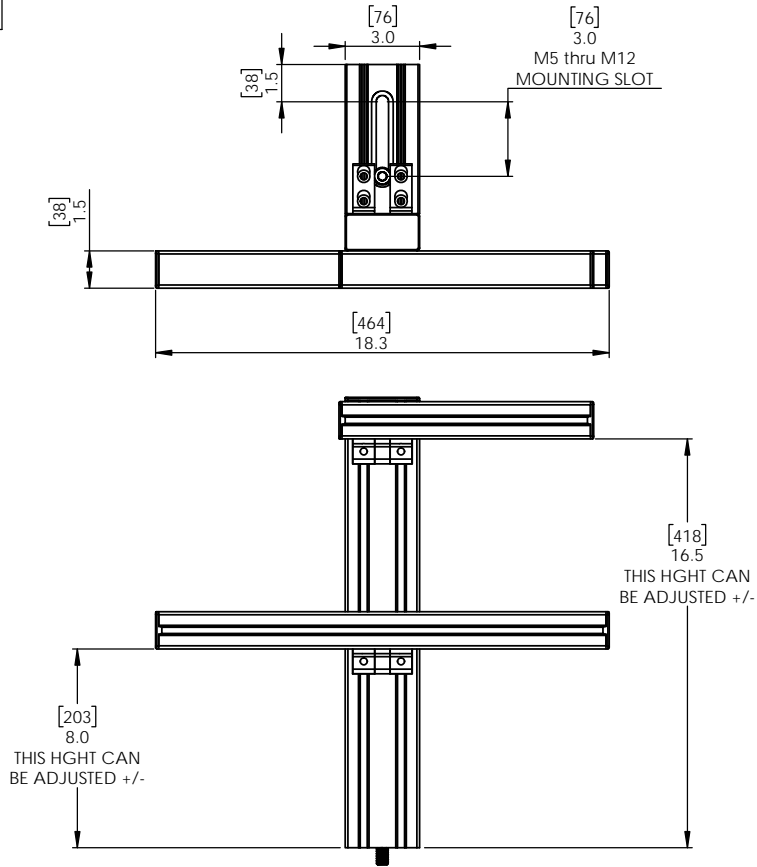


8	7	6	5	4	3	2	1
No. COMPONENTS IN ASSLY	OP1	OP2	OP3	OP4	OP5	OP6	

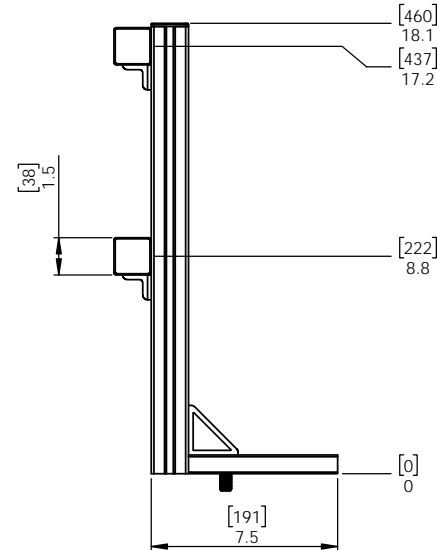
1



**Supports ZEISS Probe Sockets
(All Variations)**



TECHNICAL DRAWING



PrymeFix
fixturing solutions

155 PRAIRIE LAKE RD, SUITE A
EAST DUNDEE, IL 60118
847.428.7122

3D PRINTER PROPERTIES			
Material 1:	<input type="checkbox"/> Support	Material 2:	<input type="checkbox"/> Support
Core 1:		Core 2:	

PROPRIETARY AND CONFIDENTIAL

THE INFORMATION CONTAINED IN THIS DRAWING IS THE SOLE PROPERTY OF PRYMETECH. ANY REPRODUCTION IN PART OR AS A WHOLE WITHOUT THE WRITTEN PERMISSION OF PRYMETECH IS PROHIBITED.

1		UNLESS OTHERWISE SPECIFIED FRACTIONAL $\pm .003$ ANGULAR: ± 1.0 TWO PLACE DECIMAL $\pm .010$ THREE PLACE DECIMAL $\pm .003$ FOUR PLACE DECIMAL $\pm .0005$ (REAM) HEAT TREAT N/A MATERIAL Material <not specified> FINISH N/A No Pcs to Complete Order:	DRAWN BY: RD	DATE: 11/13/2023	
2			TITLE: ZEISS CMM DOCKING STATION (7.10.6 CONFIGURATION) SIZE B DWG. NO. DS2-ZSS-CMM-000 PRINTS REV 0		
3					
4					
5					
6					
7					
REVISION HISTORY		MACHINING PROPERTIES	INCH UNITS	SCALE: 1:5 WEIGHT:	SHEET 8 OF 9

FILE NAME	DS2-ZSS-CMM-000
DIRECTORY	P:\Manufacturing\PrymeFix Product Line\DS1 Docking Stations\DS2-ZSS-CMM-000\

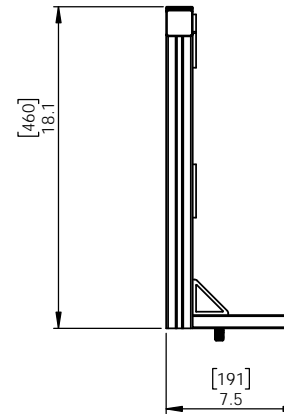
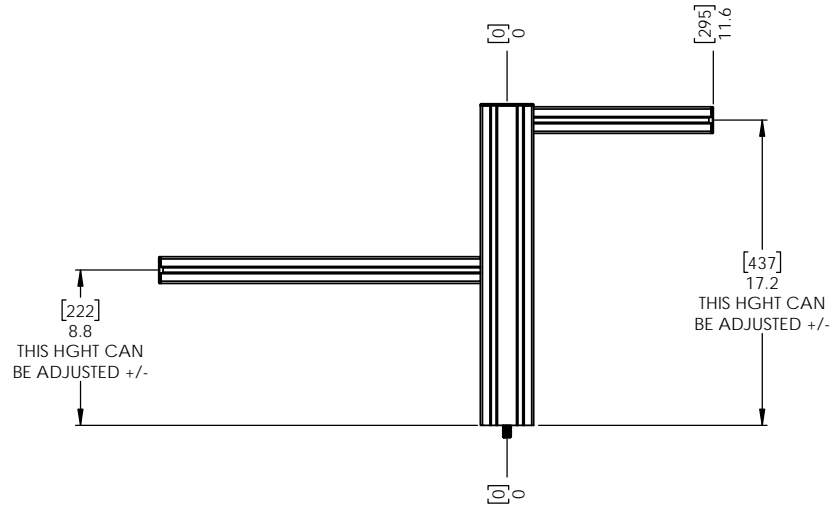
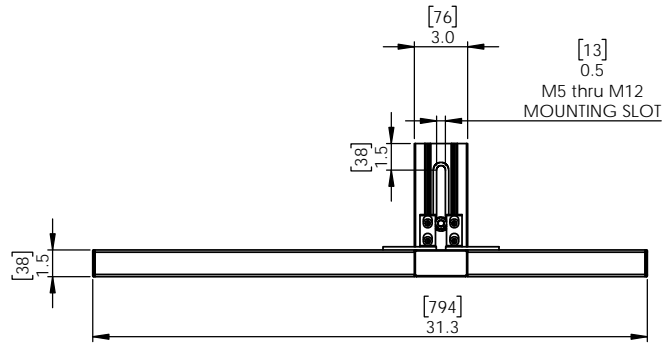
8	7	6	5	4	3	2	1
No. COMPONENTS IN ASSLY	OP1	OP2	OP3	OP4	OP5	OP6	

1

**Supports ZEISS Probe Sockets
(All Variations)**



TECHNICAL DRAWING



PrymeFix
fixturing solutions

155 PRAIRIE LAKE RD, SUITE A
EAST DUNDEE, IL 60118
847.428.7122

3D PRINTER PROPERTIES			
Material 1:	<input type="checkbox"/> Support	Material 2:	<input type="checkbox"/> Support
Core 1:		Core 2:	

PROPRIETARY AND CONFIDENTIAL

THE INFORMATION CONTAINED IN THIS DRAWING IS THE SOLE PROPERTY OF PRYMEFIX. ANY REPRODUCTION IN PART OR AS A WHOLE WITHOUT THE WRITTEN PERMISSION OF PRYMEFIX IS PROHIBITED.

1	
2	
3	
4	
5	
6	
7	

UNLESS OTHERWISE SPECIFIED	
FRACTIONAL $\pm .003$ ANGULAR: ± 1.0 TWO PLACE DECIMAL $\pm .010$ THREE PLACE DECIMAL $\pm .003$ FOUR PLACE DECIMAL $\pm .0005$ (REAM)	
HEAT TREAT	N/A
MATERIAL	Material <not specified>
FINISH	N/A
No Pcs to Complete Order:	

DRAWN BY:	RD	DATE	11/13/2023
TITLE: ZEISS CMM DOCKING STATION (9.12.8 CONFIG)			
SIZE	B	DWG. NO.	DS2-ZSS-CMM-000 PRINTS
		REV	0

FILE NAME	DS2-ZSS-CMM-000
DIRECTORY	P:\Manufacturing\PrymeFix Product Line\DS1 Docking Stations\DS2-ZSS-CMM-000\

REVISION HISTORY	MACHINING PROPERTIES	INCH UNITS	SCALE: 1:10	WEIGHT:	SHEET 9 OF 9
------------------	----------------------	------------	-------------	---------	--------------