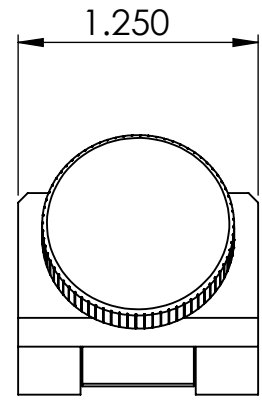
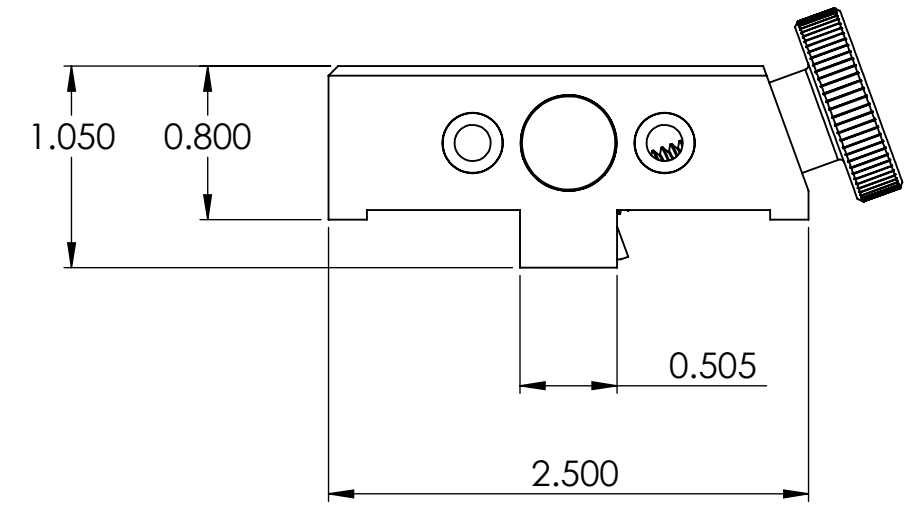
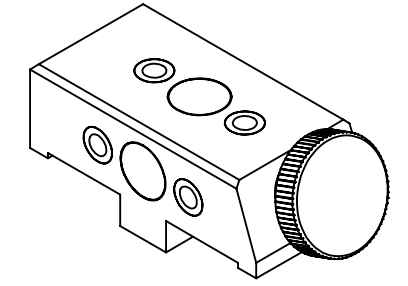
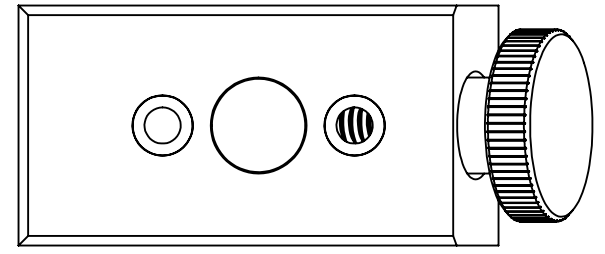


No. COMPONENTS IN ASSLY 1	OP1	OP2	OP3	OP4	OP5	OP6	1
-------------------------------------	-----	-----	-----	-----	-----	-----	---



155 PRAIRIE LAKE RD, SUITE A
EAST DUNDEE, IL 60118
847.428.7122

FILE NAME OC1-PRY-STD-000
DIRECTORY P:\Manufacturing\PrymeFix Product Line\OC Optical Comparator\OC1-PRY-STD-001\

3D PRINTER PROPERTIES	
Material 1: <input type="checkbox"/> Support	Material 2: <input type="checkbox"/> Support
Core 1:	Core 2:

PROPRIETARY AND CONFIDENTIAL

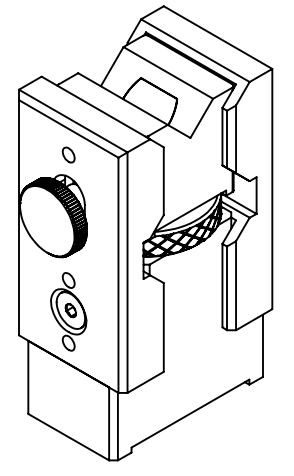
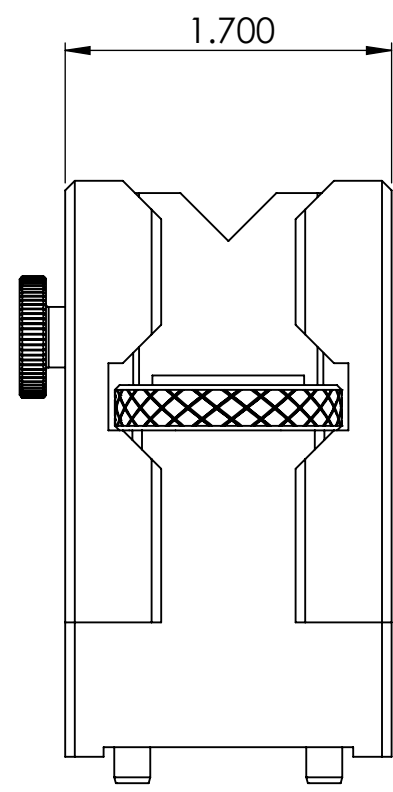
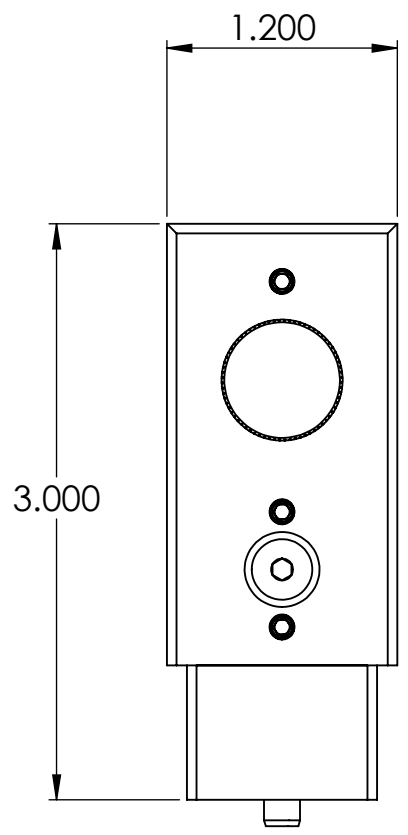
THE INFORMATION CONTAINED IN THIS DRAWING IS THE SOLE PROPERTY OF PRYMEFIX. ANY REPRODUCTION IN PART OR AS A WHOLE WITHOUT THE WRITTEN PERMISSION OF PRYMEFIX IS PROHIBITED.

1	
2	
3	
4	
5	
6	
7	

UNLESS OTHERWISE SPECIFIED	
FRACTIONAL ± .003 ANGULAR: ± 1.0 TWO PLACE DECIMAL ± .010 THREE PLACE DECIMAL ± .003 FOUR PLACE DECIMAL ± .0005 (REAM)	
HEAT TREAT N/A	No Pcs to Complete Order:
MATERIAL Material <not specified>	
FINISH N/A	

DRAWN BY: AK	DATE: 6/20/2022
TITLE: OC1 MODULAR BASE ASSEMBLY	
SIZE B	DWG. NO. OC0-PRY-STD-000 DIAGRAMS
SCALE: 1:1	WEIGHT: 0
SHEET 1 OF 13	

No. COMPONENTS IN ASSLY 1	OP1	OP2	OP3	OP4	OP5	OP6	
-------------------------------------	-----	-----	-----	-----	-----	-----	--



155 PRAIRIE LAKE RD, SUITE A
EAST DUNDEE, IL 60118
847.428.7122

FILE NAME OC2-PRY-STD-001
DIRECTORY P:\Manufacturing\PrymeFix Product Line\OC Optical Comparator\OC2-PRY-STD-001\

3D PRINTER PROPERTIES	
Material 1: <input type="checkbox"/> Support	Material 2: <input type="checkbox"/> Support
Core 1:	Core 2:

PROPRIETARY AND CONFIDENTIAL

THE INFORMATION CONTAINED IN THIS DRAWING IS THE SOLE PROPERTY OF PRYMEFIX. ANY REPRODUCTION IN PART OR AS A WHOLE WITHOUT THE WRITTEN PERMISSION OF PRYMEFIX IS PROHIBITED.

1	
2	
3	
4	
5	
6	
7	

UNLESS OTHERWISE SPECIFIED	
FRACTIONAL ± .003 ANGULAR: ± 1.0 TWO PLACE DECIMAL ± .010 THREE PLACE DECIMAL ± .003 FOUR PLACE DECIMAL ± .0005 (REAM)	
HEAT TREAT N/A	No Pcs to Complete Order:
MATERIAL Material <not specified>	
FINISH N/A	

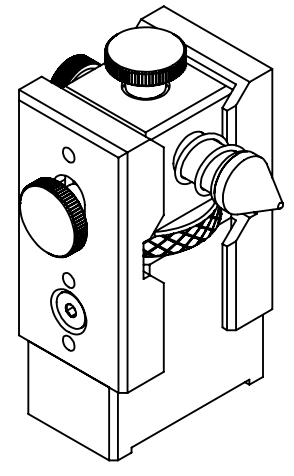
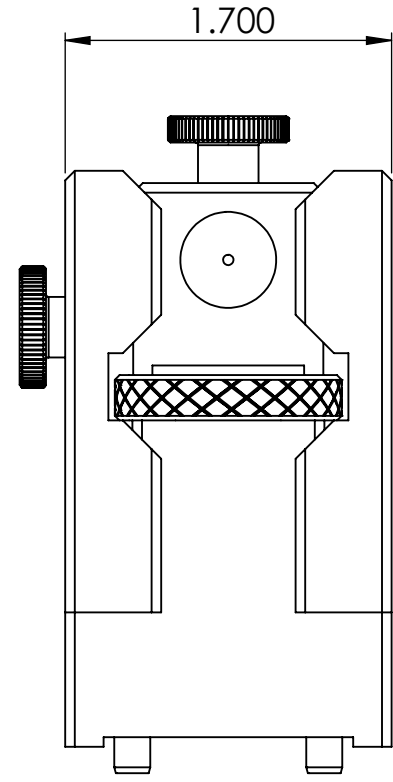
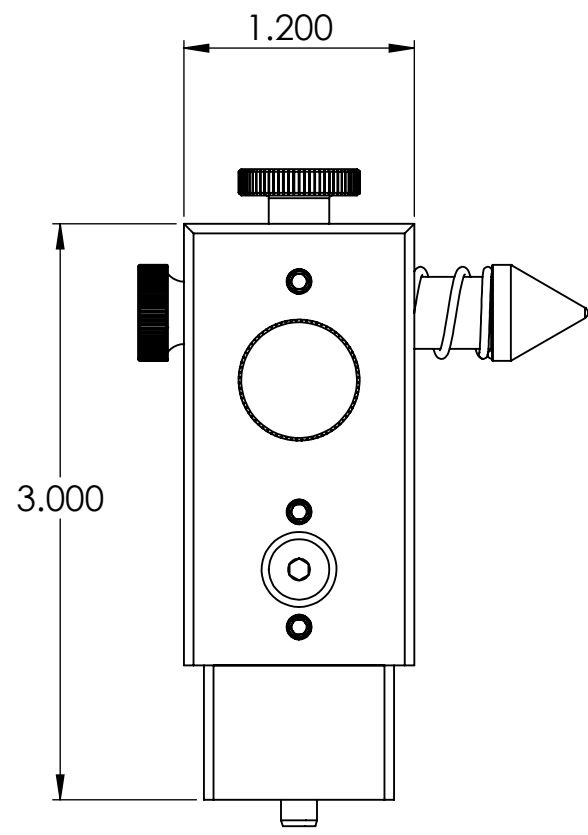
DRAWN BY: AK	DATE: 6/20/2022
TITLE: OC2 V-BLOCK ASSEMBLY	
SIZE B	DWG. NO. OC0-PRY-STD-000 DIAGRAMS
SCALE: 1:1	WEIGHT: 0
SHEET 2 OF 13	

REVISION HISTORY

MACHINING PROPERTIES

INCH UNITS

No. COMPONENTS IN ASSLY 1	OP1	OP2	OP3	OP4	OP5	OP6	
-------------------------------------	-----	-----	-----	-----	-----	-----	--



155 PRAIRIE LAKE RD, SUITE A
EAST DUNDEE, IL 60118
847.428.7122

FILE NAME
OC2-PRY-STD-001

DIRECTORY
P:\Manufacturing\PrymeFix Product Line\OC Optical Comparator\OC2-PRY-STD-001\

3D PRINTER PROPERTIES	
Material 1: <input type="checkbox"/> Support	Material 2: <input type="checkbox"/> Support
Core 1:	Core 2:

PROPRIETARY AND CONFIDENTIAL

THE INFORMATION CONTAINED IN THIS DRAWING IS THE SOLE PROPERTY OF PRYMEFIX. ANY REPRODUCTION IN PART OR AS A WHOLE WITHOUT THE WRITTEN PERMISSION OF PRYMEFIX IS PROHIBITED.

1	
2	
3	
4	
5	
6	
7	

UNLESS OTHERWISE SPECIFIED	
FRACTIONAL ± .003 ANGULAR: ± 1.0 TWO PLACE DECIMAL ± .010 THREE PLACE DECIMAL ± .003 FOUR PLACE DECIMAL ± .0005 (REAM)	
HEAT TREAT N/A	No Pcs to Complete Order:
MATERIAL Material <not specified>	
FINISH N/A	

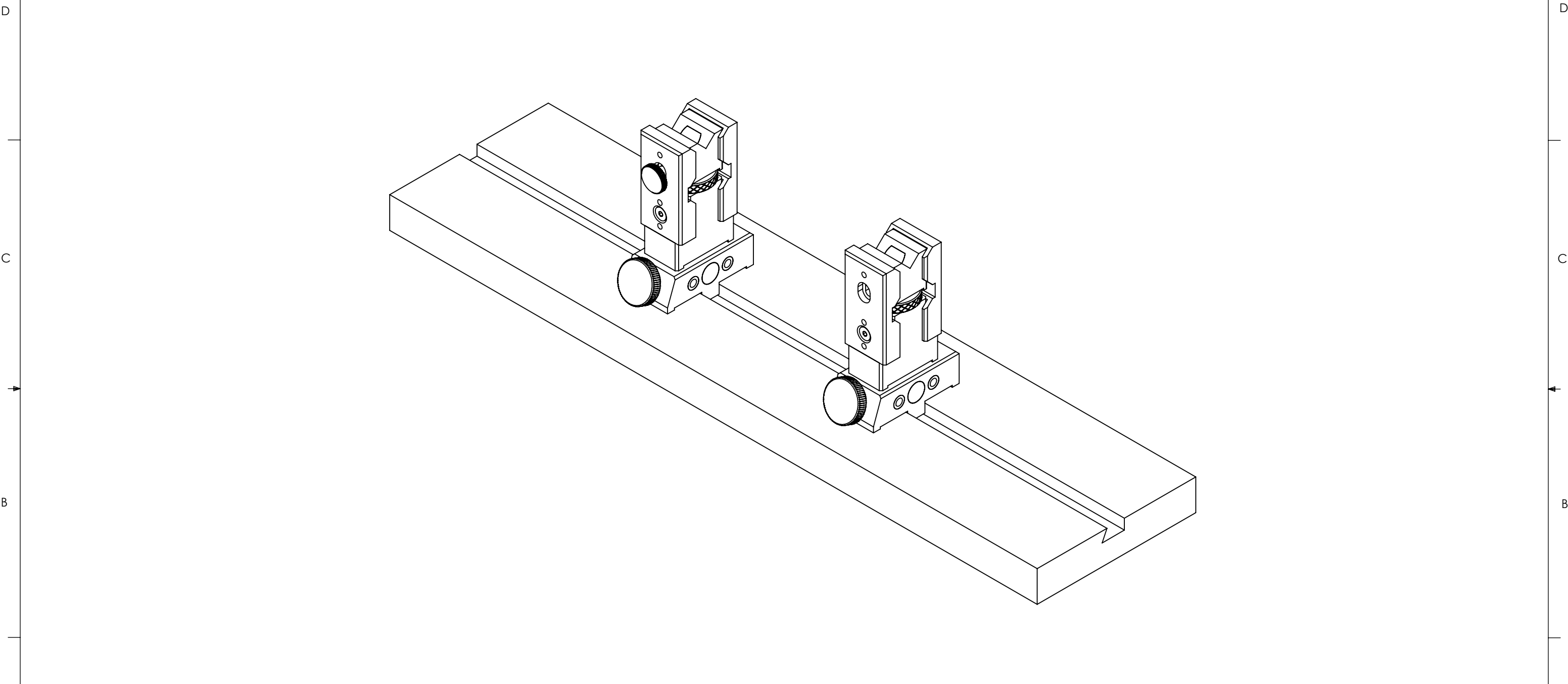
DRAWN BY: AK	DATE: 6/20/2022
TITLE: OC2 CENTERS ASSEMBLY	
SIZE B	DWG. NO. OC0-PRY-STD-000 DIAGRAMS
SCALE: 1:1	WEIGHT:
	SHEET 3 OF 13

REVISION HISTORY

MACHINING PROPERTIES

INCH UNITS

No. COMPONENTS IN ASSLY	OP1	OP2	OP3	OP4	OP5	OP6	
1							



PrymeFix
fixturing solutions

155 PRAIRIE LAKE RD, SUITE A
EAST DUNDEE, IL 60118
847.428.7122

FILE NAME
OC0-PRY-STD-000

DIRECTORY
P:\Manufacturing\PrymeFix Product Line\OC Optical Comparator\

3D PRINTER PROPERTIES	
Material 1: <input type="checkbox"/> Support	Material 2: <input type="checkbox"/> Support
Core 1:	Core 2:

PROPRIETARY AND CONFIDENTIAL

THE INFORMATION CONTAINED IN THIS DRAWING IS THE SOLE PROPERTY OF PRYMEFIX. ANY REPRODUCTION IN PART OR AS A WHOLE WITHOUT THE WRITTEN PERMISSION OF PRYMEFIX IS PROHIBITED.

1	
2	
3	
4	
5	
6	
7	

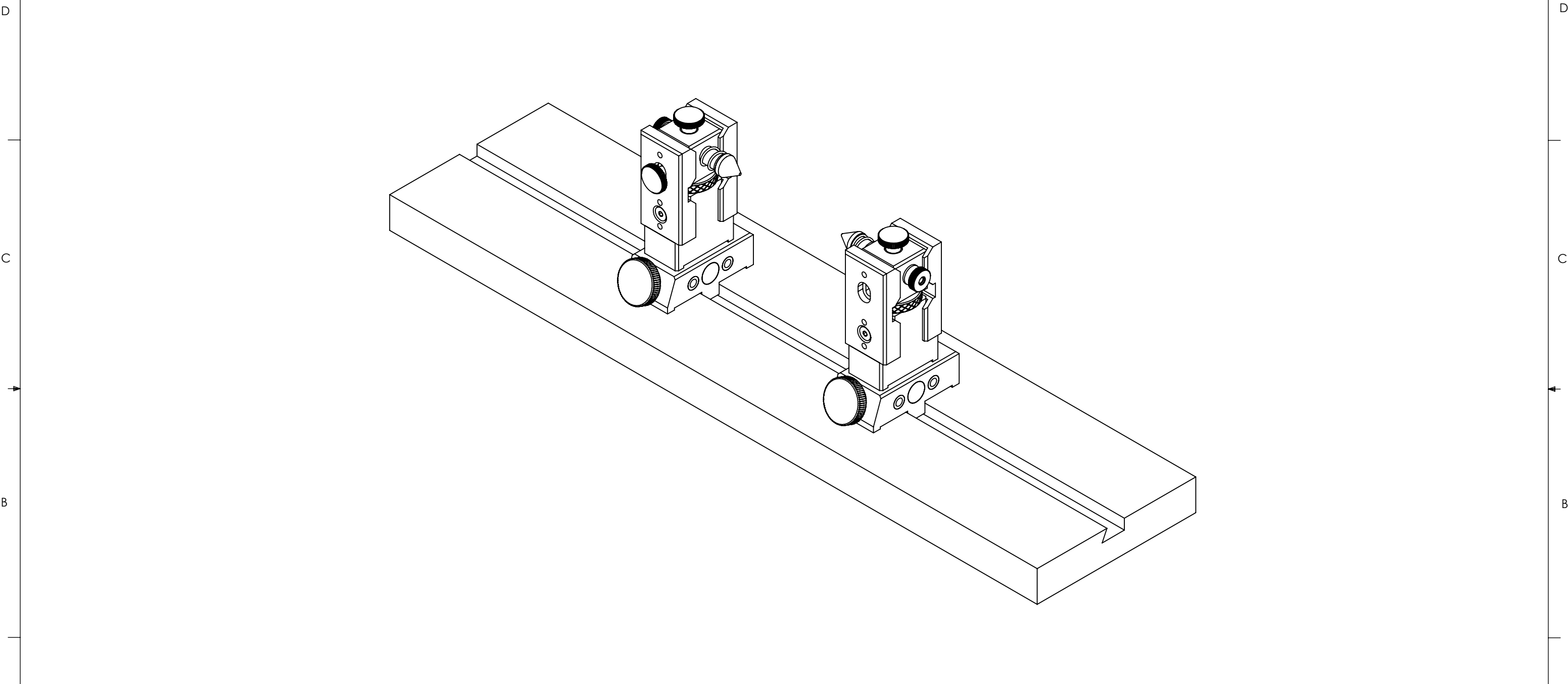
REVISION HISTORY

UNLESS OTHERWISE SPECIFIED	
FRACTIONAL ± .003 ANGULAR: ± 1.0 TWO PLACE DECIMAL ± .010 THREE PLACE DECIMAL ± .003 FOUR PLACE DECIMAL ± .0005 (REAM)	
HEAT TREAT N/A	No Pcs to Complete Order:
MATERIAL Material <not specified>	
FINISH N/A	

MACHINING PROPERTIES

DRAWN BY: AK	DATE: 6/20/2022
TITLE: OC2-100: V-Block	
SIZE B	DWG. NO. OC0-PRY-STD-000
	DIAGRAMS
REV 0	
SCALE: 1:2	WEIGHT:
SHEET 5 OF 13	

No. COMPONENTS IN ASSLY	OP1	OP2	OP3	OP4	OP5	OP6	
1							



PrymeFix
fixturing solutions

155 PRAIRIE LAKE RD, SUITE A
EAST DUNDEE, IL 60118
847.428.7122

FILE NAME
OC0-PRY-STD-000

DIRECTORY
P:\Manufacturing\PrymeFix Product Line\OC Optical Comparator\

3D PRINTER PROPERTIES	
Material 1: <input type="checkbox"/> Support	Material 2: <input type="checkbox"/> Support
Core 1:	Core 2:

PROPRIETARY AND CONFIDENTIAL

THE INFORMATION CONTAINED IN THIS DRAWING IS THE SOLE PROPERTY OF PRYMEFIX. ANY REPRODUCTION IN PART OR AS A WHOLE WITHOUT THE WRITTEN PERMISSION OF PRYMEFIX IS PROHIBITED.

1	
2	
3	
4	
5	
6	
7	

UNLESS OTHERWISE SPECIFIED	
FRACTIONAL ± .003 ANGULAR: ± 1.0 TWO PLACE DECIMAL ± .010 THREE PLACE DECIMAL ± .003 FOUR PLACE DECIMAL ± .0005 (REAM)	
HEAT TREAT N/A	No Pcs to Complete Order:
MATERIAL Material <not specified>	
FINISH N/A	

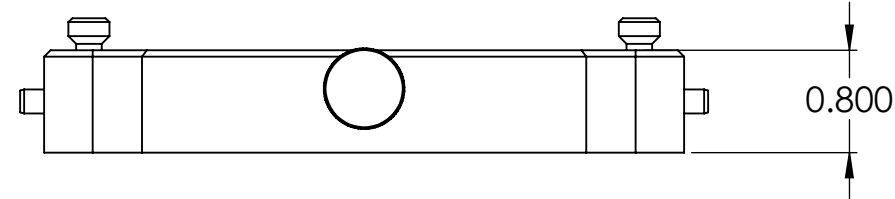
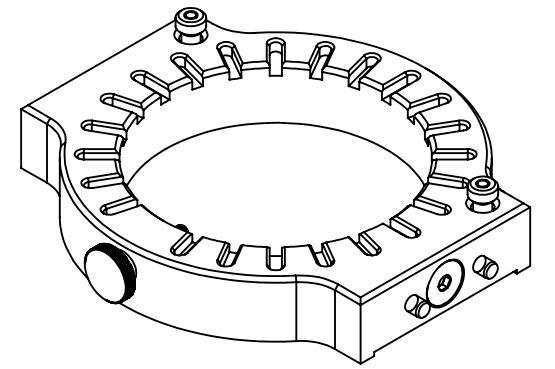
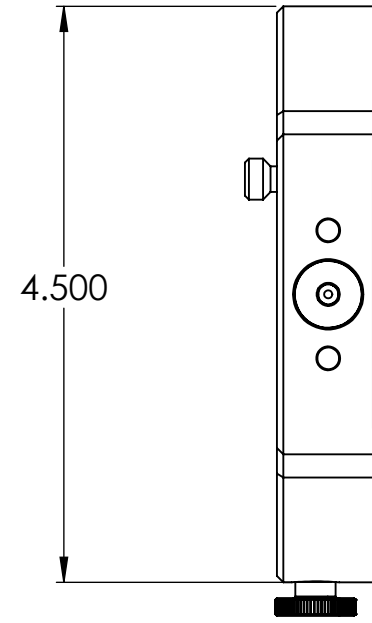
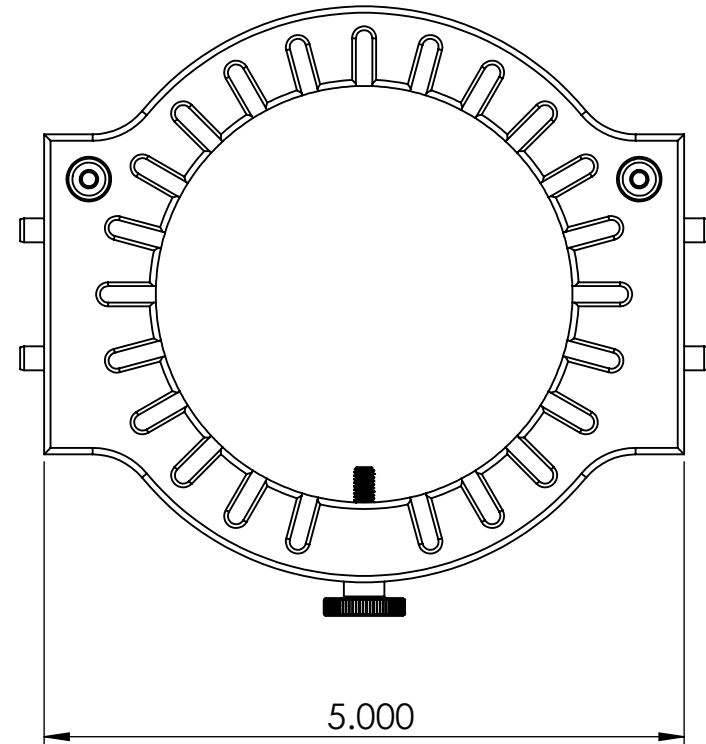
DRAWN BY: **AK** DATE: **6/20/2022**

TITLE:
OC2-101: Centers

SIZE B	DWG. NO. OC0-PRY-STD-000 DIAGRAMS	REV 0
---------------	---	--------------

REVISION HISTORY	MACHINING PROPERTIES	INCH UNITS	SCALE: 1:2	WEIGHT:	SHEET 6 OF 13
------------------	----------------------	------------	------------	---------	---------------

No. COMPONENTS IN ASSLY	OP1	OP2	OP3	OP4	OP5	OP6
1						



PrymeFix
fixturing solutions

155 PRAIRIE LAKE RD, SUITE A
EAST DUNDEE, IL 60118
847.428.7122

FILE NAME
OC3-PRY-STD-001

DIRECTORY
P:\Manufacturing\PrymeFix Product Line\OC Optical Comparator\OC3-PRY-STD-001\

3D PRINTER PROPERTIES	
Material 1: <input type="checkbox"/> Support	Material 2: <input type="checkbox"/> Support
Core 1:	Core 2:

PROPRIETARY AND CONFIDENTIAL

THE INFORMATION CONTAINED IN THIS DRAWING IS THE SOLE PROPERTY OF PRYMEFIX. ANY REPRODUCTION IN PART OR AS A WHOLE WITHOUT THE WRITTEN PERMISSION OF PRYMEFIX IS PROHIBITED.

1	
2	
3	
4	
5	
6	
7	

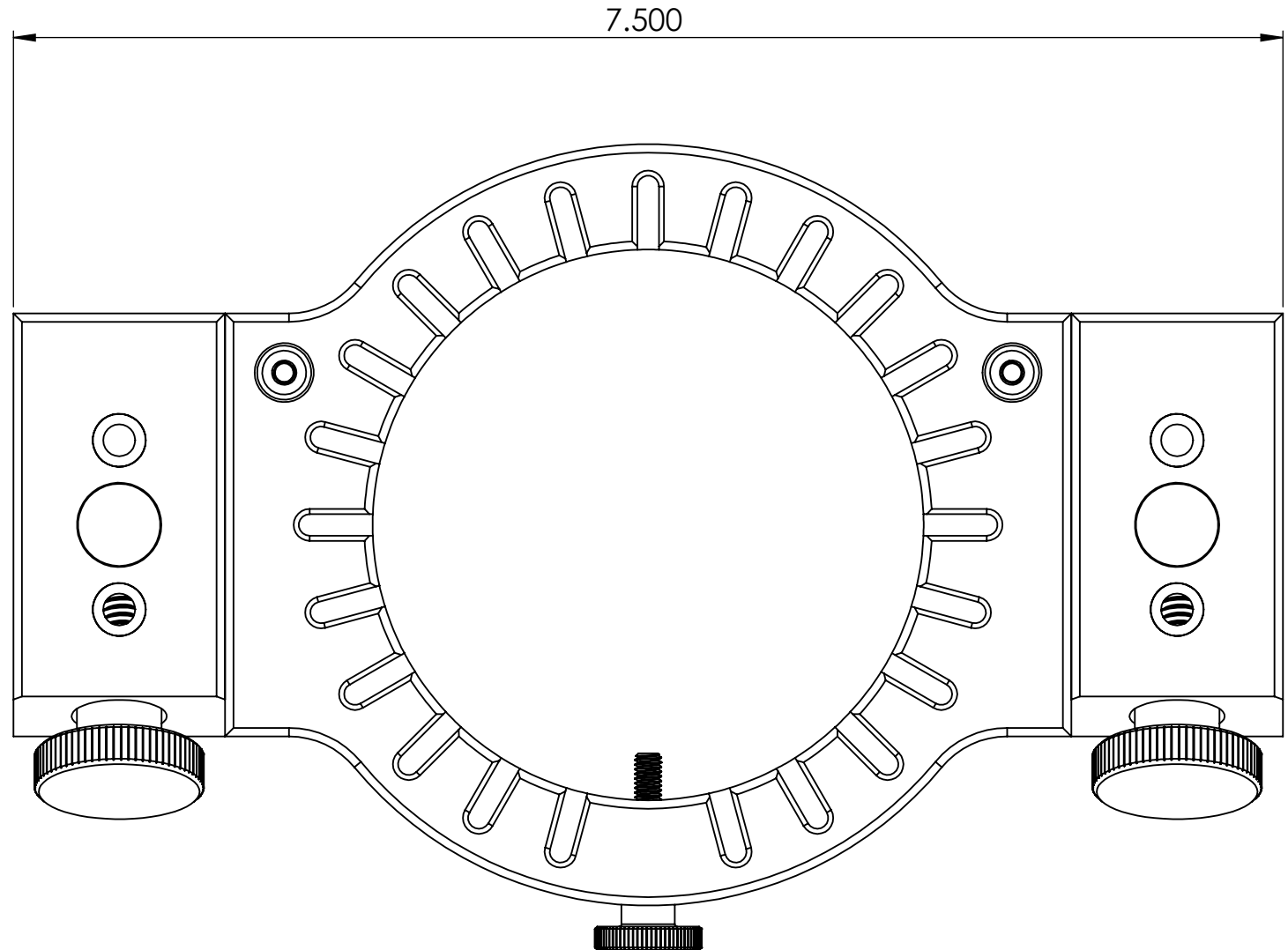
REVISION HISTORY

UNLESS OTHERWISE SPECIFIED	
FRACTIONAL ± .003 ANGULAR: ± 1.0 TWO PLACE DECIMAL ± .010 THREE PLACE DECIMAL ± .003 FOUR PLACE DECIMAL ± .0005 (REAM)	
HEAT TREAT N/A	No Pcs to Complete Order:
MATERIAL Material <not specified>	
FINISH N/A	

MACHINING PROPERTIES

DRAWN BY: AK	DATE: 2/4/2019
TITLE: OC3 VERTICAL BASE ASSEMBLY	
SIZE B	DWG. NO. OC0-PRY-STD-000
	DIAGRAMS
REV 0	
SCALE: 2:3	WEIGHT:
SHEET 7 OF 13	

8	7	6	5	4	3	2	1
No. COMPONENTS IN ASSLY	OP1	OP2	OP3	OP4	OP5	OP6	
1							



PrymeFix
fixturing solutions

155 PRAIRIE LAKE RD, SUITE A
EAST DUNDEE, IL 60118
847.428.7122

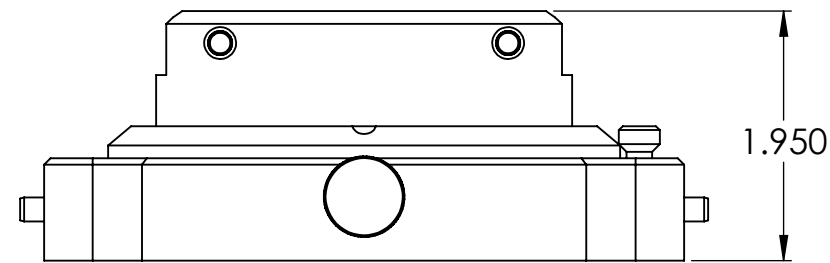
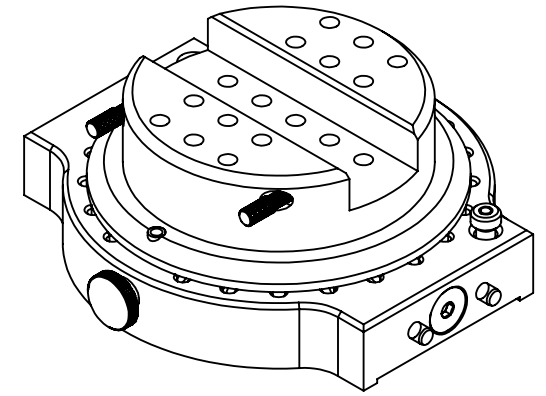
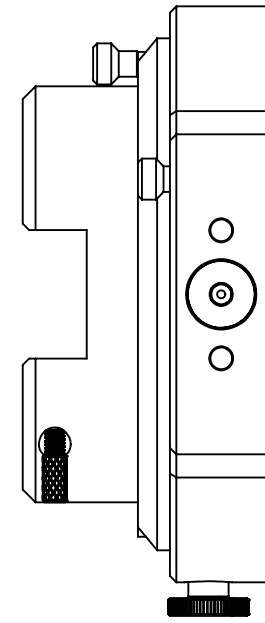
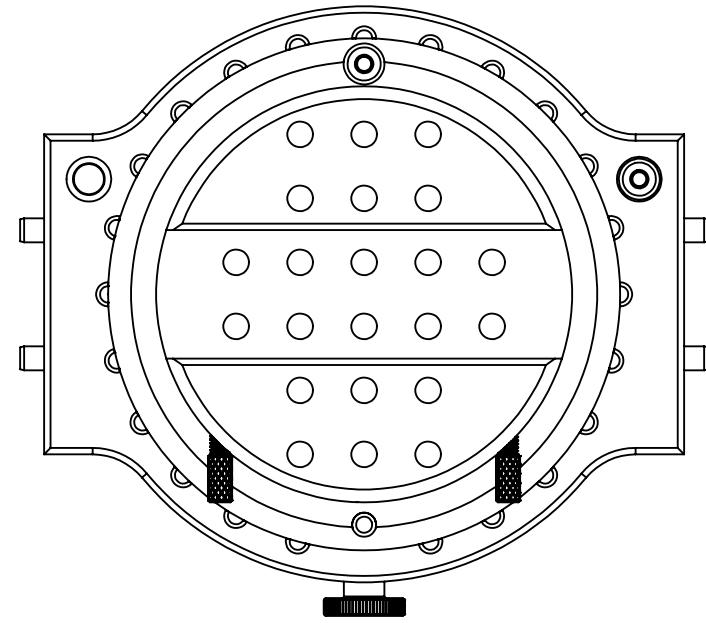
FILE NAME OC0-PRY-STD-000	3D PRINTER PROPERTIES	<p>PROPRIETARY AND CONFIDENTIAL</p> <p>THE INFORMATION CONTAINED IN THIS DRAWING IS THE SOLE PROPERTY OF PRYMEFIX. ANY REPRODUCTION IN PART OR AS A WHOLE WITHOUT THE WRITTEN PERMISSION OF PRYMEFIX IS PROHIBITED.</p>								
DIRECTORY P:\Manufacturing\PrymeFix Product Line\OC Optical Comparator\	<table border="1"> <tr> <td>Material 1:</td> <td><input type="checkbox"/> Support</td> <td>Material 2:</td> <td><input type="checkbox"/> Support</td> </tr> <tr> <td>Core 1:</td> <td></td> <td>Core 2:</td> <td></td> </tr> </table>		Material 1:	<input type="checkbox"/> Support	Material 2:	<input type="checkbox"/> Support	Core 1:		Core 2:	
Material 1:	<input type="checkbox"/> Support		Material 2:	<input type="checkbox"/> Support						
Core 1:		Core 2:								

1	
2	
3	
4	
5	
6	
7	

UNLESS OTHERWISE SPECIFIED	
FRACTIONAL ± .003 ANGULAR: ± 1.0 TWO PLACE DECIMAL ± .010 THREE PLACE DECIMAL ± .003 FOUR PLACE DECIMAL ± .0005 (REAM)	
HEAT TREAT	N/A
MATERIAL	Material <not specified>
FINISH	N/A
No Pcs to Complete Order:	

DRAWN BY:	AK	DATE	6/20/2022
TITLE: OC1 & OC3 ASSEMBLY			
SIZE	DWG. NO.	REV	
B	OC0-PRY-STD-000 DIAGRAMS	0	
SCALE: 1:1	WEIGHT:	SHEET 8 OF 13	

No. COMPONENTS IN ASSLY	OP1	OP2	OP3	OP4	OP5	OP6
1						



PrymeFix
fixturing solutions

155 PRAIRIE LAKE RD, SUITE A
EAST DUNDEE, IL 60118
847.428.7122

FILE NAME
OC3-PRY-STD-001
DIRECTORY
P:\Manufacturing\PrymeFix Product Line\OC Optical Comparator\OC3-PRY-STD-001\

3D PRINTER PROPERTIES	
Material 1: <input type="checkbox"/> Support	Material 2: <input type="checkbox"/> Support
Core 1:	Core 2:

PROPRIETARY AND CONFIDENTIAL

THE INFORMATION CONTAINED IN THIS DRAWING IS THE SOLE PROPERTY OF PRYMEFIX. ANY REPRODUCTION IN PART OR AS A WHOLE WITHOUT THE WRITTEN PERMISSION OF PRYMEFIX IS PROHIBITED.

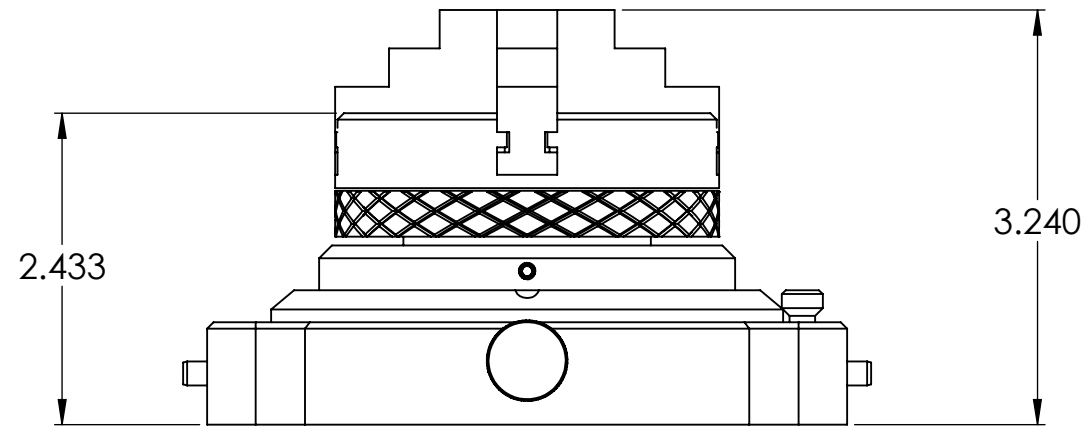
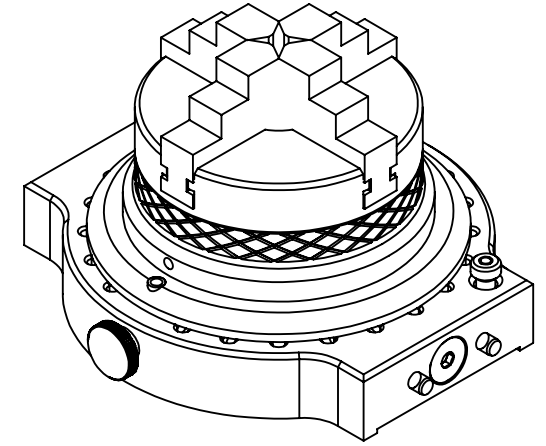
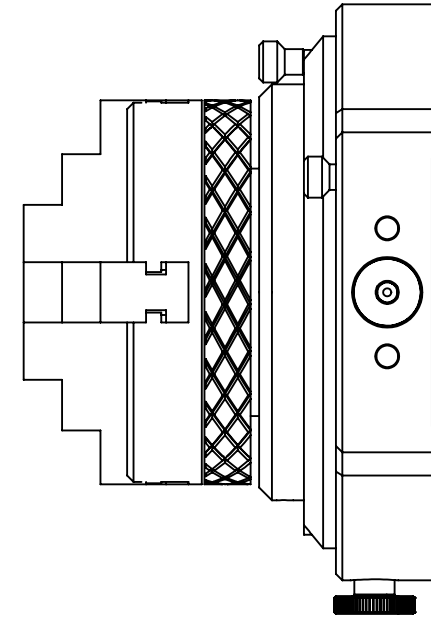
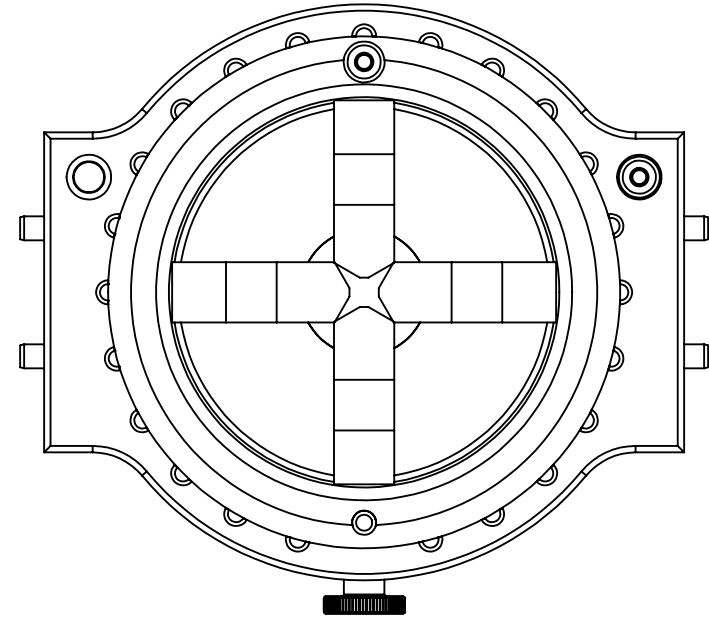
1	
2	
3	
4	
5	
6	
7	

UNLESS OTHERWISE SPECIFIED	
FRACTIONAL ± .003 ANGULAR: ± 1.0 TWO PLACE DECIMAL ± .010 THREE PLACE DECIMAL ± .003 FOUR PLACE DECIMAL ± .0005 (REAM)	
HEAT TREAT N/A	No Pcs to Complete Order:
MATERIAL Material <not specified>	
FINISH N/A	

DRAWN BY: AK	DATE: 2/4/2019
TITLE: OC3 UNIVERSAL ROTARY ASSEMBLY	
SIZE B	DWG. NO. OC0-PRY-STD-000 DIAGRAMS
REV 0	
SCALE: 2:3	WEIGHT:
SHEET 9 OF 13	

REVISION HISTORY	MACHINING PROPERTIES	INCH UNITS
------------------	----------------------	------------

8	7	6	5	4	3	2	1
No. COMPONENTS IN ASSLY 1	OP1	OP2	OP3	OP4	OP5	OP6	



PrymeFix
fixturing solutions

155 PRAIRIE LAKE RD, SUITE A
EAST DUNDEE, IL 60118
847.428.7122

FILE NAME
OC3-PRY-STD-001
DIRECTORY
P:\Manufacturing\PrymeFix Product Line\OC Optical Comparator\OC3-PRY-STD-001\

3D PRINTER PROPERTIES			
Material 1:	<input type="checkbox"/> Support	Material 2:	<input type="checkbox"/> Support
Core 1:		Core 2:	

PROPRIETARY AND CONFIDENTIAL

THE INFORMATION CONTAINED IN THIS DRAWING IS THE SOLE PROPERTY OF PRYMEFIX. ANY REPRODUCTION IN PART OR AS A WHOLE WITHOUT THE WRITTEN PERMISSION OF PRYMEFIX IS PROHIBITED.

1	
2	
3	
4	
5	
6	
7	

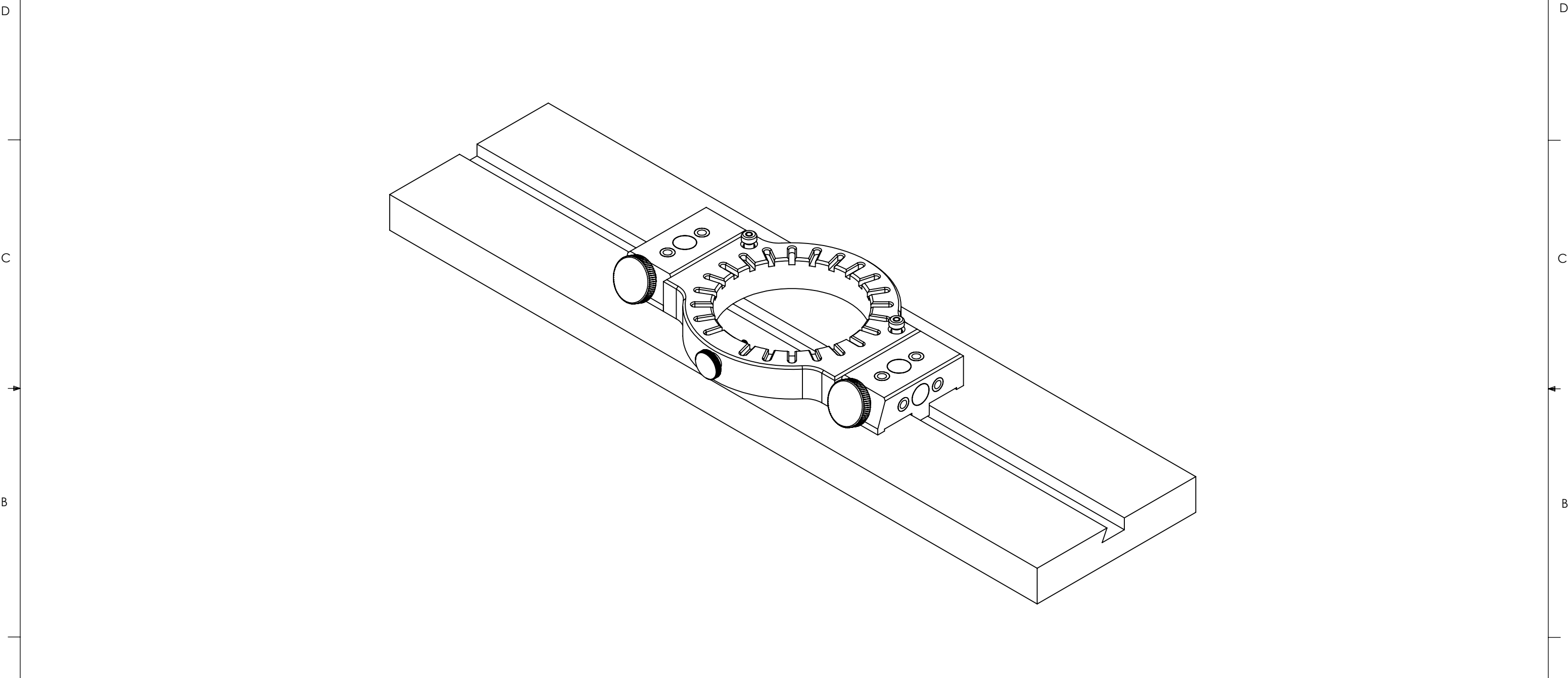
REVISION HISTORY

UNLESS OTHERWISE SPECIFIED	
FRACTIONAL $\pm .003$ ANGULAR: ± 1.0 TWO PLACE DECIMAL $\pm .010$ THREE PLACE DECIMAL $\pm .003$ FOUR PLACE DECIMAL $\pm .0005$ (REAM)	
HEAT TREAT N/A	No Pcs to Complete Order:
MATERIAL Material <not specified>	
FINISH N/A	

MACHINING PROPERTIES

DRAWN BY:	AK	DATE	2/4/2019
TITLE: OC3 CHUCK ROTARY ASSEMBLY			
SIZE	DWG. NO.	REV	
B	OC0-PRY-STD-000 DIAGRAMS	0	
SCALE: 2:3	WEIGHT:	SHEET 10 OF 13	

No. COMPONENTS IN ASSLY	OP1	OP2	OP3	OP4	OP5	OP6	1
1							



PrymeFix
fixturing solutions

155 PRAIRIE LAKE RD, SUITE A
EAST DUNDEE, IL 60118
847.428.7122

FILE NAME
OC0-PRY-STD-000

DIRECTORY
P:\Manufacturing\PrymeFix Product Line\OC Optical Comparator\

3D PRINTER PROPERTIES	
Material 1: <input type="checkbox"/> Support	Material 2: <input type="checkbox"/> Support
Core 1:	Core 2:

PROPRIETARY AND CONFIDENTIAL

THE INFORMATION CONTAINED IN THIS DRAWING IS THE SOLE PROPERTY OF PRYMETECH. ANY REPRODUCTION IN PART OR AS A WHOLE WITHOUT THE WRITTEN PERMISSION OF PRYMETECH IS PROHIBITED.

1	
2	
3	
4	
5	
6	
7	

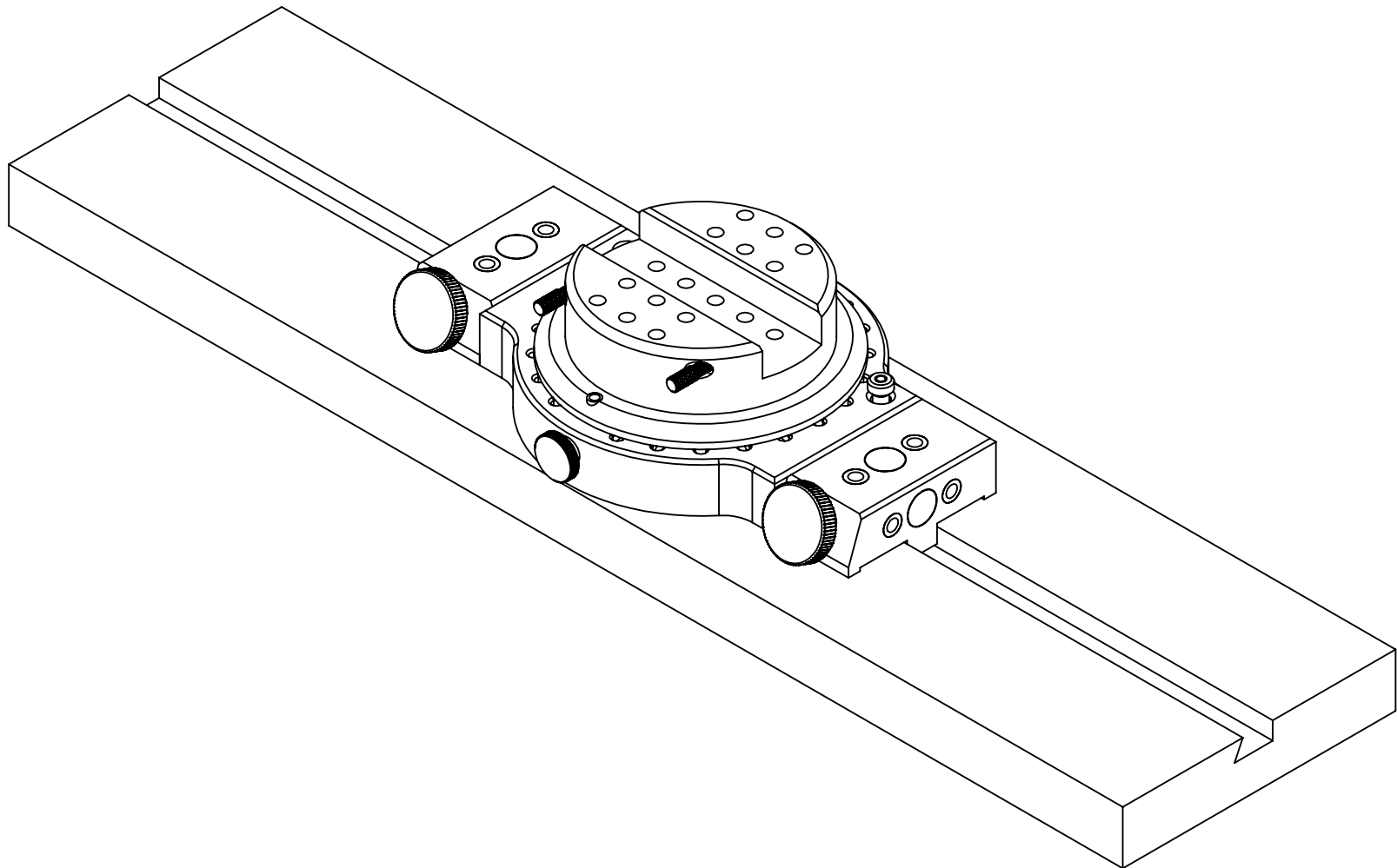
REVISION HISTORY

UNLESS OTHERWISE SPECIFIED	
FRACTIONAL ± .003 ANGULAR: ± 1.0 TWO PLACE DECIMAL ± .010 THREE PLACE DECIMAL ± .003 FOUR PLACE DECIMAL ± .0005 (REAM)	
HEAT TREAT N/A	No Pcs to Complete Order:
MATERIAL Material <not specified>	
FINISH N/A	

MACHINING PROPERTIES

DRAWN BY: AK	DATE: 6/20/2022
TITLE: OC3-100: Rotary Base	
SIZE B	DWG. NO. OC0-PRY-STD-000
	DIAGRAMS
REV 0	
SCALE: 1:2	WEIGHT:
SHEET 11 OF 13	

8	7	6	5	4	3	2	1
No. COMPONENTS IN ASSLY	OP1	OP2	OP3	OP4	OP5	OP6	
1							



D
C
B
A

D
C
B
A

PrymeFix
fixturing solutions

155 PRAIRIE LAKE RD, SUITE A
EAST DUNDEE, IL 60118
847.428.7122

3D PRINTER PROPERTIES	
Material 1: <input type="checkbox"/> Support	Material 2: <input type="checkbox"/> Support
Core 1:	Core 2:

PROPRIETARY AND CONFIDENTIAL

THE INFORMATION CONTAINED IN THIS DRAWING IS THE SOLE PROPERTY OF PRYMEFIX. ANY REPRODUCTION IN PART OR AS A WHOLE WITHOUT THE WRITTEN PERMISSION OF PRYMEFIX IS PROHIBITED.

1	
2	
3	
4	
5	
6	
7	

UNLESS OTHERWISE SPECIFIED	
FRACTIONAL $\pm .003$ ANGULAR: ± 1.0 TWO PLACE DECIMAL $\pm .010$ THREE PLACE DECIMAL $\pm .003$ FOUR PLACE DECIMAL $\pm .0005$ (REAM)	
HEAT TREAT N/A	No Pcs to Complete Order:
MATERIAL Material <not specified>	
FINISH N/A	

DRAWN BY: AK	DATE: 6/20/2022
TITLE: OC3-101: Universal Rotating Stage	
SIZE B	DWG. NO. OC0-PRY-STD-000 DIAGRAMS
REV 0	

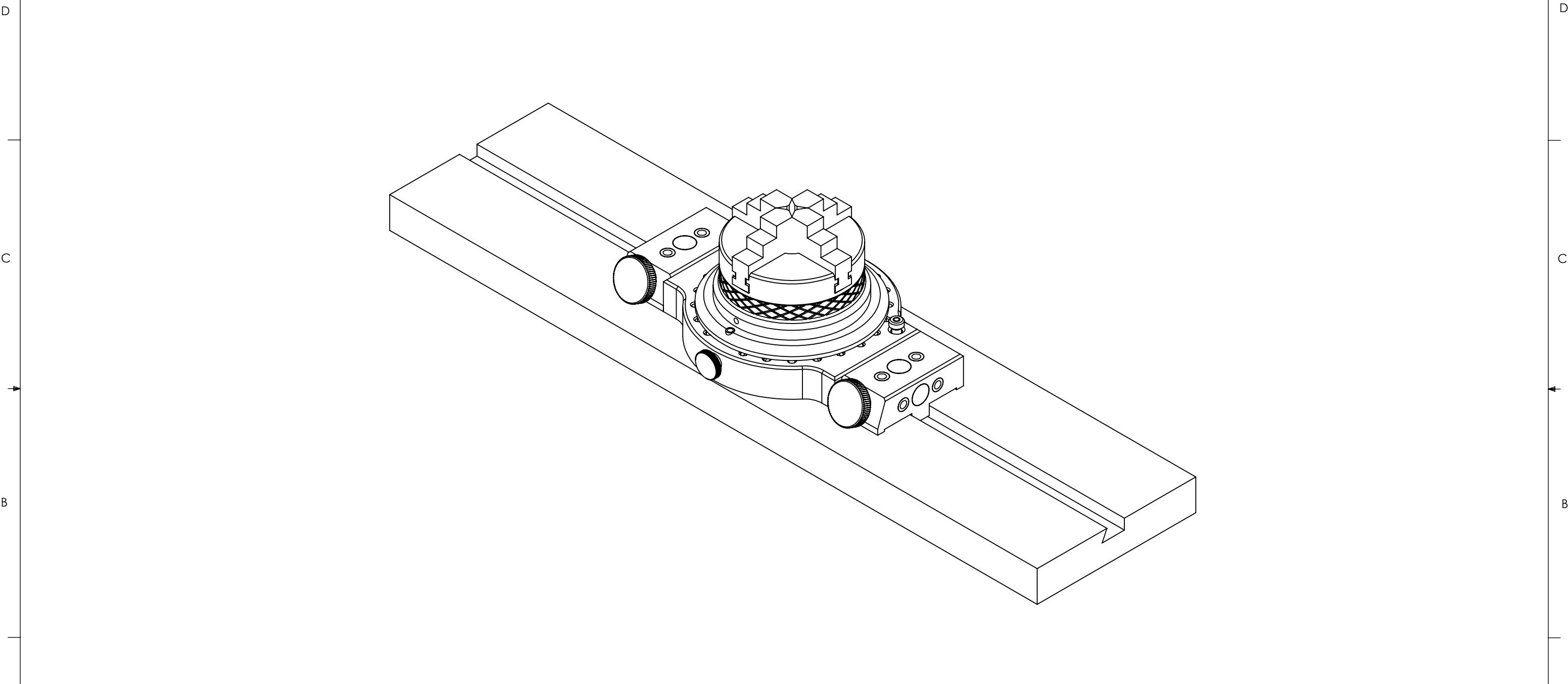
FILE NAME
OC0-PRY-STD-000

DIRECTORY
P:\Manufacturing\PrymeFix Product Line\OC Optical Comparator\

REVISION HISTORY	MACHINING PROPERTIES	INCH UNITS	SCALE: 1:2	WEIGHT:	SHEET 12 OF 13
------------------	----------------------	------------	------------	---------	----------------

8 7 6 5 4 3 2 1

No. COMPONENTS IN ASSLY	OP1	OP2	OP3	OP4	OP5	OP6	1
1							



PrymeFix
fixturing solutions

155 PRAIRIE LAKE RD, SUITE A
EAST DUNDEE, IL 60118
847.428.7122

FILE NAME OC0-PRY-STD-000	3D PRINTER PROPERTIES	<p style="text-align: center;">PROPRIETARY AND CONFIDENTIAL</p> <p style="font-size: 8pt;">THE INFORMATION CONTAINED IN THIS DRAWING IS THE SOLE PROPERTY OF PRYMETECH. ANY REPRODUCTION IN PART OR AS A WHOLE WITHOUT THE WRITTEN PERMISSION OF PRYMETECH IS PROHIBITED.</p>				
DIRECTORY P:\Manufacturing\PrymeFix Product Line\OC Optical Comparator\	<table border="1" style="width: 100%;"> <tr> <td>Material 1: <input type="checkbox"/> Support</td> <td>Material 2: <input type="checkbox"/> Support</td> </tr> <tr> <td>Core 1:</td> <td>Core 2:</td> </tr> </table>		Material 1: <input type="checkbox"/> Support	Material 2: <input type="checkbox"/> Support	Core 1:	Core 2:
Material 1: <input type="checkbox"/> Support	Material 2: <input type="checkbox"/> Support					
Core 1:	Core 2:					

1	
2	
3	
4	
5	
6	
7	

UNLESS OTHERWISE SPECIFIED	
FRACTIONAL $\pm .003$ ANGULAR: ± 1.0 TWO PLACE DECIMAL $\pm .010$ THREE PLACE DECIMAL $\pm .003$ FOUR PLACE DECIMAL $\pm .0005$ (REAM)	
HEAT TREAT N/A	No Pcs to Complete Order:
MATERIAL Material <not specified>	
FINISH N/A	

DRAWN BY: AK	DATE: 6/20/2022
TITLE: OC3-102: Rotary Chuck	
SIZE B	DWG. NO. OC0-PRY-STD-000
	DIAGRAMS
REV 0	
SCALE: 1:2	WEIGHT:
SHEET 13 OF 13	