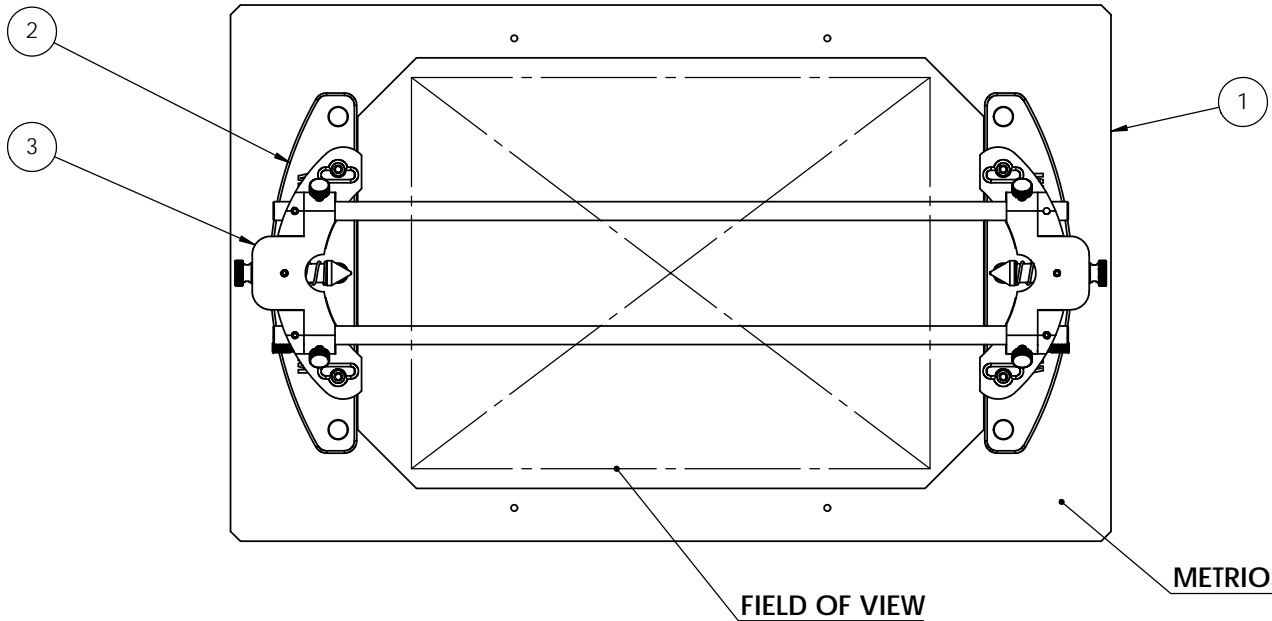


8	7	6	5	4	3	2	1
No. COMPONENTS IN ASSLY	OP1	OP2	OP3	OP4	OP5	OP6	

1	DATE ORDERED	ORDERED FROM	ITEM NO.	PART NUMBER	DESCRIPTION	I42 CENTERS/QTY.
			1	METRIOS CROSS 265200 STAGE	METRIOS CROSS STAGE	1
			2	I41-MET-CRS-000	1/2" METRIOS CROSS CENTERS RISER	2
			3	I42-PRY-STD-001 CENTERS FIXTURE	I42-PRY-STD-001 CENTERS FIXTURE	1



FIELD OF VIEW

METRIOS CROSS STAGE

PrymeFix
fixturing solutions

155 PRAIRIE LAKE RD, SUITE A
EAST DUNDEE, IL 60118
847.428.7122

3D PRINTER PROPERTIES			
Material 1:	<input type="checkbox"/> Support	Material 2:	<input type="checkbox"/> Support
Core 1:		Core 2:	

PROPRIETARY AND CONFIDENTIAL

THE INFORMATION CONTAINED IN THIS DRAWING IS THE SOLE PROPERTY OF PRYMETECH. ANY REPRODUCTION IN PART OR AS A WHOLE WITHOUT THE WRITTEN PERMISSION OF PRYMETECH IS PROHIBITED.

1	
2	
3	
4	
5	
6	
7	

UNLESS OTHERWISE SPECIFIED	
FRACTIONAL $\pm .003$ ANGULAR: ± 1.0 TWO PLACE DECIMAL $\pm .010$ THREE PLACE DECIMAL $\pm .003$ FOUR PLACE DECIMAL $\pm .0005$ (REAM)	
HEAT TREAT	N/A
MATERIAL	Material <not specified>
FINISH	N/A
No Pcs to Complete Order:	

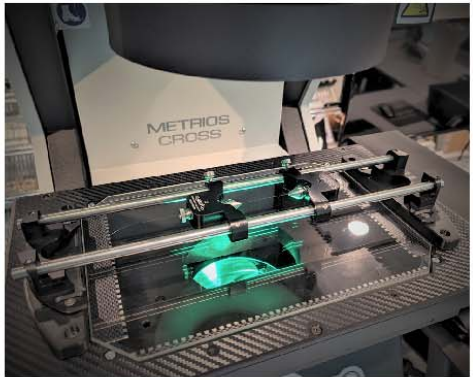
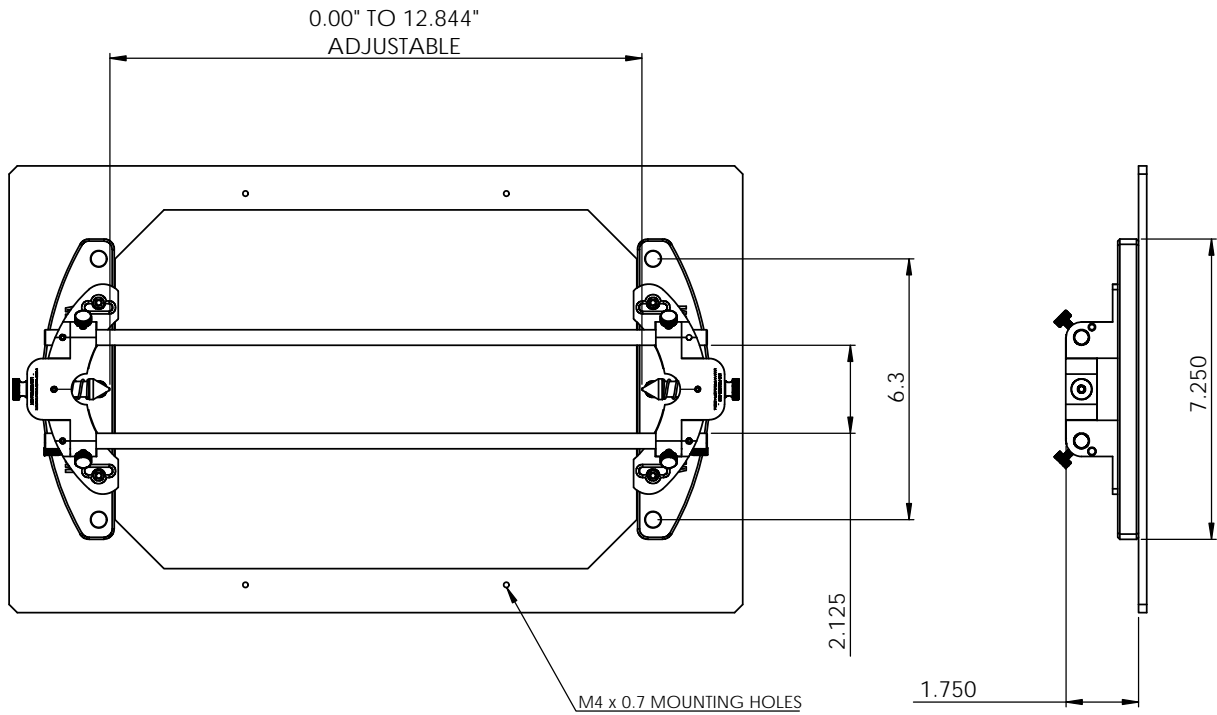
DRAWN BY:	AK	DATE	10/5/2022
TITLE:			
METRIOS CROSS, I42 CENTERS STAGE LAYOUT			
SIZE	DWG. NO.	REV	
B	B11-MET-CRS-265200	0	

FILE NAME	B11-MET-CRS-265200
DIRECTORY	P:\Manufacturing\PrymeFix Product Line\B11 Fixture Solutions\B11-MET-CRS-265200\

REVISION HISTORY	MACHINING PROPERTIES	INCH UNITS	SCALE: 1:2	WEIGHT:	SHEET 3 OF 4
------------------	----------------------	------------	------------	---------	--------------

8	7	6	5	4	3	2	1
No. COMPONENTS IN ASSLY	OP1	OP2	OP3	OP4	OP5	OP6	

1



PrymeFix
fixturing solutions

155 PRAIRIE LAKE RD, SUITE A
EAST DUNDEE, IL 60118
847.428.7122

3D PRINTER PROPERTIES			
Material 1:	<input type="checkbox"/> Support	Material 2:	<input type="checkbox"/> Support
Core 1:		Core 2:	

PROPRIETARY AND CONFIDENTIAL

THE INFORMATION CONTAINED IN THIS DRAWING IS THE SOLE PROPERTY OF PRYMETECH. ANY REPRODUCTION IN PART OR AS A WHOLE WITHOUT THE WRITTEN PERMISSION OF PRYMETECH IS PROHIBITED.

1	
2	
3	
4	
5	
6	
7	

UNLESS OTHERWISE SPECIFIED

FRACTIONAL $\pm .003$
ANGULAR: ± 1.0
TWO PLACE DECIMAL $\pm .010$
THREE PLACE DECIMAL $\pm .003$
FOUR PLACE DECIMAL $\pm .0005$ (REAM)

HEAT TREAT **N/A**

No Pcs to Complete Order:

MATERIAL **Material <not specified>**

FINISH **N/A**

DRAWN BY:

AK

DATE

10/5/2022

TITLE:

**METRIOS CROSS, I42
CENTERS STAGE LAYOUT**

SIZE **B**

DWG. NO.
B11-MET-CRS-265200

REV **0**

FILE NAME
B11-MET-CRS-265200

DIRECTORY
P:\Manufacturing\PrymeFix Product Line\B11 Fixture Solutions\B11-MET-CRS-265200\

REVISION HISTORY

MACHINING PROPERTIES

INCH UNITS

SCALE: 1:5

WEIGHT:

SHEET 4 OF 4