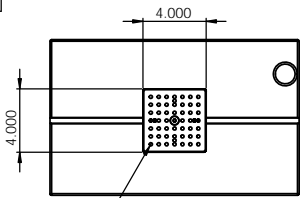


8		7		6		5		4		3		2		1	
No. COMPONENTS IN ASSLY		OP1		OP2		OP3		OP4		OP5		OP6			

DATE ORDERED	ORDERED FROM	ITEM NO.	PART NUMBER	DESCRIPTION	K32-MTI-SUR-000 14-20 PLATE/ QTY.
		1	178-039-000	178-039 MTI GRANITE STAND	1
		2	K13-MTI-SUR-000	K32-MTI-SUR-000_1/4-20 PLATE	1



48 x 1/4-20 UNC
(0.500" HOLE SPACING)

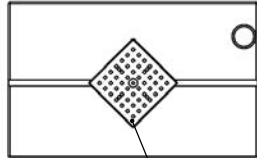
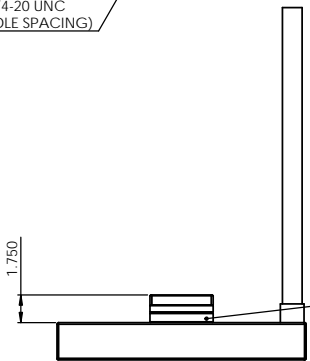


PLATE CAN BE ROTATED EVERY 45°



K13-MTI-SUR-001(SOLD SEPARATELY)

PrymeFix
fixturing solutions

155 PRAIRIE LAKE RD, SUITE A
EAST DUNDEE, IL 60118
847.428.7122

3D PRINTER PROPERTIES			
Material 1	<input type="checkbox"/> Support	Material 2	<input type="checkbox"/> Support
Core 1:		Core 2:	

PROPRIETARY AND CONFIDENTIAL

THE INFORMATION CONTAINED IN THIS DRAWING IS THE SOLE PROPERTY OF PRYMEFIX. ANY REPRODUCTION IN PART OR AS A WHOLE WITHOUT THE WRITTEN PERMISSION OF PRYMEFIX IS PROHIBITED.

1	
2	
3	
4	
5	
6	
7	

UNLESS OTHERWISE SPECIFIED	
HEAT TREAT	N/A
MATERIAL	Material <not specified>
FINISH	N/A
MACHINING PROPERTIES	

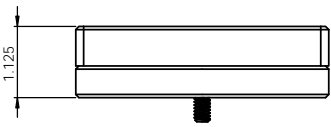
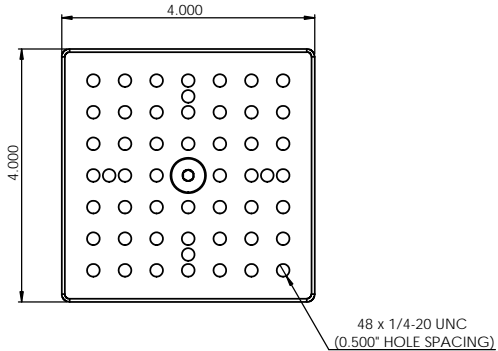
DRAWN BY: JO	DATE: 12/8/2021
TITLE: K32-MTI-SUR-000 1/4-20 PLATE	
SIZE: B	DWG. NO: B11-MTI-SUR-178309
REV: 0	TECHNICAL DRAWINGS
SCALE: 1:10	WEIGHT: SHEET 2 OF 10

FILE NAME
B11-MTI-SUR-178309
DIRECTORY
P:\Manufacturing\PrymeFix Product Line\B11 Fixture Solutions\B11-MTI-SUR-178309\

REVISION HISTORY INCH UNITS SCALE: 1:10 WEIGHT: SHEET 2 OF 10

8		7		6		5		4		3		2		1	
No. COMPONENTS IN ASSLY		OP1	OP2	OP3	OP4	OP5	OP6								

DATE ORDERED	ORDERED FROM	ITEM NO.	PART NUMBER	DESCRIPTION	K32-MTI-SUR-000/QTY.
		1	KXX-MTI-SUR-000	K13-MTI-SUR-200 W/ 1/4-20 PLATE	1



PrymeFix
fixturing solutions

155 PRAIRIE LAKE RD, SUITE A
EAST DUNDEE, IL 60118
847.428.7122

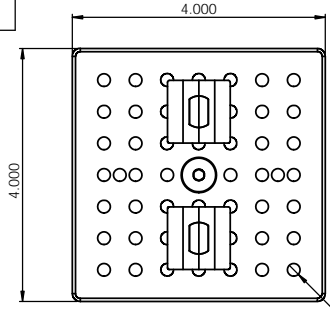
FILE NAME K13-MTI-SUR-000	3D PRINTER PROPERTIES		PROPRIETARY AND CONFIDENTIAL THE INFORMATION CONTAINED IN THIS DRAWING IS THE SOLE PROPERTY OF PRYMEFIX. ANY REPRODUCTION IN PART OR AS A WHOLE WITHOUT THE WRITTEN PERMISSION OF PRYMEFIX IS PROHIBITED.
DIRECTORY P:\Manufacturing\PrymeFix Product Line\K11 Kinematic Dock Mount\K13-MTI-SUR-001\	Material 1 <input type="checkbox"/> Support	Material 2 <input type="checkbox"/> Support	
	Cone 1:	Cone 2:	

1	
2	
3	
4	
5	
6	
7	

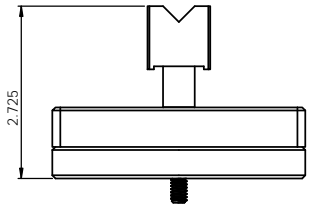
UNLESS OTHERWISE SPECIFIED	
FRAC TIONAL: # 003	ANGULAR: # 1/2
TWO PLACE DECIMAL: # 010	THREE PLACE DECIMAL: # 003
FOUR PLACE DECIMAL: # 0005 (REAM)	
HEAT TREAT: N/A	No Pcs to Complete Order:
MATERIAL: Material <not specified>	
FINISH: N/A	

DRAWN BY: JO	DATE: 1/4/2022
TITLE: K32-MTI-SUR-001 1/4-20 PLATE w/ V-BLOCKS	
SIZE: B	REV: 0
DWG. NO: B11-MTI-SUR-178309	TECHNICAL DRAWINGS
SCALE: 1:10	WEIGHT: SHEET 3 OF 10

DATE ORDERED	ORDERED FROM	ITEM NO.	PART NUMBER	DESCRIPTION	K32-MTI-SUR-001/QTY.
		1	KXX-MTI-SUR-000	K13-MTI-SUR-200 W/ 1/4-20 PLATE	1
		2	SO1-XXX-XXX-001	PrymeFix Standoff: 1/2" OD x 1.0" L	2
		3	V41-PRY-STD-001	1" Sq MAGNETIC V-BLOCK	2

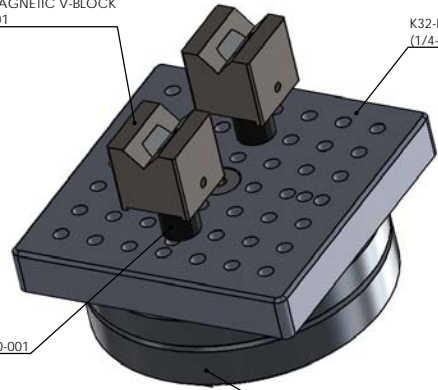


48 x 1/4-20 UNC
(0.500" HOLE SPACING)



2x PRYMEFIX MAGNETIC V-BLOCK
V11-PRY-STD-001

K32-MTI-SUR-000
(1/4-20 THREADED PLATE)



2x SO1-500-1000-001

K13-MTI-SUR-001(SOLD SEPARATELY)

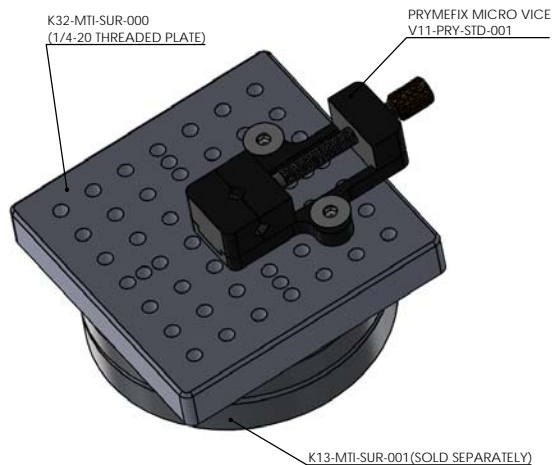
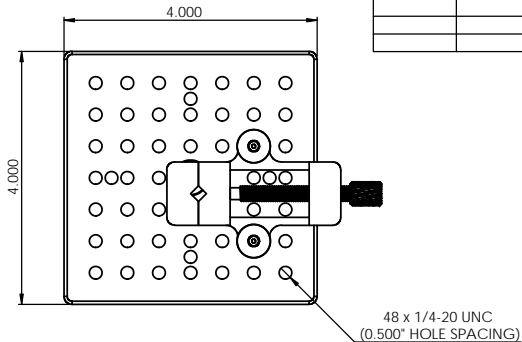
PrymeFix
fixturing solutions

155 PRAIRIE LAKE RD, SUITE A
EAST DUNDEE, IL 60118
847.428.7122

FILE NAME K13-MTI-SUR-000	3D PRINTER PROPERTIES		<p>PROPRIETARY AND CONFIDENTIAL</p> <p>THE INFORMATION CONTAINED IN THIS DRAWING IS THE SOLE PROPERTY OF PRYMEFIX. ANY REPRODUCTION IN PART OR AS A WHOLE WITHOUT THE WRITTEN PERMISSION OF PRYMEFIX IS PROHIBITED.</p>	1		<p>UNLESS OTHERWISE SPECIFIED</p> <p>FRACTIONAL: # 003 ANGULAR: # 1.0 TWO PLACE DECIMAL: # 010 THREE PLACE DECIMAL: # 003 FOUR PLACE DECIMAL: # 0005 (REAM)</p> <p>HEAT TREAT: N/A</p> <p>MATERIAL: Material <not specified></p> <p>FINISH: N/A</p> <p>NO PCH to Complete Order:</p>	<p>DRAWN BY: JO</p> <p>DATE: 1/4/2022</p>
DIRECTORY P:\Manufacturing\PrymeFix Product Line\K11 Kinematic Dock Mount\K13-MTI-SUR-001\	Material 1 <input type="checkbox"/> Support	Material 2 <input type="checkbox"/> Support		2			<p>TITLE: K32-MTI-SUR-001 1/4-20 PLATE w/ V-BLOCKS</p>
	Cone 1:	Cone 2:		3			<p>SIZE: B</p> <p>DWG. NO: B11-MTI-SUR-178309</p> <p>TECHNICAL DRAWINGS</p>

REVISION HISTORY		MACHINING PROPERTIES		INCH UNITS		SCALE: 1:10 WEIGHT:		SHEET 4 OF 10	
4		3		2		1			

1	OP1	OP2	OP3	OP4	OP5	OP6		
	DATE ORDERED		ORDERED FROM	ITEM NO.	PART NUMBER	DESCRIPTION		K32-MTI-SUR-002/QTY.
				1	KXX-MTI-SUR-000	K13-MTI-SUR-200 W/ 1/4-20 PLATE		1
				2	V11-PRY-STD-001	MICRO VICE		1
			3	92210A539	1/4-20 X 5/8" SS FLAT SOCKET SCREW		2	



PrymeFix
fixturing solutions

155 PRAIRIE LAKE RD, SUITE A
EAST DUNDEE, IL 60118
847.428.7122

FILE NAME

K13-MTI-SUR-000

DIRECTORY

P:\Manufacturing\PrymeFix Product Line\K11 Kinematic Dock Mount\K13-MTI-SUR-001\

3D PRINTER PROPERTIES			
Material 1	<input type="checkbox"/> Support	Material 2	<input type="checkbox"/> Support
Core 1:		Core 2:	

**PROPRIETARY
AND
CONFIDENTIAL**

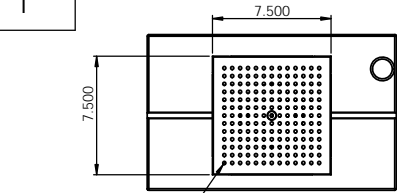
THE INFORMATION
CONTAINED IN THIS
DRAWING IS THE SOLE
PROPERTY OF
PRYMEFIX. ANY
REPRODUCTION OR
PART OR AS A WHOLE
WITHOUT THE WRITTEN
PERMISSION OF
PRYMEFIX IS
PROHIBITED.

1		UNLESS OTHERWISE SPECIFIED	
2		FRACTIONAL: # 003 ANGULAR: # 1/2 TWO PLACE DECIMAL: # 010 THREE PLACE DECIMAL: # 003 FOUR PLACE DECIMAL: # 0005 (NEAM)	
3		HEAT TREAT: N/A	No Pcs to Complete Order:
4		MATERIAL: Material <not specified>	
5		FINISH: N/A	
6			
7			
REVISION HISTORY		MACHINING PROPERTIES	INCH UNITS

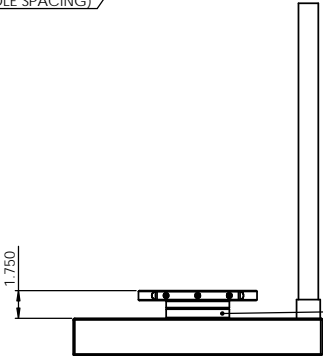
DRAWN BY:	JO	DATE:	1/4/2022
TITLE:			
K32-MTI-SUR-002 1/4-20 PLATE w/ MICRO VICE			
SIZE:	DWG. NO:	REV:	
B	B11-MTI-SUR-178309	0	
TECHNICAL DRAWINGS		SCALE: 1:10	WEIGHT:
		SHEET 5 OF 10	

8	7	6	5	4	3	2	1
No. COMPONENTS IN ASSLY	OP1	OP2	OP3	OP4	OP5	OP6	

DATE ORDERED	ORDERED FROM	ITEM NO.	PART NUMBER	DESCRIPTION	K32-MTI-SUR-003 200200 PLATE/Qty.
		1	178-039-000	178-039 MTI GRANITE STAND	1
		2	K13-MTI-SUR-000	K32-MTI-SUR-003_200200 1/4-20 PLATE	1



168 x 1/4-20
(0.500" HOLE SPACING)



K13-MTI-SUR-001(SOLD SEPARATELY)



PrymeFix
fixturing solutions

155 PRAIRIE LAKE RD, SUITE A
EAST DUNDEE, IL 60118
847.428.7122

FILE NAME
B11-MTI-SUR-178309
DIRECTORY
P:\Manufacturing\PrymeFix Product Line\B11 Fixture Solutions\B11-MTI-SUR-178309\

3D PRINTER PROPERTIES			
Material 1	<input type="checkbox"/> Support	Material 2	<input type="checkbox"/> Support
Cone 1:		Cone 2:	

PROPRIETARY AND CONFIDENTIAL

THE INFORMATION CONTAINED IN THIS DRAWING IS THE SOLE PROPERTY OF PRYMEFIX. ANY REPRODUCTION IN PART OR AS A WHOLE WITHOUT THE WRITTEN PERMISSION OF PRYMEFIX IS PROHIBITED.

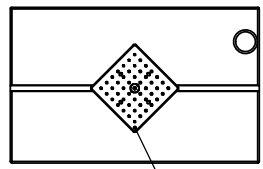
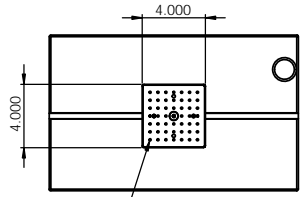
1	
2	
3	
4	
5	
6	
7	

UNLESS OTHERWISE SPECIFIED	
FRAC TIONAL	003
ANGULAR	1/10
TWO PLACE DECIMAL	010
THREE PLACE DECIMAL	003
FOUR PLACE DECIMAL	0005 (NEAM)
HEAT TREAT	N/A
MATERIAL	Material <not specified>
FINISH	N/A

DESIGN BY: JO	DATE: 12/8/2021
TITLE: K32-MTI-SUR-003 1/4-20 -200200 PLATE	
SIZE: B	DWG. NO: B11-MTI-SUR-178309
REV: 0	TECHNICAL DRAWINGS
SCALE: 1:10	WEIGHT: SHEET 6 OF 10

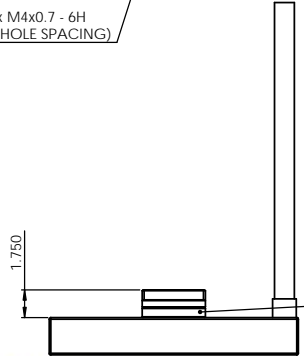
8	7	6	5	4	3	2	1
No. COMPONENTS IN ASSLY	OP1	OP2	OP3	OP4	OP5	OP6	

DATE ORDERED	ORDERED FROM	ITEM NO.	PART NUMBER	DESCRIPTION	K33-MTI-SUR-000 M4 PLATE/QTY.
		1	178-039-000	178-039 MTI GRANITE STAND	1
		2	K13-MTI-SUR-000	K33-MTI-SUR-000_M4 PLATE	1



48 x M4x0.7 - 6H
(0.500" HOLE SPACING)

PLATE CAN BE ROTATED EVERY 45°



K13-MTI-SUR-001 (SOLD SEPARATELY)

PrymeFix
fixturing solutions

155 PRAIRIE LAKE RD, SUITE A
EAST DUNDEE, IL 60118
847.428.7122

3D PRINTER PROPERTIES			
Material 1	<input type="checkbox"/> Support	Material 2	<input type="checkbox"/> Support
Cone 1:		Cone 2:	

PROPRIETARY AND CONFIDENTIAL

THE INFORMATION CONTAINED IN THIS DRAWING IS THE SOLE PROPERTY OF PRYMEFIX. ANY REPRODUCTION IN PART OR AS A WHOLE WITHOUT THE WRITTEN PERMISSION OF PRYMEFIX IS PROHIBITED.

1	
2	
3	
4	
5	
6	
7	

UNLESS OTHERWISE SPECIFIED	
FRAC TIONAL	003
ANGULAR	1/10
TWO PLACE DECIMAL	010
THREE PLACE DECIMAL	003
FOUR PLACE DECIMAL	0005 (REAM)
HEAT TREAT	N/A
MATERIAL	Material <not specified>
FINISH	N/A

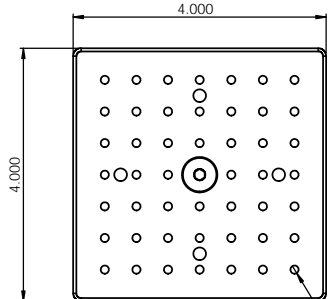
DRAWN BY: JO	DATE: 12/8/2021
TITLE: K33-MTI-SUR-000 M4 PLATE	
SIZE: B	DWG. NO: B11-MTI-SUR-178309
SCALE: 1:10	WEIGHT: 0
SHEET 7 OF 10	

FILE NAME
B11-MTI-SUR-178309
DIRECTORY
P:\Manufacturing\PrymeFix Product Line\B11 Fixture Solutions\B11-MTI-SUR-178309\

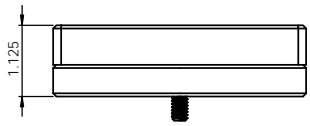
REVISION HISTORY MACHINING PROPERTIES INCH UNITS SCALE: 1:10 WEIGHT: SHEET 7 OF 10

8	7	6	5	4	3	2	1
No. COMPONENTS IN ASSLY	OP1	OP2	OP3	OP4	OP5	OP6	

DATE ORDERED	ORDERED FROM	ITEM NO.	PART NUMBER	DESCRIPTION	K33-MTI-SUR-000/QTY.
		1	KXX-MTI-SUR-000	K13-MTI-SUR-200 W/ M4 PLATE	1



48 x M4x0.7 - 6H
(0.500" HOLE SPACING)



K33-MTI-SUR-000
(1/4-20 THREADED PLATE)

K13-MTI-SUR-001 (SOLD SEPARATELY)

PrymeFix
fixturing solutions

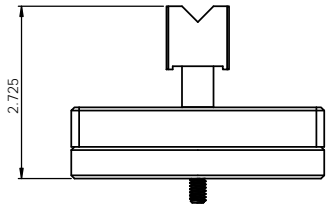
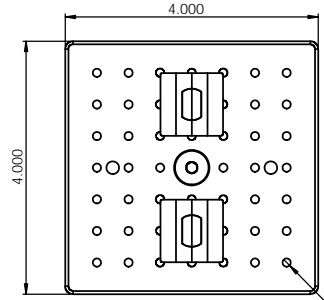
155 PRAIRIE LAKE RD, SUITE A
EAST DUNDEE, IL 60118
847.428.7122

FILE NAME K13-MTI-SUR-000	3D PRINTER PROPERTIES	<p>PROPRIETARY AND CONFIDENTIAL</p> <p>THE INFORMATION CONTAINED IN THIS DRAWING IS THE SOLE PROPERTY OF PRYMEFIX. ANY REPRODUCTION IN PART OR AS A WHOLE WITHOUT THE WRITTEN PERMISSION OF PRYMEFIX IS PROHIBITED.</p>	1		<p>UNLESS OTHERWISE SPECIFIED</p> <p>FRACTIONAL: # 003 ANGULAR: # 1/2 TWO PLACE DECIMAL: # 010 THREE PLACE DECIMAL: # 003 FOUR PLACE DECIMAL: # 0005 (NEAM)</p> <p>HEAT TREAT: N/A</p> <p>FINISH: N/A</p> <p>NO PCS to Complete Order:</p>	DATE: 1/4/2022		
DIRECTORY P:\Manufacturing\PrymeFix Product Line\K11 Kinematic Dock Mount\K13-MTI-SUR-001\	Material 1: <input type="checkbox"/> Support		Material 2: <input type="checkbox"/> Support	2			TITLE: K33-MTI-SUR-000 M4 PLATE	
	Cone 1:		Cone 2:	3			SIZE: B	DWG. NO: B11-MTI-SUR-178309
				4			TECHNICAL DRAWINGS	REV: 0
			5			SCALE: 1:10	WEIGHT:	
			6			SHEET 8 OF 10		
			7					

REVISION HISTORY	MACHINING PROPERTIES	INCH UNITS	SCALE: 1:10	WEIGHT:	SHEET 8 OF 10
------------------	----------------------	------------	-------------	---------	---------------

8	7	6	5	4	3	2	1
No. COMPONENTS IN ASSLY	OP1	OP2	OP3	OP4	OP5	OP6	

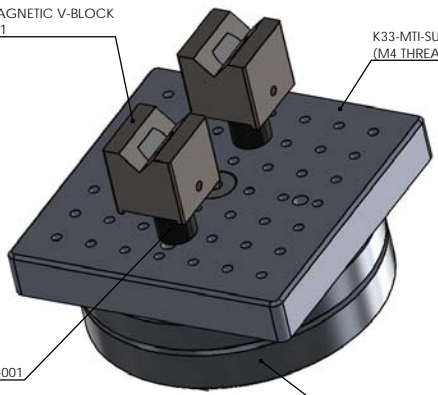
DATE ORDERED	ORDERED FROM	ITEM NO.	PART NUMBER	DESCRIPTION	K33-MTI-SUR-001_V BLOCK/QTY.
		1	KXX-MTI-SUR-000	K13-MTI-SUR-200 W/ M4 PLATE	1
		2	SO1-XXX-XXX-001	PRYMEFIX 1/2" OD STANDOFF	2
		3	V41-PRY-STD-001	1" Sq MAGNETIC V-BLOCK	2



2x PRYMEFIX MAGNETIC V-BLOCK
V11-PRY-STD-001

K33-MTI-SUR-000
(M4 THREADED PLATE)

48 x M4x0.7 - 6H
(0.500" HOLE SPACING)



2x SO1-500-1000-001

K13-MTI-SUR-001(SOLD SEPARATELY)

PrymeFix
fixturing solutions

155 PRAIRIE LAKE RD, SUITE A
EAST DUNDEE, IL 60118
847.428.7122

3D PRINTER PROPERTIES			
Material 1	<input type="checkbox"/> Support	Material 2	<input type="checkbox"/> Support
Core 1:		Core 2:	

PROPRIETARY AND CONFIDENTIAL

THE INFORMATION CONTAINED IN THIS DRAWING IS THE SOLE PROPERTY OF PRYMEFIX. ANY REPRODUCTION OR PART OR AS A WHOLE WITHOUT THE WRITTEN PERMISSION OF PRYMEFIX IS PROHIBITED.

1	
2	
3	
4	
5	
6	
7	

UNLESS OTHERWISE SPECIFIED	
HEAT TREAT	N/A
MATERIAL	Material <not specified>
FINISH	N/A

DRAWN BY: JO	DATE: 1/4/2022
TITLE: K33-MTI-SUR-001 M4 PLATE w/ V-BLOCKS	
SIZE: B	DWG. NO: B11-MTI-SUR-178309
REV: 0	TECHNICAL DRAWINGS
SCALE: 1:10	WEIGHT: 0
SHEET 9 OF 10	

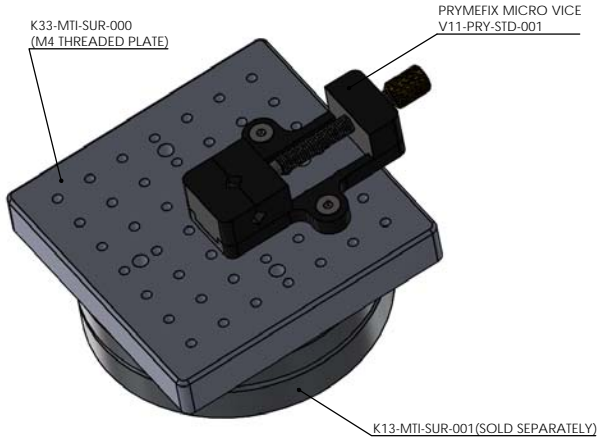
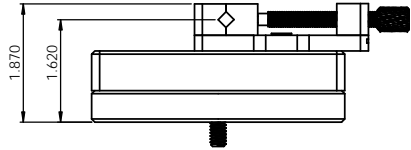
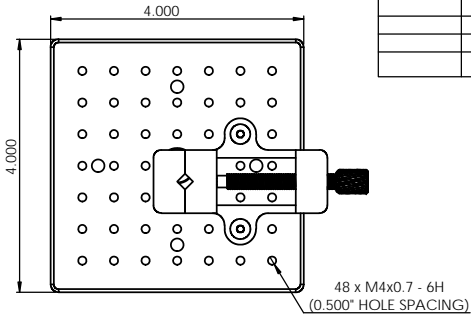
FILE NAME
K13-MTI-SUR-000

DIRECTORY
P:\Manufacturing\PrymeFix Product Line\K11 Kinematic Dock Mount\K13-MTI-SUR-001\

REVISION HISTORY	MACHINING PROPERTIES	INCH UNITS	SCALE: 1:10	WEIGHT:	SHEET 9 OF 10
------------------	----------------------	------------	-------------	---------	---------------

8	7	6	5	4	3	2	1
No. COMPONENTS IN ASSLY	OP1	OP2	OP3	OP4	OP5	OP6	

DATE ORDERED	ORDERED FROM	ITEM NO.	PART NUMBER	DESCRIPTION	K33-MTI-SUR-002 MICRO VICE CONFIGURATION/ QTY.
		1	KXX-MTI-SUR-000	K13-MTI-SUR-200 W/ M4 PLATE	1
		2	V11-PRY-STD-001	MICRO VICE	1
		3	92125A194	FLAT SOCKET HEAD SCREW M4x16mm 92125A194	2



PrymeFix
fixturing solutions

155 PRAIRIE LAKE RD, SUITE A
EAST DUNDEE, IL 60118
847.428.7122

FILE NAME K13-MTI-SUR-000	3D PRINTER PROPERTIES		PROPRIETARY AND CONFIDENTIAL THE INFORMATION CONTAINED IN THIS DRAWING IS THE SOLE PROPERTY OF PRYMEFIX. ANY REPRODUCTION IN PART OR AS A WHOLE WITHOUT THE WRITTEN PERMISSION OF PRYMEFIX IS PROHIBITED.
DIRECTORY P:\Manufacturing\PrymeFix Product Line\K11 Kinematic Dock Mount\K13-MTI-SUR-001\	Material 1: <input type="checkbox"/> Support	Material 2: <input type="checkbox"/> Support	
	Cone 1:	Cone 2:	

1		UNLESS OTHERWISE SPECIFIED FRACTIONAL: # 003 ANGULAR: # 1/10 TWO PLACE DECIMAL: # 010 THREE PLACE DECIMAL: # 003 FOUR PLACE DECIMAL: # 0005 (REAM)	DESIGN BY: JO	DATE: 1/4/2022	
2			HEAT TREAT: N/A MATERIAL: Material <not specified> FINISH: N/A	No Pcs to Complete Order:	TITLE: K33-MTI-SUR-002 M4 PLATE w/ MICRO VISE
3					
4			REVISION HISTORY	MACHINING PROPERTIES	INCH UNITS
5			SCALE: 1:10	WEIGHT:	SHEET 10 OF 10