

MULTI-GESTURE TECHNOLOGY

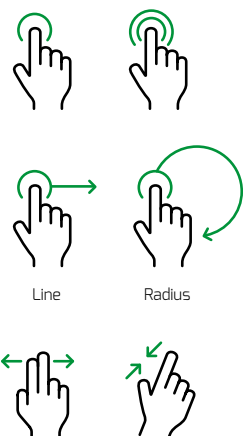
SMART PROGRAMMING

Multi-touch industrial 17-inch screen designed for clear visibility.

The user-friendly interface is intuitive and suitable for all users.

Multi-Gesture Technology makes daily tasks quicker and easier.

MULTI-GESTURE TECHNOLOGY



NEW BUILT-IN PC



SHOP FLOOR MEASURING MACHINES

metrios

Via J. Gutenberg, 5 - 47822
Santarcangelo di Romagna (RN) - ITALY
Ph. +39 0541 350411
Fax +39 0541 623897
info@metrios.net

www.metrios.com

metrios



FIXED STAGE RANGE

- SPEED**
 Takes even complex measurement in a matter of seconds.
- VERSATILITY**
 Ideal for small to medium sized components.
- VERTICAL STROKE**
 Up to 100 mm of effective stroke within the measuring stage.

SLIDING STAGE RANGE: CROSS VERSION

- MEASURING AREA**
 Wider dimensions for multiple applications.
- RESOLUTION**
 High resolution camera across the entire field of view.
- MULTIPIECE MEASUREMENT**
 Finds, points and inspects multiple parts at the same time.



metrios

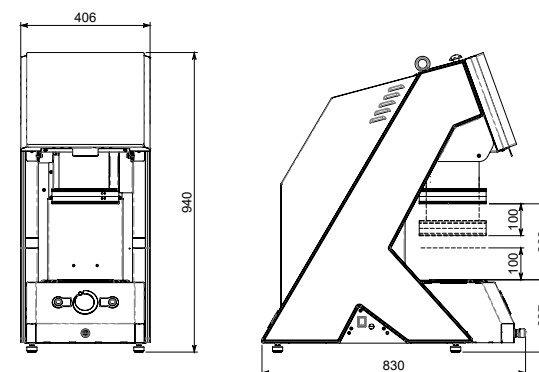
4 MODELS TO PERFORM THE BEST DIMENSIONAL CONTROL

FIELD OF VIEW	ACCURACY ⁽¹⁾	REPEATABILITY ⁽¹⁾	PIECE SIZE ON Z AXIS	FIXED STAGE
95 x 65 mm HIGH RESOLUTION FOR SMALL AND MEDIUM COMPONENTS.	(5+0.01L [mm]) [μm]	(2+0.01L [mm]) [μm]	100 mm	METRIOS
23 x 23 mm HIGHEST RESOLUTION OF THE RANGE. CAPTURE THE SMALLEST DETAIL ON MICRO-COMPONENTS.	(2,5+0.01L [mm]) [μm]	(1,5+0.01L [mm]) [μm]	100 mm	METRIOS HD

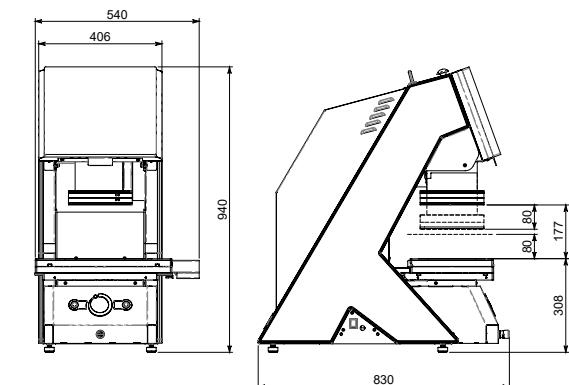
FIELD OF VIEW	ACCURACY ⁽¹⁾	REPEATABILITY ⁽¹⁾	PIECE SIZE ON Z AXIS	SLIDING STAGE
265 x 200 mm SLIDING STAGE ALONG THE X AND Y AXIS, WIDE WORKING AREA AND HIGH RESOLUTION ACROSS THE ENTIRE FIELD OF VIEW.	(5+0.01L [mm]) [μm] ⁽²⁾ (7+0.01L [mm]) [μm] ⁽³⁾	(2+0.01L [mm]) [μm] ⁽²⁾ (3+0.01L [mm]) [μm] ⁽³⁾	80 mm	METRIOS CROSS
70 x 70 mm HIGHEST RESOLUTION OF THE RANGE, SLIDING STAGE ALONG X AND Y AXIS.	(2.5+0.01L [mm]) [μm] ⁽²⁾ (3.5+0.01L [mm]) [μm] ⁽³⁾	(1.5+0.01L [mm]) [μm] ⁽²⁾ (2.5+0.01L [mm]) [μm] ⁽³⁾	80 mm	METRIOS HD CROSS

(1) ±2 σ at temperatures of +20 ± 1,0°C on clean and rectified surfaces. L = measured length.
 (2) Acquisition on a fixed stage.
 (3) Acquisition on a moving stage.

FIXED STAGE



SLIDING STAGE



find out more on www.metrios.com