

8	7	6	5	4	3	2	1
No. COMPONENTS IN ASSLY	OP1	OP2	OP3	OP4	OP5	OP6	

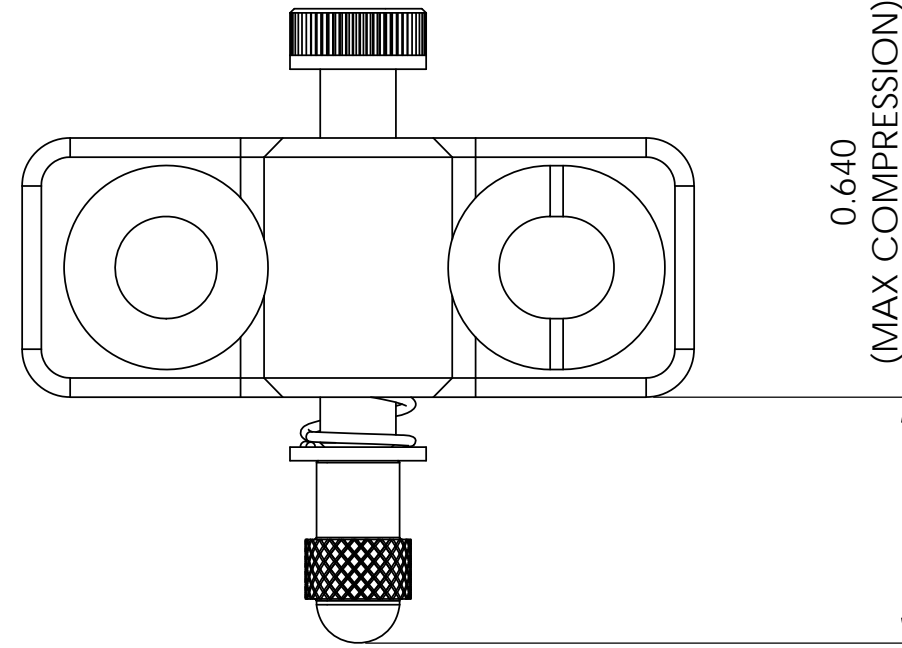
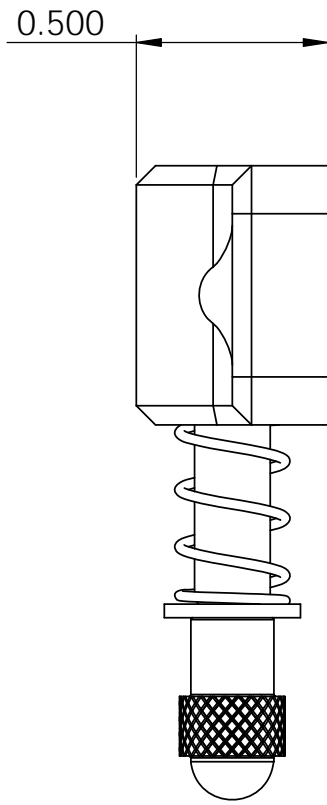
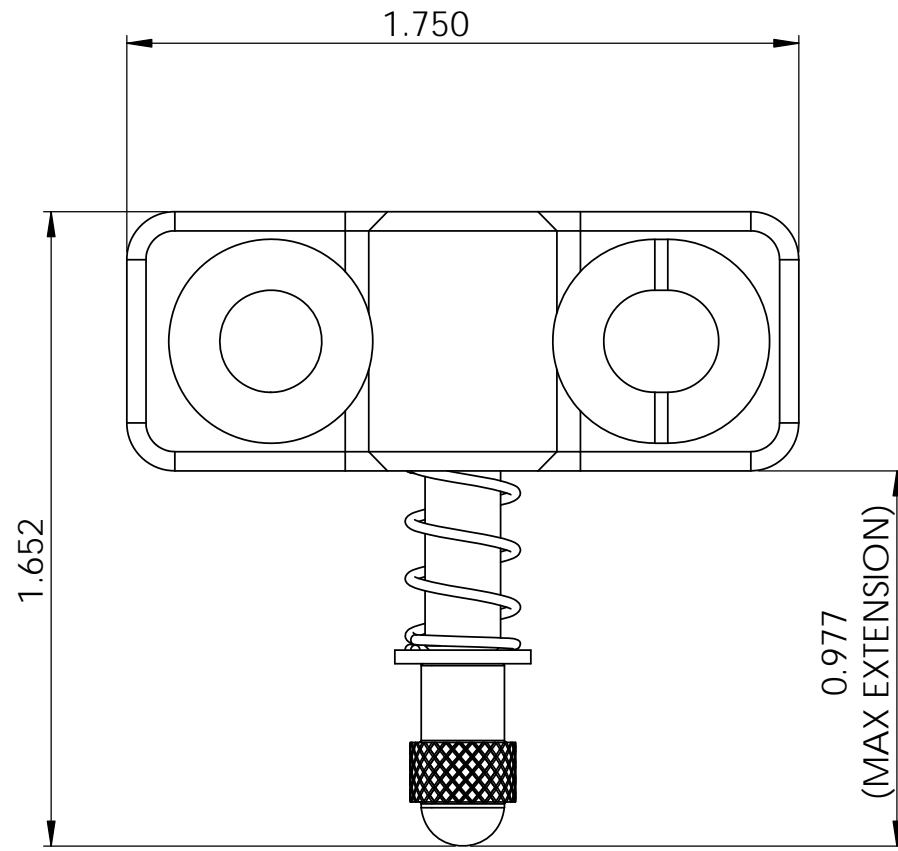
1

ANODIZED ALUMINUM BASE

ANODIZED ALUMINUM SPHERE TIP PUSHER

11.3 lbs/in SPRING RATE

M4 WASHER



**PrymeFix**  
fixturing solutions

155 PRAIRIE LAKE RD, SUITE A  
EAST DUNDEE, IL 60118  
847.428.7122

FILE NAME  
SP2-250-500-002

DIRECTORY  
P:\Manufacturing\PrymeFix Product Line\SO Standoffs & Kits\SO2 M4 Kits\

PROPRIETARY AND CONFIDENTIAL

THE INFORMATION CONTAINED IN THIS DRAWING IS THE SOLE PROPERTY OF PRYMETECH. ANY REPRODUCTION IN PART OR AS A WHOLE WITHOUT THE WRITTEN PERMISSION OF PRYMETECH IS PROHIBITED.

1		UNLESS OTHERWISE SPECIFIED	DRAWN BY: <b>JO</b>	DATE: <b>4/28/2021</b>
2			TITLE: <b>SP2-375-475-002 PUSHER</b>	
3		FRACTIONAL $\pm .003$ ANGULAR: $\pm 1.0$ TWO PLACE DECIMAL $\pm .010$ THREE PLACE DECIMAL $\pm .003$ FOUR PLACE DECIMAL $\pm .0005$ (REAM)	No Pcs to Complete Order:	
4				
5				
6		HEAT TREAT <b>N/A</b>	SIZE <b>B</b> DWG. NO. <b>SO2-PRY-STD-001</b> TECHNICAL DRAWINGS REV <b>0</b>	
7		MATERIAL <b>Material &lt;not specified&gt;</b>		
		FINISH <b>N/A</b>	SCALE: 10:1 WEIGHT: 0.01 SHEET 15 OF 15	
REVISION HISTORY		INCH UNITS		

8	7	6	5	4	3	2	1
---	---	---	---	---	---	---	---