

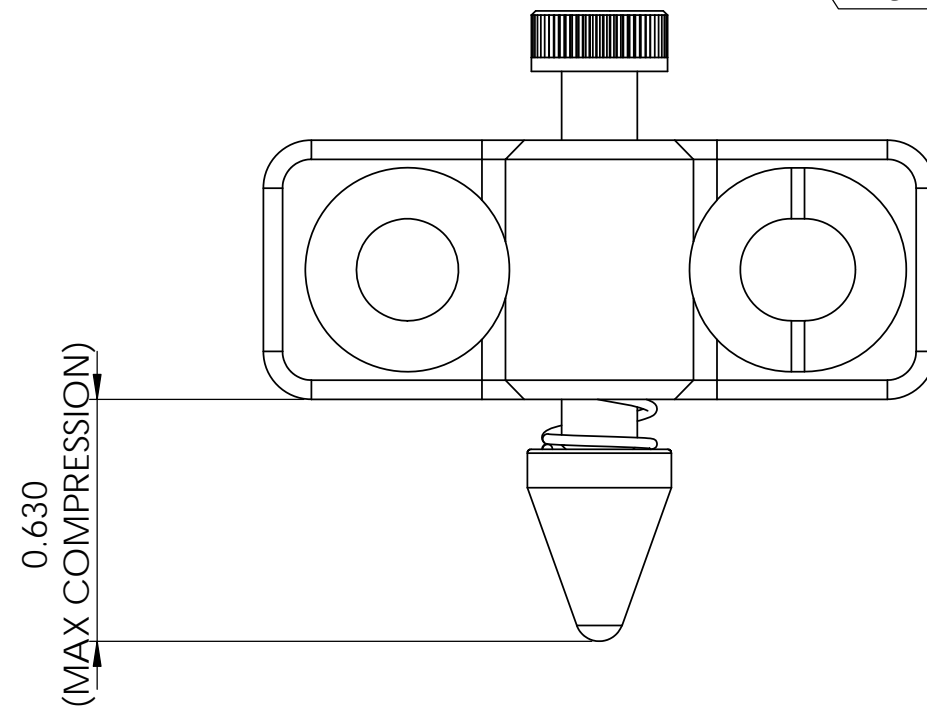
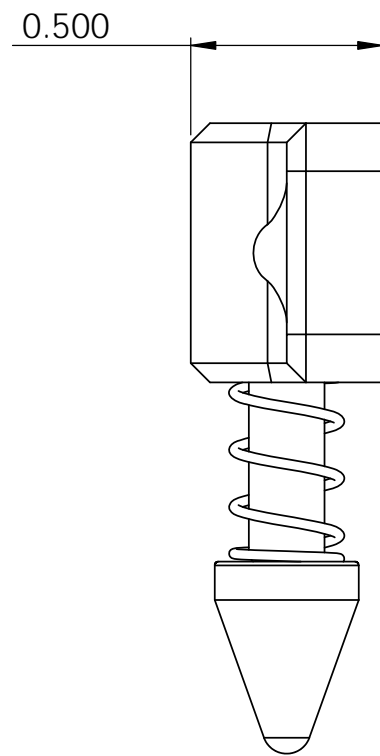
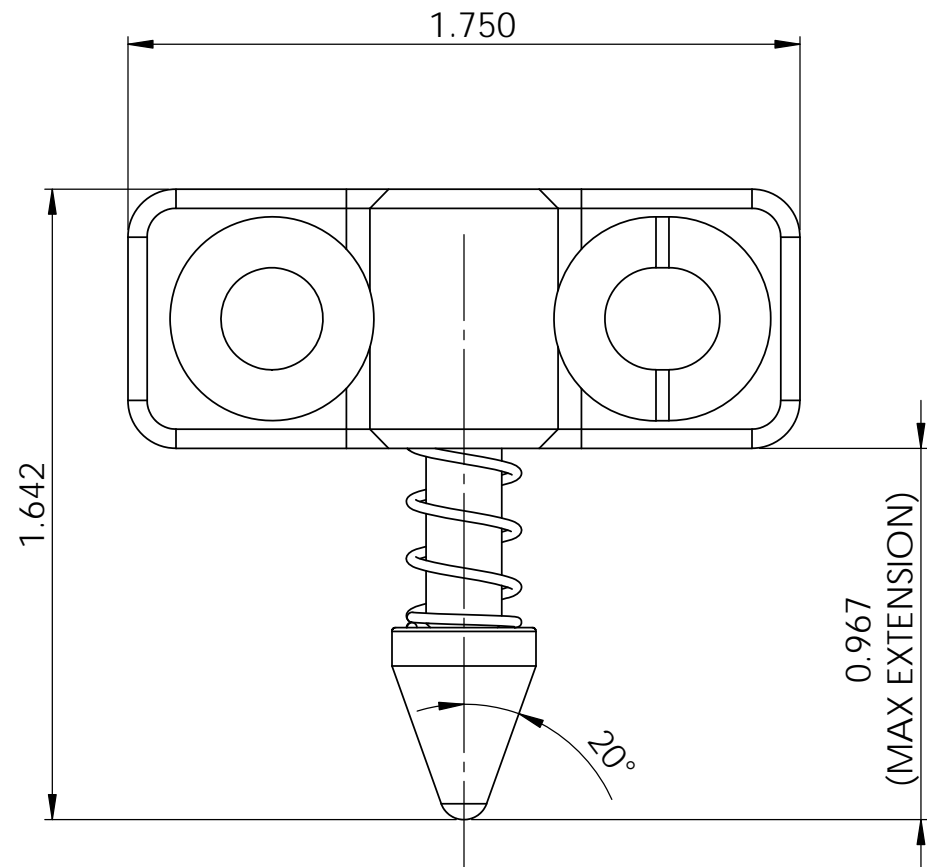
8	7	6	5	4	3	2	1
No. COMPONENTS IN ASSLY	OP1	OP2	OP3	OP4	OP5	OP6	

1

ANODIZED ALUMINUM BASE

DELRIN CONE TIP PUSHER

11.3 lbs/in Spring Rate



PrymeFix
fixturing solutions

155 PRAIRIE LAKE RD, SUITE A
EAST DUNDEE, IL 60118
847.428.7122

FILE NAME
SP2-250-500-002
DIRECTORY
P:\Manufacturing\PrymeFix Product Line\SO Standoffs & Kits\SO2 M4 Kits\

PROPRIETARY AND CONFIDENTIAL

THE INFORMATION CONTAINED IN THIS DRAWING IS THE SOLE PROPERTY OF PRYMEFIX. ANY REPRODUCTION IN PART OR AS A WHOLE WITHOUT THE WRITTEN PERMISSION OF PRYMEFIX IS PROHIBITED.

1		UNLESS OTHERWISE SPECIFIED FRACTIONAL ± .003 ANGULAR: ± 1.0 TWO PLACE DECIMAL ± .010 THREE PLACE DECIMAL ± .003 FOUR PLACE DECIMAL ± .0005 (REAM)	DRAWN BY: JO	DATE 4/28/2021	
2			TITLE: SP2-250-500-002 PUSHER		
3					
4			HEAT TREAT N/A	No Pcs to Complete Order:	
5			MATERIAL Material <not specified>		
6			FINISH N/A	SIZE B	DWG. NO. SO2-PRY-STD-001 TECHNICAL DRAWINGS
7				REV 0	
REVISION HISTORY			SCALE: 10:1	WEIGHT: 0.01	
			SHEET 13 OF 14		

8	7	6	5	4	3	2	1
---	---	---	---	---	---	---	---