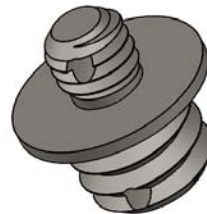
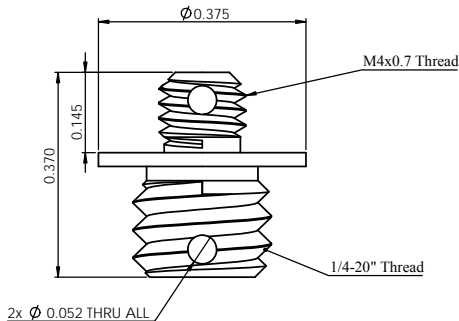


8	7	6	5	4	3	2	1
No. COMPONENTS IN ASSLY	OP1	OP2	OP3	OP4	OP5	OP6	

1



PrymeFix
fixturing solutions

155 PRAIRIE LAKE RD, SUITE A
EAST DUNDEE, IL 60118
847.428.7122

FILE NAME
S05-PRY-STD-001 M4-14-20 CONVERTER

DIRECTORY
P:\Manufacturing\PrymeFix Product Line\SO Standoffs & Kits\

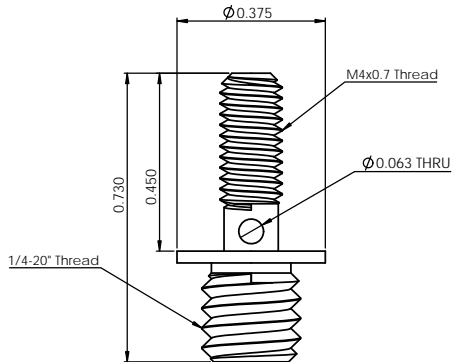
PROPRIETARY AND CONFIDENTIAL

THE INFORMATION CONTAINED IN THIS DRAWING IS THE SOLE PROPERTY OF PRYMEFIX. ANY REPRODUCTION IN PART OR AS A WHOLE WITHOUT THE WRITTEN PERMISSION OF PRYMEFIX IS PROHIBITED.

1	UPDATED TO ACTUAL PARTS MADE FROM REV D	UNLESS OTHERWISE SPECIFIED	DRAWN BY: RD	DATE: 10/9/2013
2	REDUCED HT OF M4 THREAD TO 1.45		FRAC TIONAL ■ 003 ANGULAR ■ 1 TO TWO PLACE DECIMAL ■ 010 THREE PLACE DECIMAL ■ 003 FOUR PLACE DECIMAL ■ 0005 (REAM)	TITLE: S05-PRY-STD-001 M4 TO 1/4-20 CONVERTER
3		HEAT TREAT: N/A	No Pcs to Complete Order:	
4		MATERIAL: Alloy Steel (S5)		
5		FINISH: NATURAL		
6				
7				
REVISION HISTORY			INCH UNITS	SCALE: 5:1 WEIGHT: 0.00 SHEET 2 OF 8

8 7 6 5 4 3 2 1

8	7	6	5	4	3	2	1
No. COMPONENTS IN ASSLY	OP1	OP2	OP3	OP4	OP5	OP6	
1							



PrymeFix
fixturing solutions

155 PRAIRIE LAKE RD, SUITE A
EAST DUNDEE, IL 60118
847.428.7122

FILE NAME
SC2-375-1000-002

DIRECTORY
P:\Manufacturing\PrymeFix Product Line\SO Standoffs & Kits\SO2 M4 Kits\

PROPRIETARY AND CONFIDENTIAL

THE INFORMATION CONTAINED IN THIS DRAWING IS THE SOLE PROPERTY OF PRYMEFIX. ANY REPRODUCTION IN PART OR AS A WHOLE WITHOUT THE WRITTEN PERMISSION OF PRYMEFIX IS PROHIBITED.

1		UNLESS OTHERWISE SPECIFIED	DRAWN BY: RD	DATE: 10/9/2013
2		FRAC TIONAL: ■ 003 ANGULAR: ■ 1/2 TWO PLACE DECIMAL: ■ 010 THREE PLACE DECIMAL: ■ 003 FOUR PLACE DECIMAL: ■ 0005 (NEAM)	TITLE: ADJUSTABLE STANDOFF STEM	
3		HEAT TREAT: N/A		
4		MATERIAL: Alloy Steel (S5)	SIZE DWG. NO. REV B S05-PRY-STD-001 M4-14-20 CONVERTER PRINT 0	
5		FINISH: NATURAL		
6		REVISION HISTORY	INCH UNITS	SHEET 3 OF 8
7				