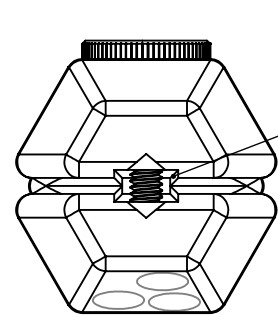
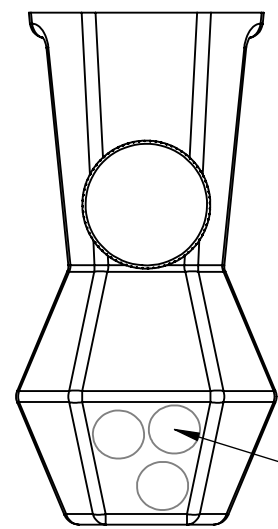


8	7	6	5	4	3	2	1
No. COMPONENTS IN ASSLY 1	OP1	OP2	OP3	OP4	OP5	OP6	

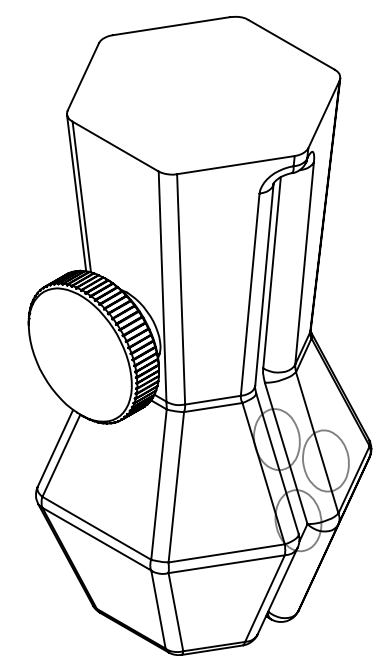
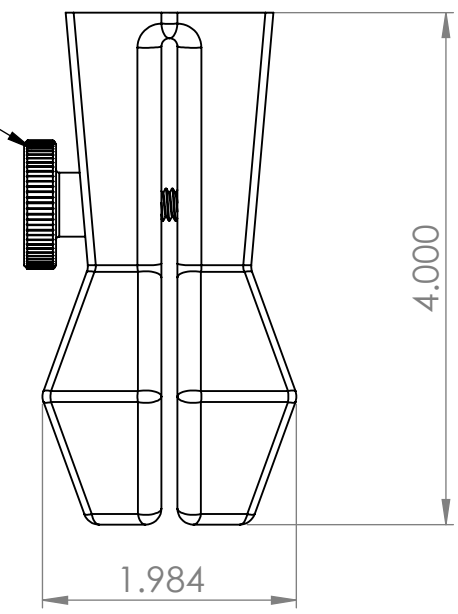


TWEEZER COMPARTMENT



THUMB SCREW TO APPLY FORCE HOLDING TWEEZERS

REFERENCE MARKERS



155 PRAIRIE LAKE RD, SUITE A
EAST DUNDEE, IL 60118
847.428.7122

FILE NAME
3D1-GOM-HWK-003
DIRECTORY
P:\Manufacturing\PrymeFix Product Line\3DX Scanning Items\3D1-GOM-HWK-003 Tweezer Target Clamp\

3D PRINTER PROPERTIES			
Material 1:	<input type="checkbox"/> Support	Material 2:	<input type="checkbox"/> Support
Rizium ST			
Core 1:		Core 2:	

PROPRIETARY AND CONFIDENTIAL

THE INFORMATION CONTAINED IN THIS DRAWING IS THE SOLE PROPERTY OF PRYMETECH. ANY REPRODUCTION IN PART OR AS A WHOLE WITHOUT THE WRITTEN PERMISSION OF PRYMETECH IS PROHIBITED.

1
2
3
4
5
6
7

UNLESS OTHERWISE SPECIFIED	
FRACTIONAL ± .003 ANGULAR: ± 1.0 TWO PLACE DECIMAL ± .010 THREE PLACE DECIMAL ± .003 FOUR PLACE DECIMAL ± .0005 (REAM)	
HEAT TREAT N/A	No Pcs to Complete Order:
MATERIAL Rizium ST	
FINISH N/A	

DRAWN BY:	JO	DATE	4/27/2021
TITLE: PT TWEEZER CLAMP ASSEMBLY			
SIZE B	DWG. NO. 3D1-GOM-HWK-003_TECHNICAL_DWG	REV	0
SCALE: 1:2	WEIGHT:	SHEET 1 OF 1	