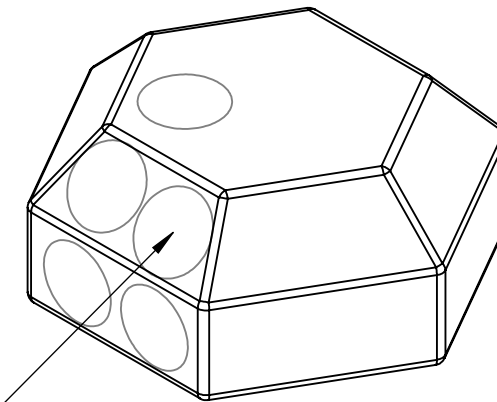
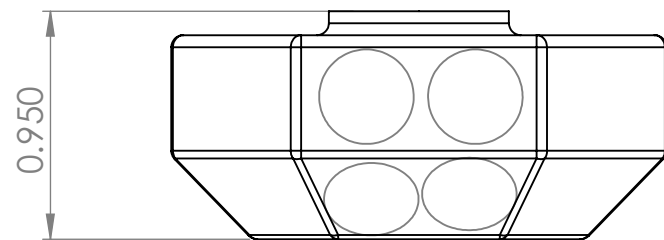
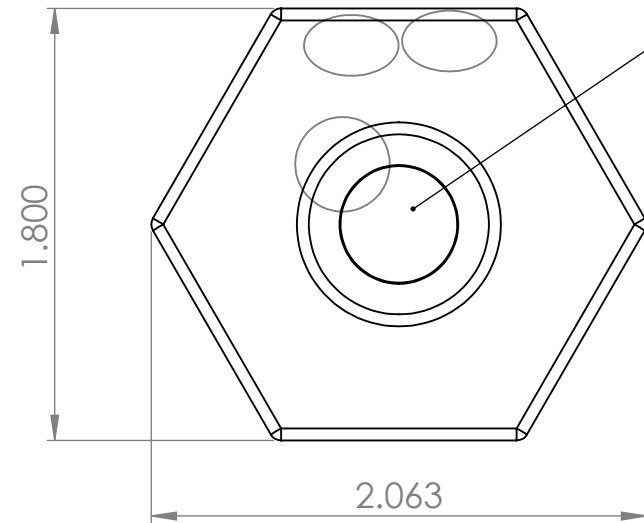


8	7	6	5	4	3	2	1
No. COMPONENTS IN ASSLY 1	OP1	OP2	OP3	OP4	OP5	OP6	

MAGNET FOR MAGNETIC ADHESION TO APPLICABLE PARTS



REFERENCE MARKERS



155 PRAIRIE LAKE RD, SUITE A
EAST DUNDEE, IL 60118
847.428.7122

FILE NAME
3D1-GOM-HWK-002
DIRECTORY
P:\Manufacturing\PrymeFix Product Line\3DX Scanning Items\3D1-GOM-HWK-002 Hexagonal Block\

3D PRINTER PROPERTIES			
Material 1:	<input type="checkbox"/> Support	Material 2:	<input type="checkbox"/> Support
Rizium ST			
Core 1:		Core 2:	

PROPRIETARY AND CONFIDENTIAL

THE INFORMATION CONTAINED IN THIS DRAWING IS THE SOLE PROPERTY OF PRYMEFIX. ANY REPRODUCTION IN PART OR AS A WHOLE WITHOUT THE WRITTEN PERMISSION OF PRYMEFIX IS PROHIBITED.

1
2
3
4
5
6
7

UNLESS OTHERWISE SPECIFIED	
FRACTIONAL ± .003 ANGULAR: ± 1.0 TWO PLACE DECIMAL ± .010 THREE PLACE DECIMAL ± .003 FOUR PLACE DECIMAL ± .0005 (REAM)	
HEAT TREAT	N/A
MATERIAL	Rizium ST
FINISH	N/A
No Pcs to Complete Order:	

DRAWN BY:	JO	DATE	2/21/2022
TITLE: PT_MAGNETIC HEX ASSEMBLY			
SIZE	DWG. NO.	REV	
B	3D1-GOM-HWK-002_TECHNICAL_DWG	0	
SCALE: 2:1	WEIGHT:	SHEET 1 OF 1	