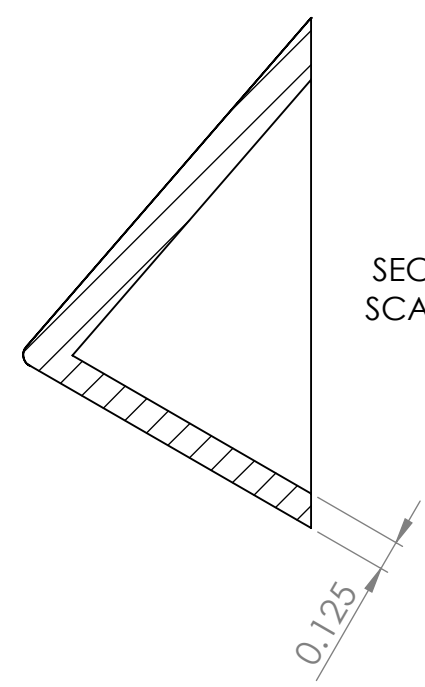
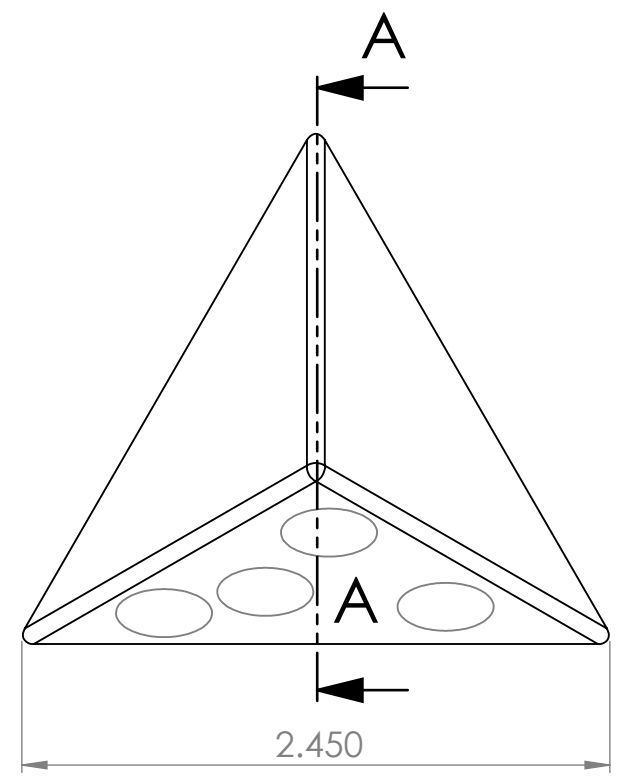
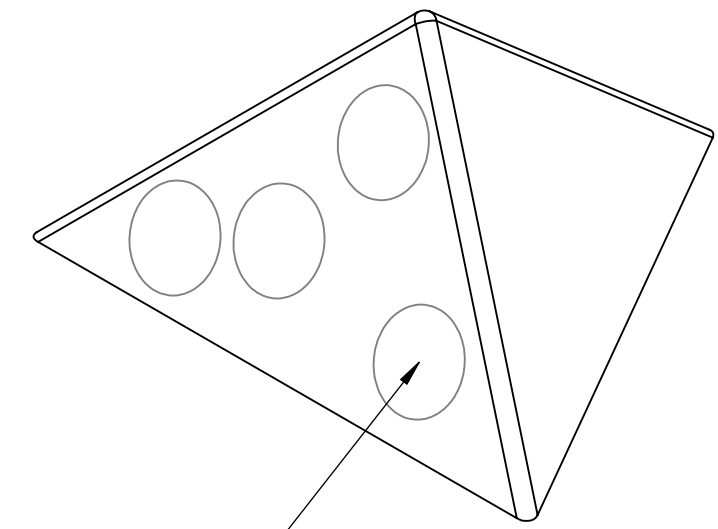


8	7	6	5	4	3	2	1
No. COMPONENTS IN ASSLY	OP1	OP2	OP3	OP4	OP5	OP6	

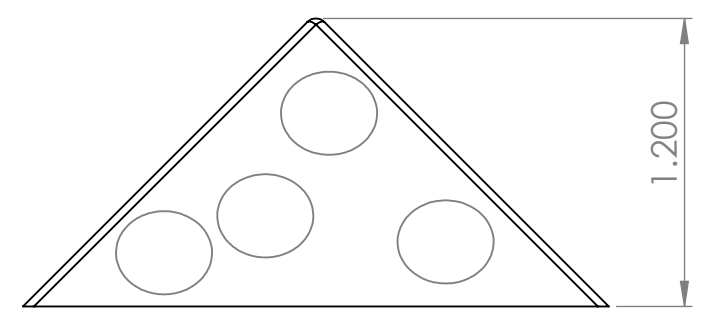
1



SECTION A-A
SCALE 1.25 : 1



REFERENCE MARKERS



155 PRAIRIE LAKE RD, SUITE A
EAST DUNDEE, IL 60118
847.428.7122

FILE NAME
3D1-GOM-HWK-001

DIRECTORY
P:\Manufacturing\PrymeFix Product Line\3DX Scanning Items\3D1-GOM-HWK-001 Pyramid\

3D PRINTER PROPERTIES			
Material 1:	<input type="checkbox"/> Support	Material 2:	<input type="checkbox"/> Support
Rizium ST		N/A	
Core 1:	N/A	Core 2:	N/A

PROPRIETARY AND CONFIDENTIAL

THE INFORMATION CONTAINED IN THIS DRAWING IS THE SOLE PROPERTY OF PRYMETECH. ANY REPRODUCTION IN PART OR AS A WHOLE WITHOUT THE WRITTEN PERMISSION OF PRYMETECH IS PROHIBITED.

1	
2	
3	
4	
5	
6	
7	

UNLESS OTHERWISE SPECIFIED	
FRACTIONAL ± .003 ANGULAR: ± 1.0 TWO PLACE DECIMAL ± .010 THREE PLACE DECIMAL ± .003 FOUR PLACE DECIMAL ± .0005 (REAM)	
HEAT TREAT	N/A
MATERIAL	Rizium ST
FINISH	N/A

DRAWN BY: **JO** DATE: **4/20/2021**

TITLE:
PT PYRAMID

No Pcs to Complete Order:	
SIZE B	DWG. NO. 3D1-GOM-HWK-001_TECHNICAL_DWG
REV 0	

REVISION HISTORY	MACHINING PROPERTIES	INCH UNITS	SCALE: 1:1	WEIGHT:	SHEET 1 OF 1
------------------	----------------------	------------	------------	---------	--------------