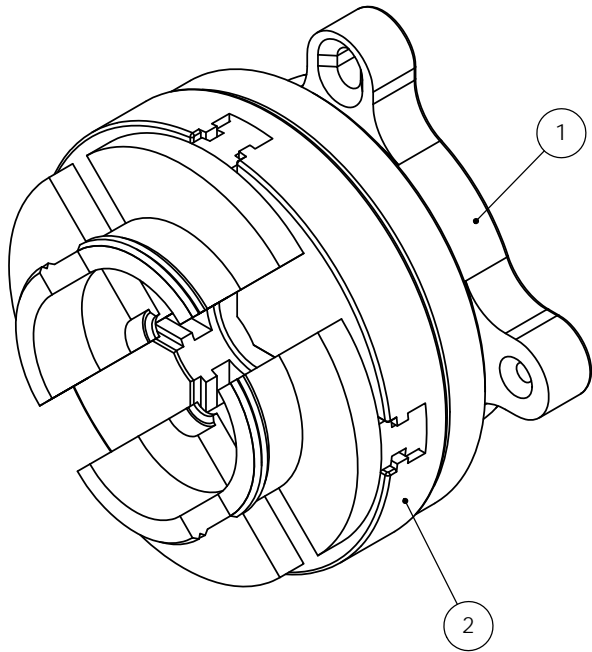


8	7	6	5	4	3	2	1
No. COMPONENTS IN ASSLY	OP1	OP2	OP3	OP4	OP5	OP6	

1	DATE ORDERED	ORDERED FROM	ITEM NO.	PART NUMBER	DESCRIPTION	QTY.
			1	R12-PRY-STD-001	ROTARY CHUCK BASE (21-0820-1-000)	1
			2	22-0113-1-000	4", 4 JAW ROTARY CHUCK ASSLY	1



PrymeFix
fixturing solutions

155 PRAIRIE LAKE RD, SUITE A
EAST DUNDEE, IL 60118
847.428.7122

3D PRINTER PROPERTIES			
Material 1:	<input type="checkbox"/> Support	Material 2:	<input type="checkbox"/> Support
Core 1:		Core 2:	

PROPRIETARY AND CONFIDENTIAL

THE INFORMATION CONTAINED IN THIS DRAWING IS THE SOLE PROPERTY OF PRYMEFIX. ANY REPRODUCTION IN PART OR AS A WHOLE WITHOUT THE WRITTEN PERMISSION OF PRYMEFIX IS PROHIBITED.

FILE NAME	R12-PRY-STD-001
DIRECTORY	P:\Manufacturing\PrymeFix Product Line\R11 Rotary Bases\R12-PRY-STD-001\

REVISION HISTORY	MACHINING PROPERTIES	INCH UNITS
1		
2		
3		
4		
5		
6		
7		

UNLESS OTHERWISE SPECIFIED

FRACTIONAL $\pm .003$
ANGULAR: ± 1.0
TWO PLACE DECIMAL $\pm .010$
THREE PLACE DECIMAL $\pm .003$
FOUR PLACE DECIMAL $\pm .0005$ (REAM)

HEAT TREAT **N/A**

No Pcs to Complete Order:

MATERIAL **Material <not specified>**

FINISH **N/A**

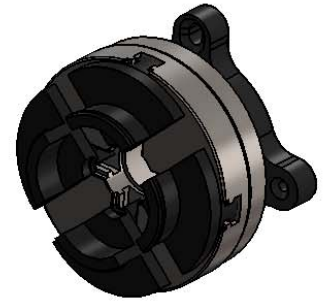
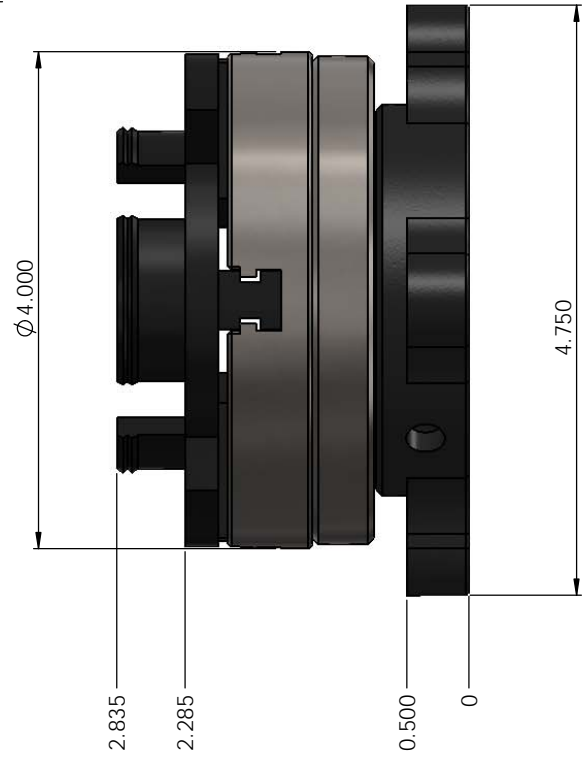
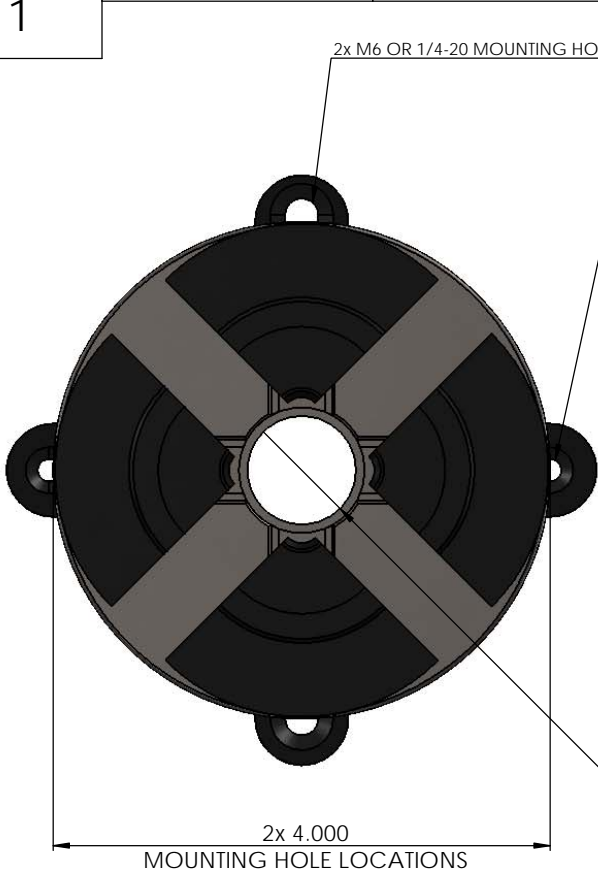
DRAWN BY: **RD** DATE: **1/13/2022**

TITLE:
4", 4 JAW ROTARY CHUCK FIXTURE

SIZE	DWG. NO.	REV
B	R12-PRY-STD-001 PRINTS	0

SCALE: 1:10 WEIGHT: SHEET 1 OF 3

8	7	6	5	4	3	2	1
No. COMPONENTS IN ASSLY	OP1	OP2	OP3	OP4	OP5	OP6	



PrymeFix
fixturing solutions
155 PRAIRIE LAKE RD, SUITE A
EAST DUNDEE, IL 60118
847.428.7122

3D PRINTER PROPERTIES			
Material 1:	<input type="checkbox"/> Support	Material 2:	<input type="checkbox"/> Support
Core 1:		Core 2:	

PROPRIETARY AND CONFIDENTIAL

THE INFORMATION CONTAINED IN THIS DRAWING IS THE SOLE PROPERTY OF PRYMETECH. ANY REPRODUCTION IN PART OR AS A WHOLE WITHOUT THE WRITTEN PERMISSION OF PRYMETECH IS PROHIBITED.

1	
2	
3	
4	
5	
6	
7	

UNLESS OTHERWISE SPECIFIED	
FRACTIONAL ± .003 ANGULAR: ± 1.0 TWO PLACE DECIMAL ± .010 THREE PLACE DECIMAL ± .003 FOUR PLACE DECIMAL ± .0005 (REAM)	
HEAT TREAT	N/A
MATERIAL	Material <not specified>
FINISH	N/A
No Pcs to Complete Order:	

DRAWN BY:	RD	DATE	1/13/2022
TITLE: 4", 4 JAW ROTARY CHUCK FIXTURE			
SIZE	DWG. NO.	REV	
B	R12-PRY-STD-001 PRINTS	0	

FILE NAME
R12-PRY-STD-001

DIRECTORY
P:\Manufacturing\PrymeFix Product Line\R11 Rotary Bases\R12-PRY-STD-001\

REVISION HISTORY	MACHINING PROPERTIES	INCH UNITS	SCALE: 1:10	WEIGHT:	SHEET 3 OF 3
------------------	----------------------	------------	-------------	---------	--------------