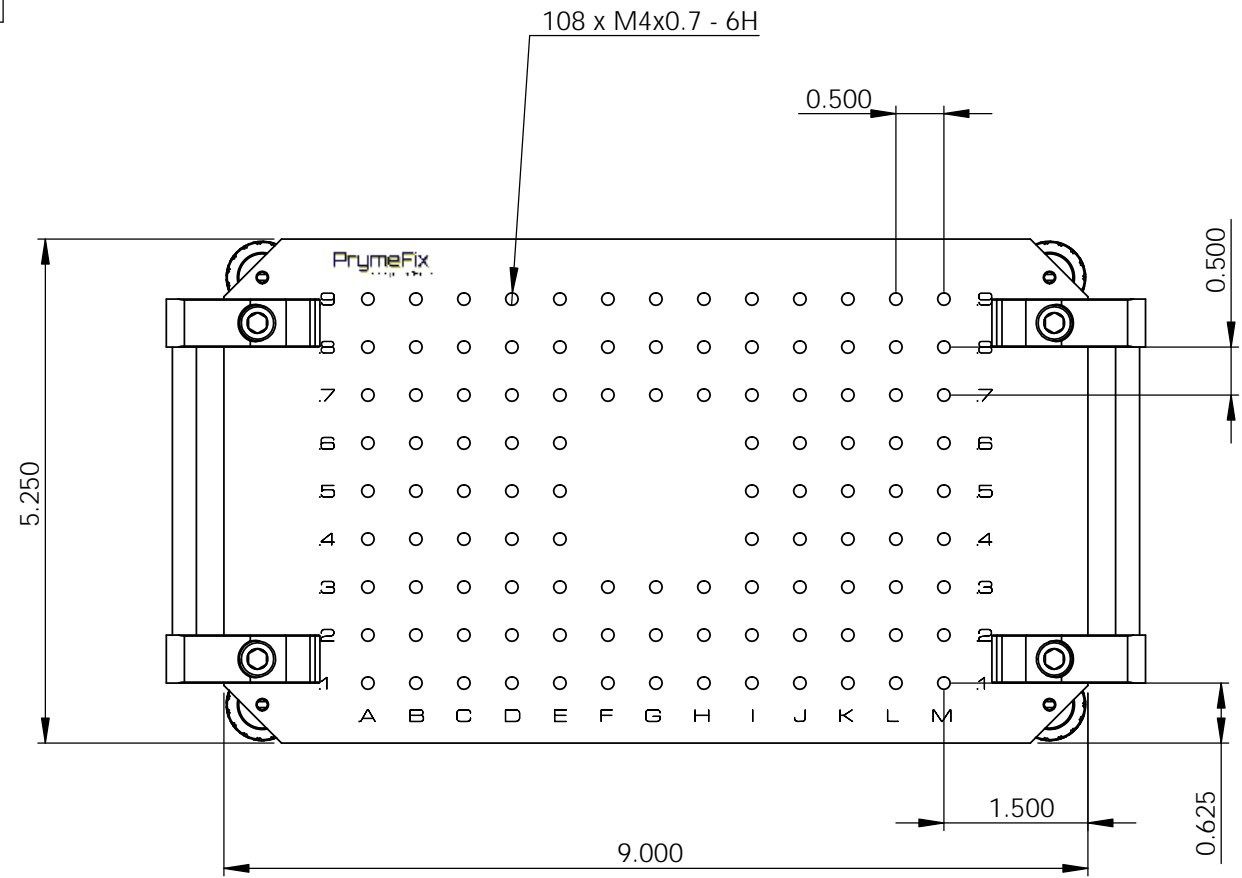
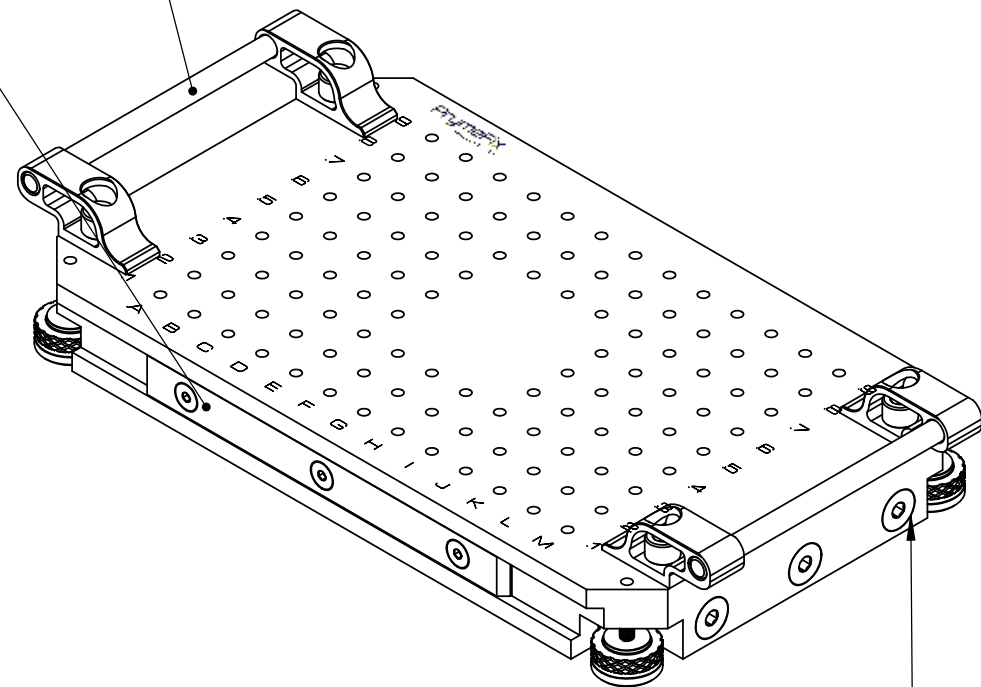


No. COMPONENTS IN ASSLY <b>1</b>	OP1	OP2	OP3	OP4	OP5	OP6



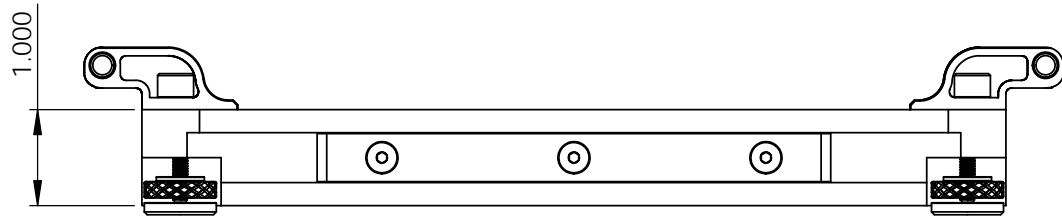
2x STEEL INSERT FOR MAGNETIC CONTACT WITH CORNER NEST

LOW PROFILE HANDLE (SOLD SEPARATELY)



4x LEVELING FEET

6x STEEL SCREW FOR MAGNETIC CONTACT WITH CORNER NEST



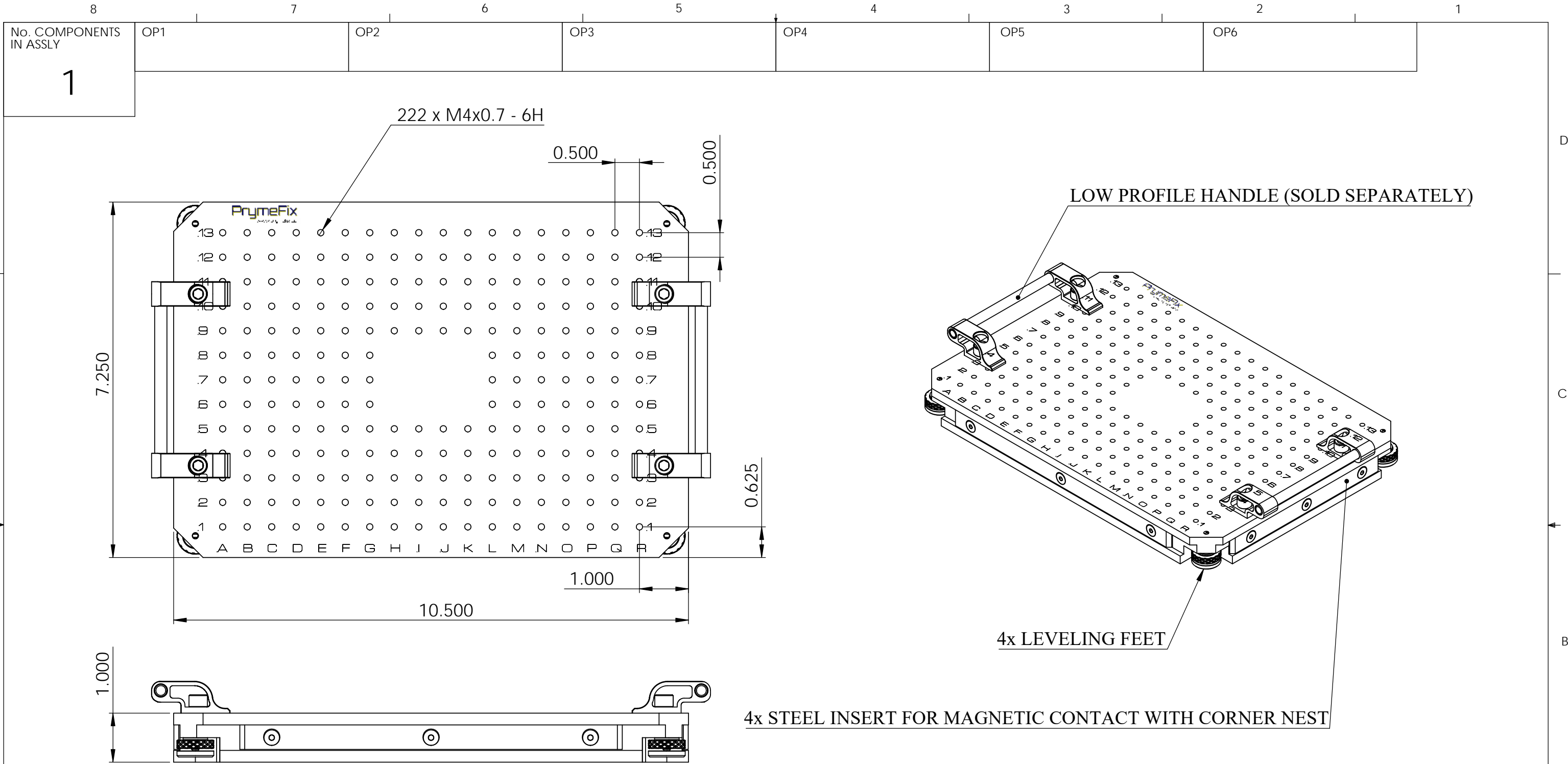
**PrymeFix**  
fixturing solutions

155 PRAIRIE LAKE RD, SUITE A  
EAST DUNDEE, IL 60118  
847.428.7122

FILE NAME  
IXX-PRY-STD-150075  
DIRECTORY  
P:\Manufacturing\PrymeFix Product Line\11 Inserts\IXX-PRY-STD-150075\

**PROPRIETARY AND CONFIDENTIAL**  
  
THE INFORMATION CONTAINED IN THIS DRAWING IS THE SOLE PROPERTY OF PRYMETECH. ANY REPRODUCTION IN PART OR AS A WHOLE WITHOUT THE WRITTEN PERMISSION OF PRYMETECH IS PROHIBITED.

1		UNLESS OTHERWISE SPECIFIED	DRAWN BY: <b>RD</b>	DATE 10/28/2015
2			FRACTIONAL ± .003 ANGULAR: ± 1.0 TWO PLACE DECIMAL ± .010 THREE PLACE DECIMAL ± .003 FOUR PLACE DECIMAL ± .0005 (REAM)	TITLE: 150075 INSERT: I22
3		HEAT TREAT <b>N/A</b>	No Pcs to Complete Order:	
4		MATERIAL <b>Acrylic</b>		SIZE <b>B</b>
5		FINISH <b>CLEAR</b>		REV <b>0</b>
6			SCALE: 1:2	WEIGHT: 2.30
7				SHEET 8 OF 9
REVISION HISTORY				



**PrymeFix**  
fixturing solutions

155 PRAIRIE LAKE RD, SUITE A  
EAST DUNDEE, IL 60118  
847.428.7122

FILE NAME  
I12-PRY-STD-200150  
DIRECTORY  
P:\Manufacturing\PrymeFix Product Line\I11 Inserts\IXX-PRY-STD-200150\

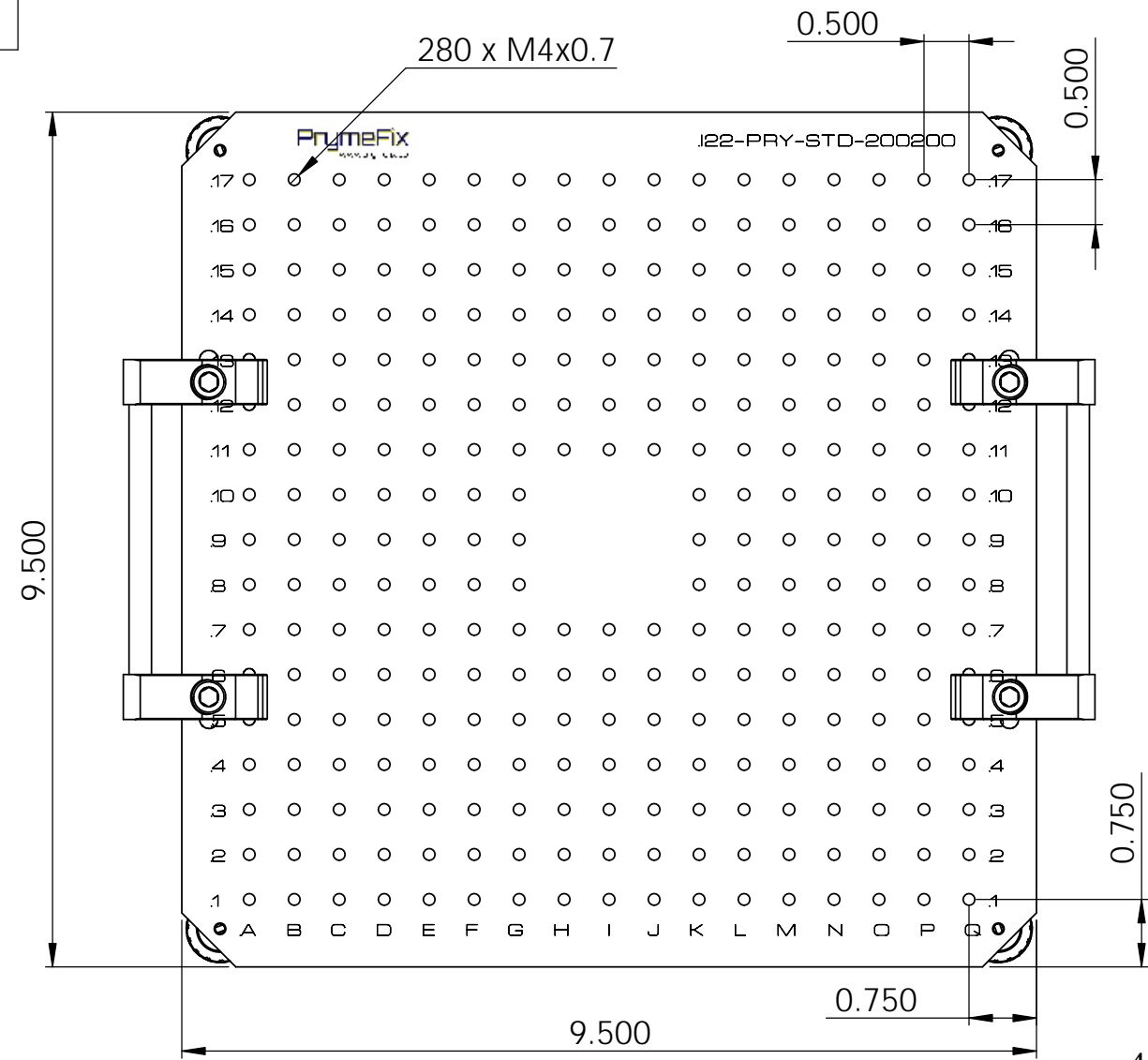
**PROPRIETARY AND CONFIDENTIAL**  
  
THE INFORMATION CONTAINED IN THIS DRAWING IS THE SOLE PROPERTY OF PRYMEFIX. ANY REPRODUCTION IN PART OR AS A WHOLE WITHOUT THE WRITTEN PERMISSION OF PRYMEFIX IS PROHIBITED.

1		UNLESS OTHERWISE SPECIFIED	DRAWN BY: <b>RD</b>	DATE 10/8/2013	
2			TITLE: 200150 INSERT: I22		
3		HEAT TREAT <b>N/A</b>	No Pcs to Complete Order:		
4			MATERIAL <b>Acrylic</b>	SIZE <b>B</b>	DWG. NO. IXX-PRY-STD-200150 PRINTS
5			FINISH <b>Clear</b>	REV <b>1</b>	
6			SCALE: 1:2	WEIGHT: 3.72	
7				SHEET 9 OF 10	
REVISION HISTORY					

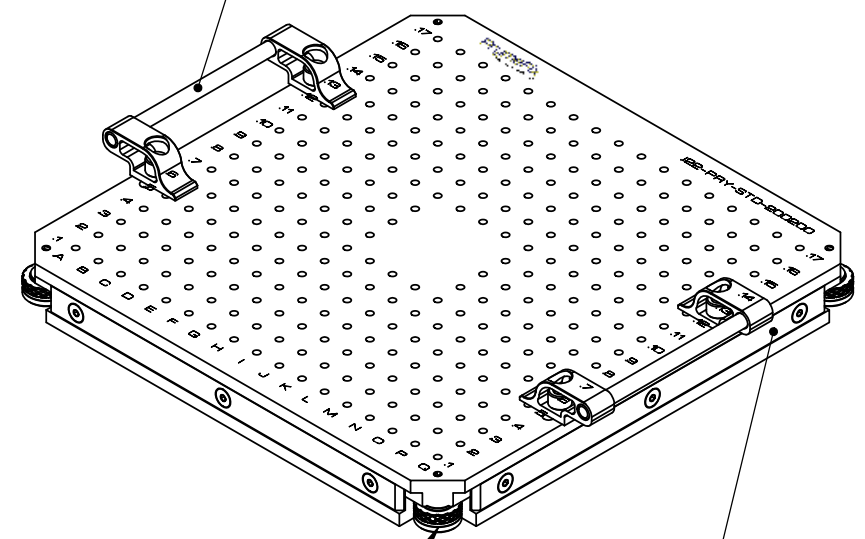
8	7	6	5	4	3	2	1
---	---	---	---	---	---	---	---

No. COMPONENTS IN ASSLY  
**1**

OP1	OP2	OP3	OP4	OP5	OP6
-----	-----	-----	-----	-----	-----

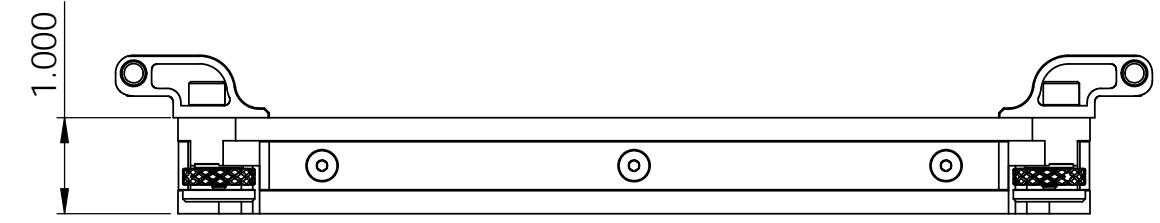


LOW PROFILE HANDLE (SOLD SEPARATELY)



4x LEVELING FEET

4x STEEL INSERT FOR MAGNETIC CONTACT WITH CORNER NEST



**PrymeFix**  
fixturing solutions

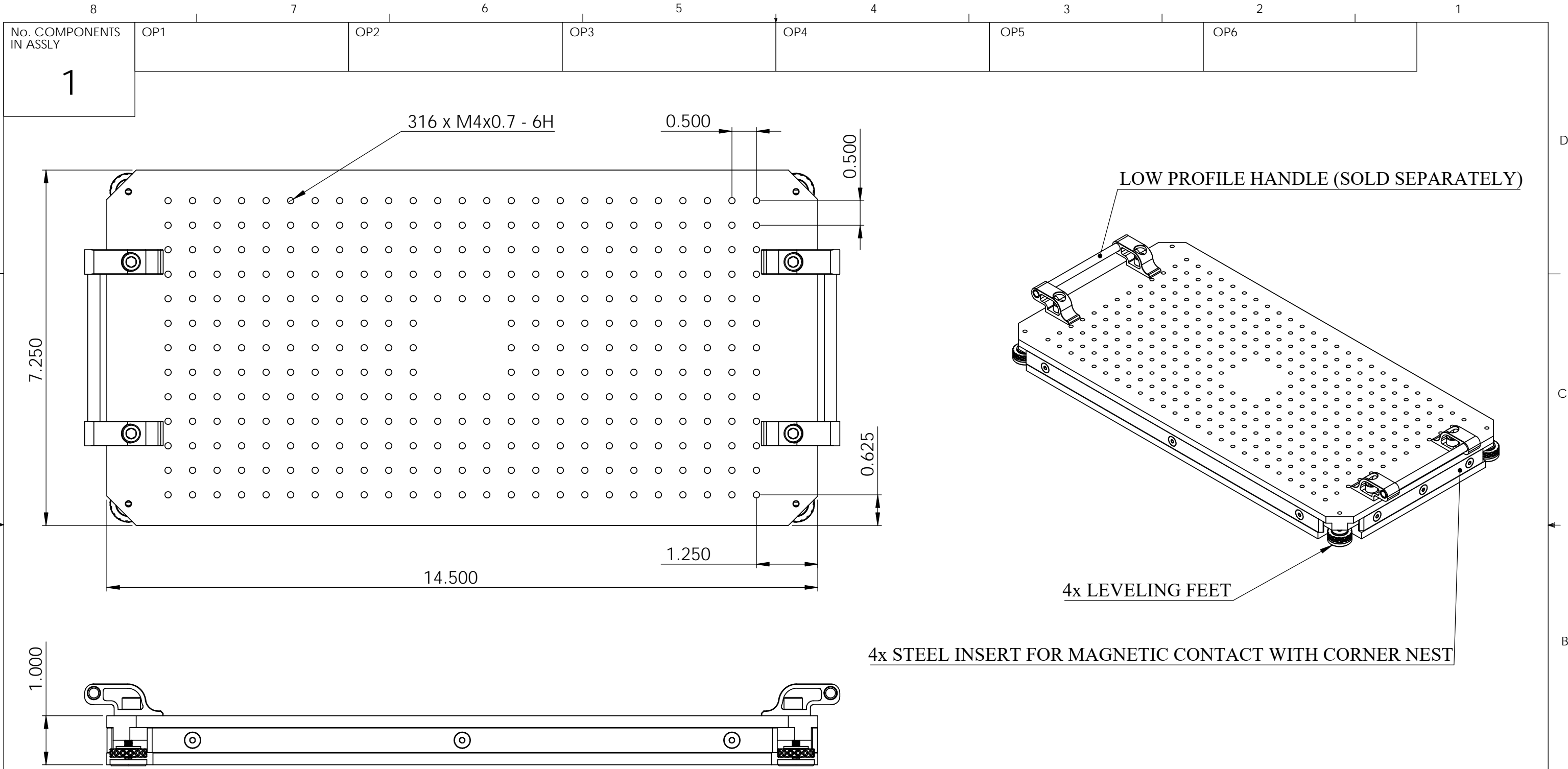
155 PRAIRIE LAKE RD, SUITE A  
EAST DUNDEE, IL 60118  
847.428.7122

FILE NAME  
I22-PRY-STD-200200  
DIRECTORY  
P:\Manufacturing\PrymeFix Product Line\I11 Inserts\IXX-OGP-SSF-200200\

**PROPRIETARY AND CONFIDENTIAL**  
  
THE INFORMATION CONTAINED IN THIS DRAWING IS THE SOLE PROPERTY OF PRYMEFIX. ANY REPRODUCTION IN PART OR AS A WHOLE WITHOUT THE WRITTEN PERMISSION OF PRYMEFIX IS PROHIBITED.

1		UNLESS OTHERWISE SPECIFIED  FRACTIONAL ± .003 ANGULAR: ± 1.0 TWO PLACE DECIMAL ± .010 THREE PLACE DECIMAL ± .003 FOUR PLACE DECIMAL ± .0005 (REAM)	DRAWN BY: <b>RD</b>	DATE 7/27/2013		
2			TITLE: <b>200200 INSERT: I22</b>			
3						
4			HEAT TREAT <b>N/A</b>	No Pcs to Complete Order:		
5			MATERIAL <b>Acrylic</b>			
6			FINISH <b>CLEAR</b>	SIZE <b>B</b>	DWG. NO. IXX-PRY-STD-200200	REV <b>1</b>
7			REVISION HISTORY	INCH UNITS	SCALE: 1:5	WEIGHT: 4.24

8	7	6	5	4	3	2	1
---	---	---	---	---	---	---	---

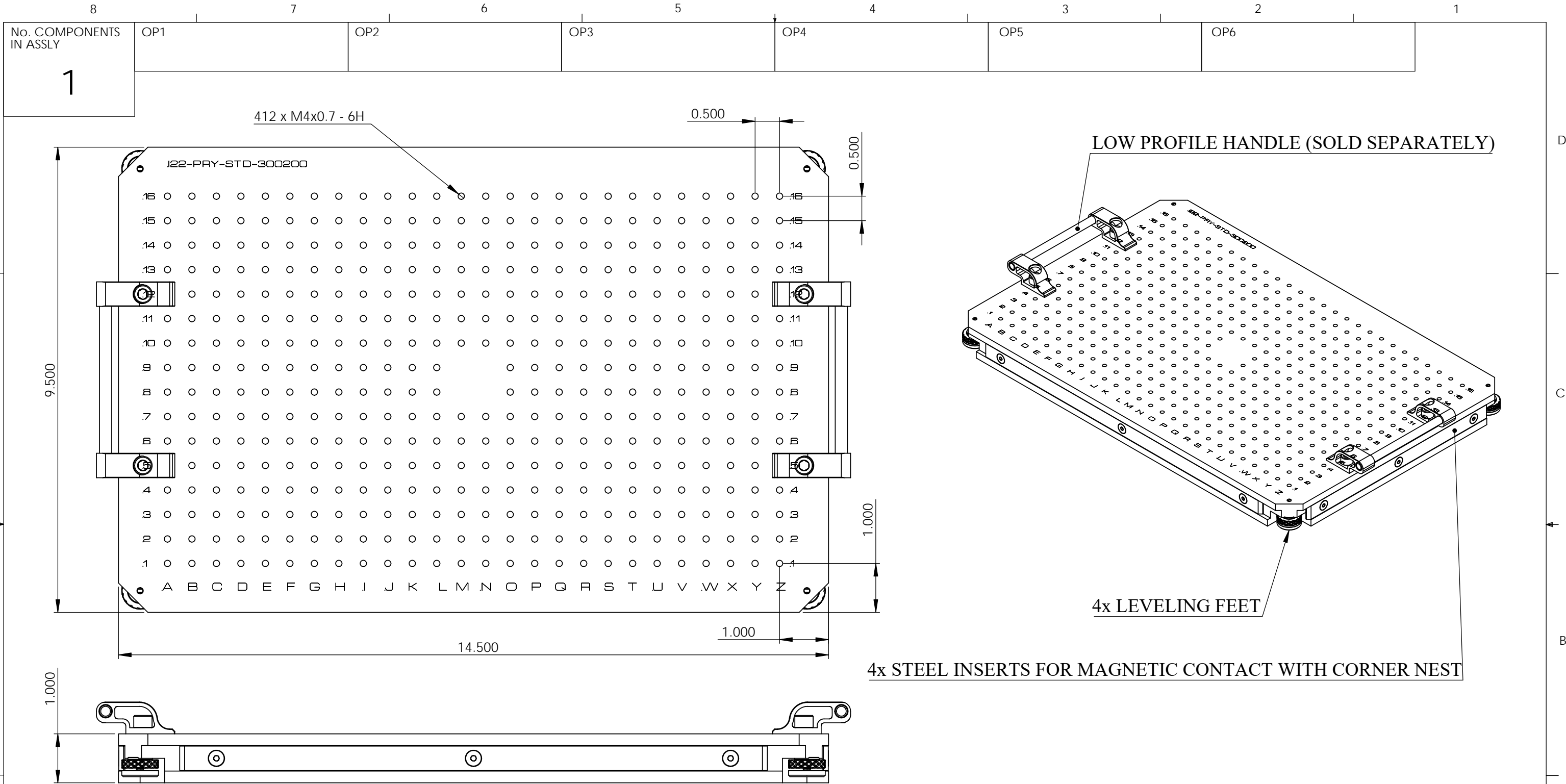


**PrymeFix**  
 fixturing solutions  
 155 PRAIRIE LAKE RD, SUITE A  
 EAST DUNDEE, IL 60118  
 847.428.7122

FILE NAME  
 Ixx-PRY-STD-300150  
 DIRECTORY  
 P:\Manufacturing\PrymeFix Product Line\I11 Inserts\IXX-PRY-STD-300150\

**PROPRIETARY AND CONFIDENTIAL**  
 THE INFORMATION CONTAINED IN THIS DRAWING IS THE SOLE PROPERTY OF PRYMEFIX. ANY REPRODUCTION IN PART OR AS A WHOLE WITHOUT THE WRITTEN PERMISSION OF PRYMEFIX IS PROHIBITED.

1		UNLESS OTHERWISE SPECIFIED  FRACTIONAL $\pm .003$ ANGULAR: $\pm 1.0$ TWO PLACE DECIMAL $\pm .010$ THREE PLACE DECIMAL $\pm .003$ FOUR PLACE DECIMAL $\pm .0005$ (REAM)	DRAWN BY: <b>RD</b>	DATE 10/2/2015	
2			TITLE: <b>300150 INSERT: I22</b>		
3					
4			HEAT TREAT <b>N/A</b>	No Pcs to Complete Order:	
5			MATERIAL <b>Acrylic</b>		
6			FINISH <b>Clear</b>		
7			INCH UNITS	SIZE <b>B</b>	DWG. NO. IXX-PRY-STD-300150 Technical Drawings
REVISION HISTORY		SCALE: 1:5	WEIGHT:	SHEET 5 OF 6	



**PrymeFix**  
fixturing solutions

155 PRAIRIE LAKE RD, SUITE A  
EAST DUNDEE, IL 60118  
847.428.7122

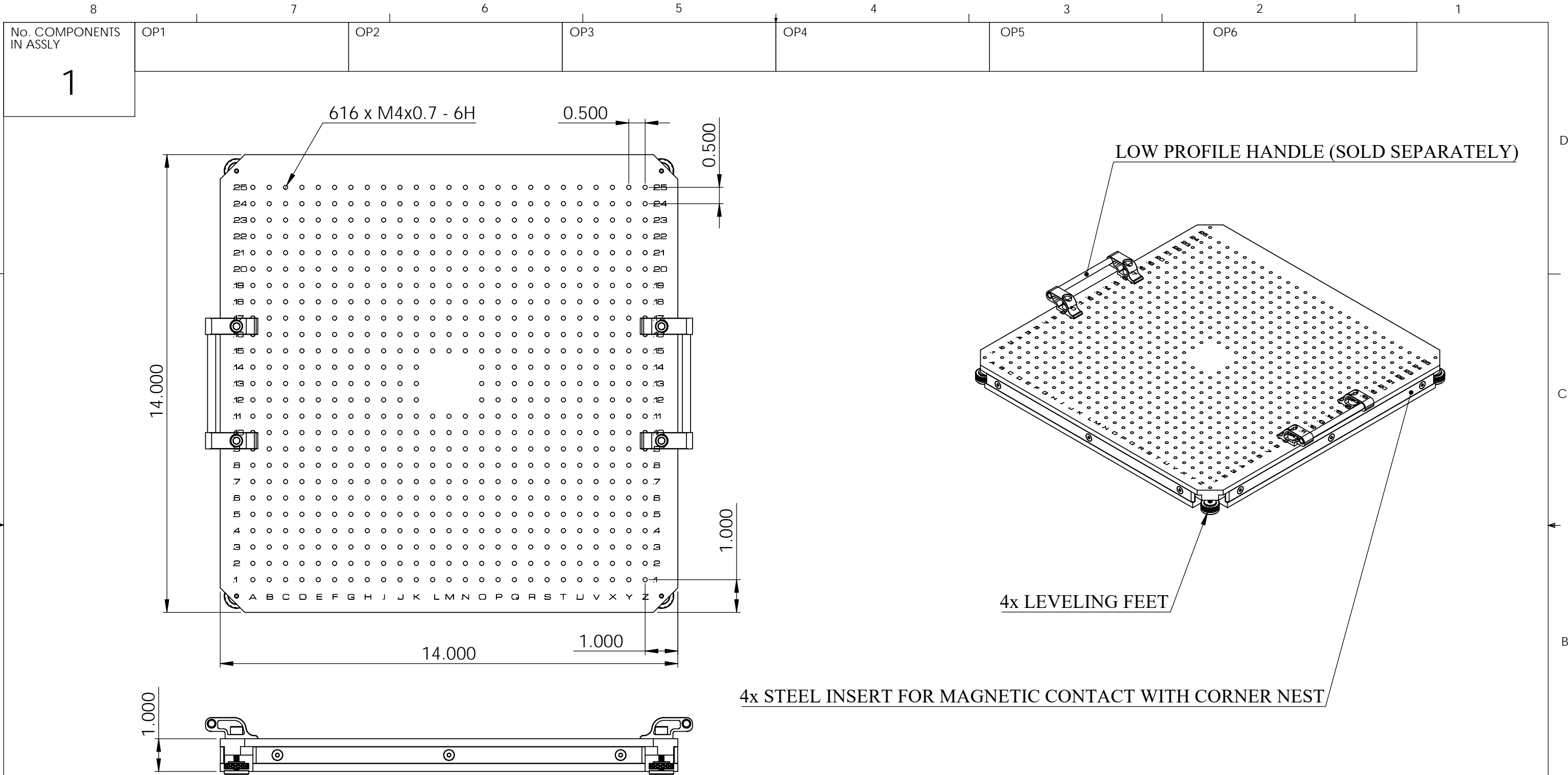
FILE NAME  
IXX-PRY-STD-300200  
DIRECTORY  
P:\Manufacturing\PrymeFix Product Line\I11 Inserts\IXX-PRY-STD-300200\

**PROPRIETARY AND CONFIDENTIAL**  
  
THE INFORMATION CONTAINED IN THIS DRAWING IS THE SOLE PROPERTY OF PRYMEFIX. ANY REPRODUCTION IN PART OR AS A WHOLE WITHOUT THE WRITTEN PERMISSION OF PRYMEFIX IS PROHIBITED.

1		UNLESS OTHERWISE SPECIFIED  FRACTIONAL: ± .003 ANGULAR: ± 1.0 TWO PLACE DECIMAL: ± .010 THREE PLACE DECIMAL: ± .003 FOUR PLACE DECIMAL: ± .0005 (REAM)	DRAWN BY: <b>AK</b>	DATE: 9/23/2015		
2			TITLE: <b>300200 INSERT: I22</b>			
3						
4			HEAT TREAT: <b>N/A</b>	No Pcs to Complete Order:		
5			MATERIAL: <b>Acrylic</b>			
6			FINISH: <b>Clear</b>	SIZE: <b>B</b>	DWG. NO.: IXX-PRY-STD-300200 PRINTS	REV: <b>0</b>
7				SCALE: 1:5	WEIGHT: 6.33	SHEET 11 OF 12
REVISION HISTORY		INCH UNITS				

A

A



**PrymeFix**  
 fixturing solutions

155 PRAIRIE LAKE RD, SUITE A  
 EAST DUNDEE, IL 60118  
 847.428.7122

FILE NAME  
 IXX-PRY-STD-300300

DIRECTORY  
 P:\Manufacturing\PrymeFix Product Line\11 Inserts\IXX-OGP-SSF-300300\

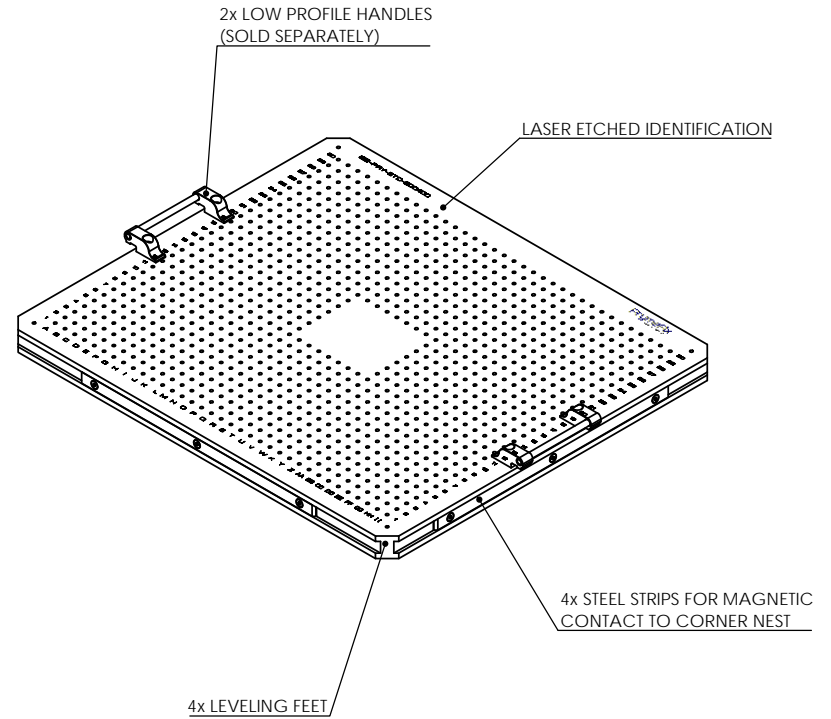
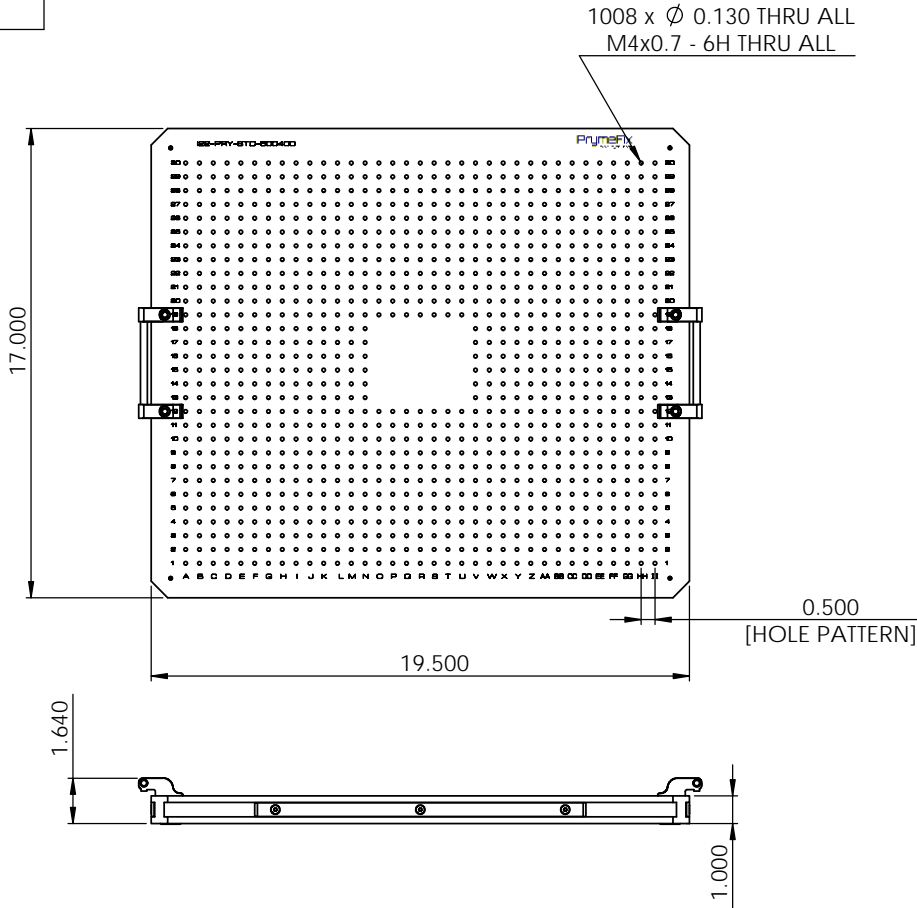
**PROPRIETARY AND CONFIDENTIAL**

THE INFORMATION CONTAINED IN THIS DRAWING IS THE SOLE PROPERTY OF PRYMEFIX. ANY REPRODUCTION IN PART OR AS A WHOLE WITHOUT THE WRITTEN PERMISSION OF PRYMEFIX IS PROHIBITED.

1		UNLESS OTHERWISE SPECIFIED  FRACTIONAL $\pm .003$ ANGULAR: $\pm 1.0$ TWO PLACE DECIMAL $\pm .010$ THREE PLACE DECIMAL $\pm .003$ FOUR PLACE DECIMAL $\pm .0005$ (REAM)	DRAWN BY: <b>RD</b>	DATE 8/1/2013		
2			TITLE: 300300 INSERT: I22			
3						
4			HEAT TREAT <b>N/A</b>	No Pcs to Complete Order:		
5			MATERIAL <b>Acrylic</b>			
6			FINISH <b>CLEAR</b>	SIZE <b>B</b>	DWG. NO. IXX-OGP-SSF-300300	REV <b>0</b>
7				SCALE: 1:5	WEIGHT: 8.72	SHEET 10 OF 11
REVISION HISTORY			INCH UNITS			

8	7	6	5	4	3	2	1
No. COMPONENTS IN ASSLY	OP1	OP2	OP3	OP4	OP5	OP6	

1



**PrymeFix**  
fixturing solutions

155 PRAIRIE LAKE RD, SUITE A  
EAST DUNDEE, IL 60118  
847.428.7122

FILE NAME  
IXX-PRY-STD-500400

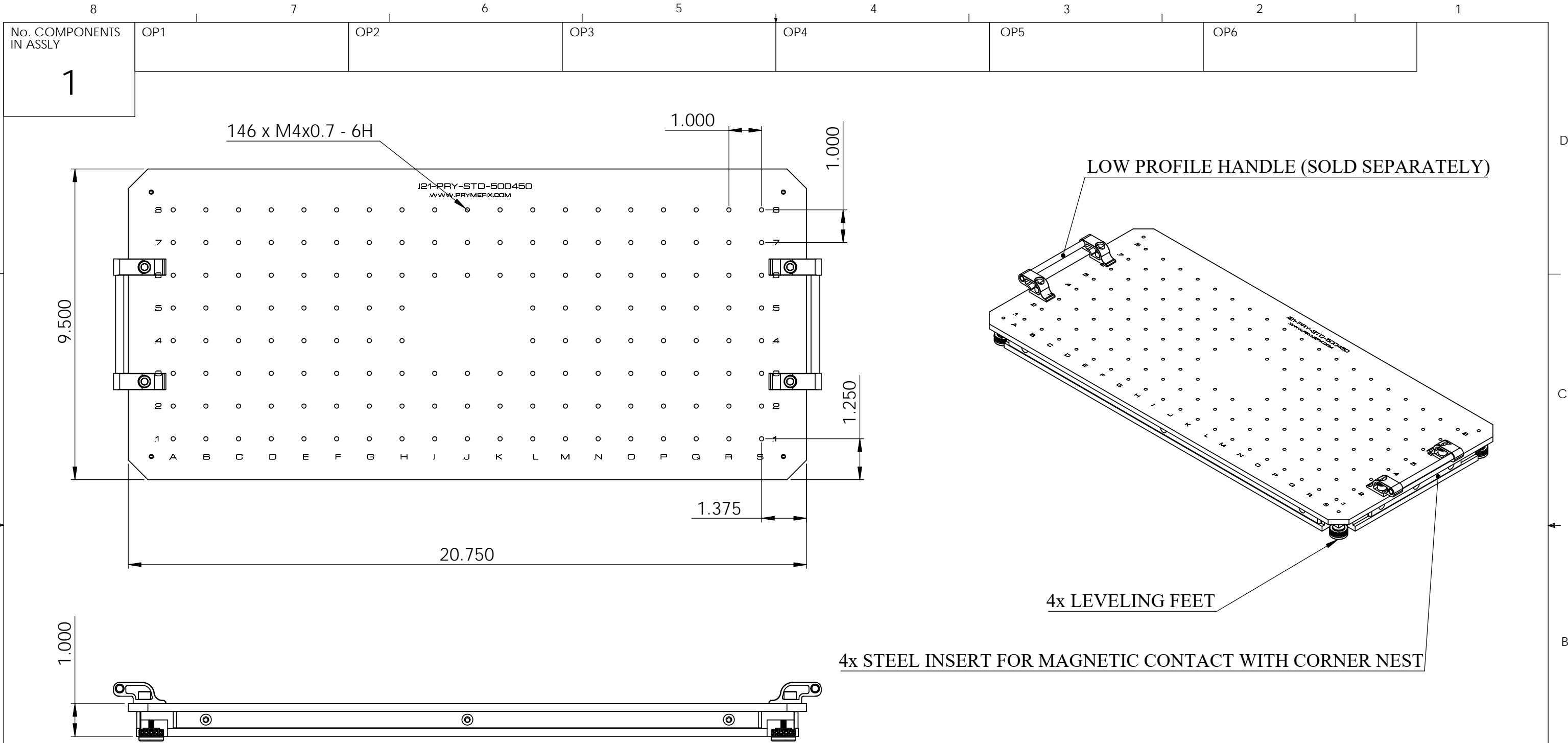
DIRECTORY  
P:\Manufacturing\PrymeFix Product Line\11 Inserts\IXX-PRY-STD-500400\

3D PRINTER PROPERTIES			
Material 1:	<input type="checkbox"/> Support	Material 2:	<input type="checkbox"/> Support
Core 1:		Core 2:	

**PROPRIETARY AND CONFIDENTIAL**

THE INFORMATION CONTAINED IN THIS DRAWING IS THE SOLE PROPERTY OF PRYMETECH. ANY REPRODUCTION IN PART OR AS A WHOLE WITHOUT THE WRITTEN PERMISSION OF PRYMETECH IS PROHIBITED.

<table border="1"> <tr><td>1</td><td></td></tr> <tr><td>2</td><td></td></tr> <tr><td>3</td><td></td></tr> <tr><td>4</td><td></td></tr> <tr><td>5</td><td></td></tr> <tr><td>6</td><td></td></tr> <tr><td>7</td><td></td></tr> </table>	1		2		3		4		5		6		7		UNLESS OTHERWISE SPECIFIED		DRAWN BY: <b>RD</b>	DATE: <b>9/23/2015</b>
	1																	
	2																	
	3																	
	4																	
	5																	
	6																	
7																		
FRACTIONAL $\pm$ .003 ANGULAR: $\pm$ 1.0 TWO PLACE DECIMAL $\pm$ .010 THREE PLACE DECIMAL $\pm$ .003 FOUR PLACE DECIMAL $\pm$ .0005 (REAM)		TITLE: <b>(122) M4 COMPLETE PATTERN INSERT, 500400</b>																
HEAT TREAT: <b>N/A</b>	No Pcs to Complete Order:	SIZE <b>B</b> DWG. NO. IXX-PRY-STD-500400 PRINTS																
MATERIAL: <b>Material &lt;not specified&gt;</b>		REV <b>0</b>																
FINISH: <b>N/A</b>		SCALE: 1:10 WEIGHT: SHEET 6 OF 6																
REVISION HISTORY	MACHINING PROPERTIES	INCH UNITS																



**PrymeFix**  
fixturing solutions

155 PRAIRIE LAKE RD, SUITE A  
EAST DUNDEE, IL 60118  
847.428.7122

FILE NAME  
IXX-PRY-STD-500450  
DIRECTORY  
P:\Manufacturing\PrymeFix Product Line\I11 Inserts\IXX-PRY-STD-500450\

**PROPRIETARY AND CONFIDENTIAL**  
  
THE INFORMATION CONTAINED IN THIS DRAWING IS THE SOLE PROPERTY OF PRYMEFIX. ANY REPRODUCTION IN PART OR AS A WHOLE WITHOUT THE WRITTEN PERMISSION OF PRYMEFIX IS PROHIBITED.

1		UNLESS OTHERWISE SPECIFIED  FRACTIONAL $\pm .003$ ANGULAR: $\pm 1.0$ TWO PLACE DECIMAL $\pm .010$ THREE PLACE DECIMAL $\pm .003$ FOUR PLACE DECIMAL $\pm .0005$ (REAM)	DRAWN BY: <b>RD</b>	DATE 8/7/2014	
2			TITLE: <b>500450 INSERT: I22</b>		
3					
4			HEAT TREAT <b>N/A</b>	No Pcs to Complete Order:	
5			MATERIAL <b>Acrylic</b>		
6			FINISH <b>Clear</b>		
7			INCH UNITS	SIZE <b>B</b>	DWG. NO. IXX-PRY-STD-001 PRINTS
REVISION HISTORY		SCALE: 1:5	WEIGHT: 8.71	SHEET 11 OF 12	