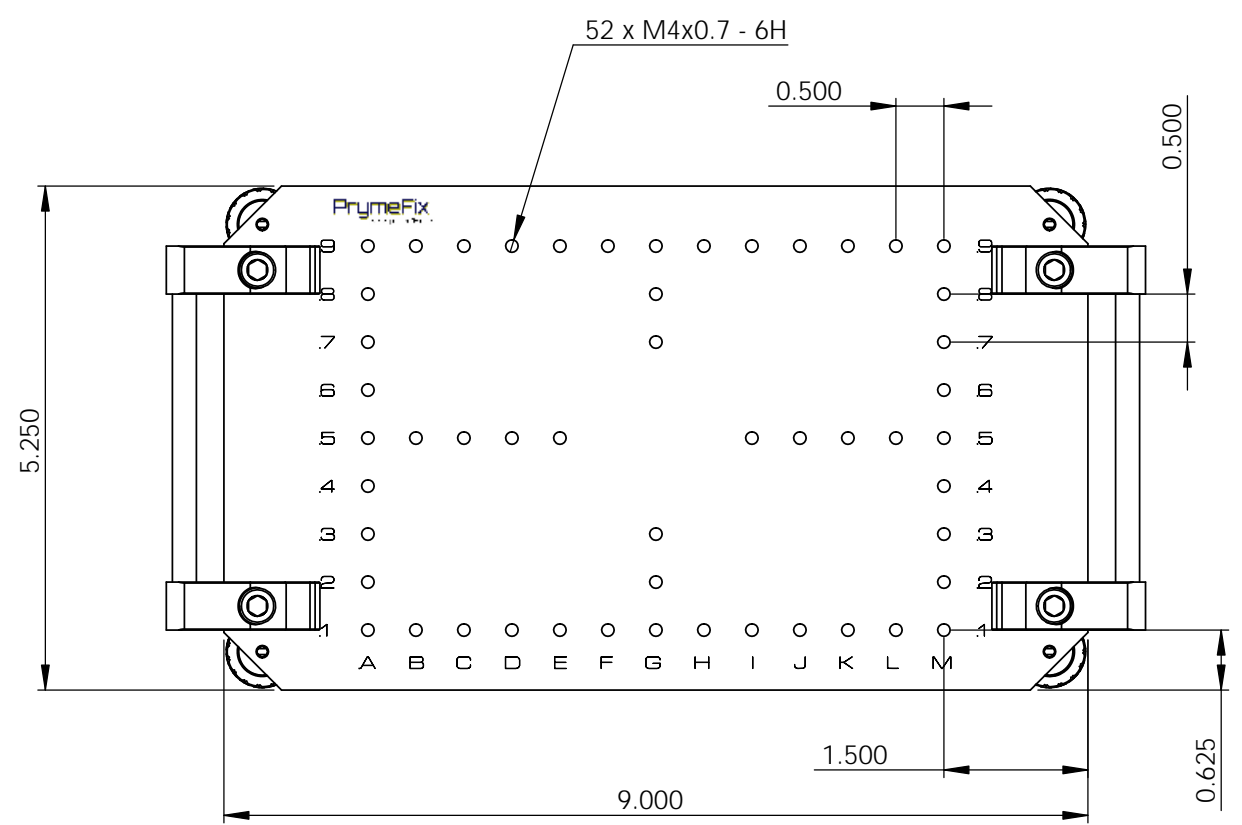
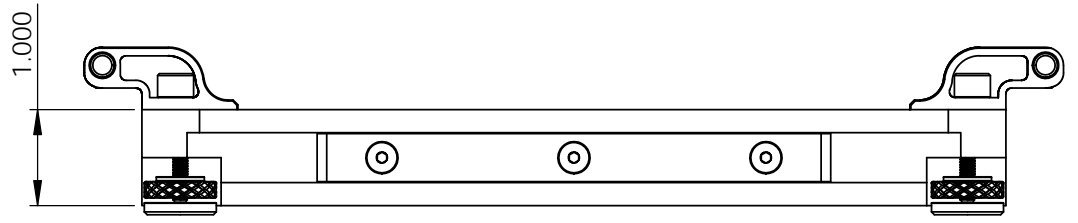
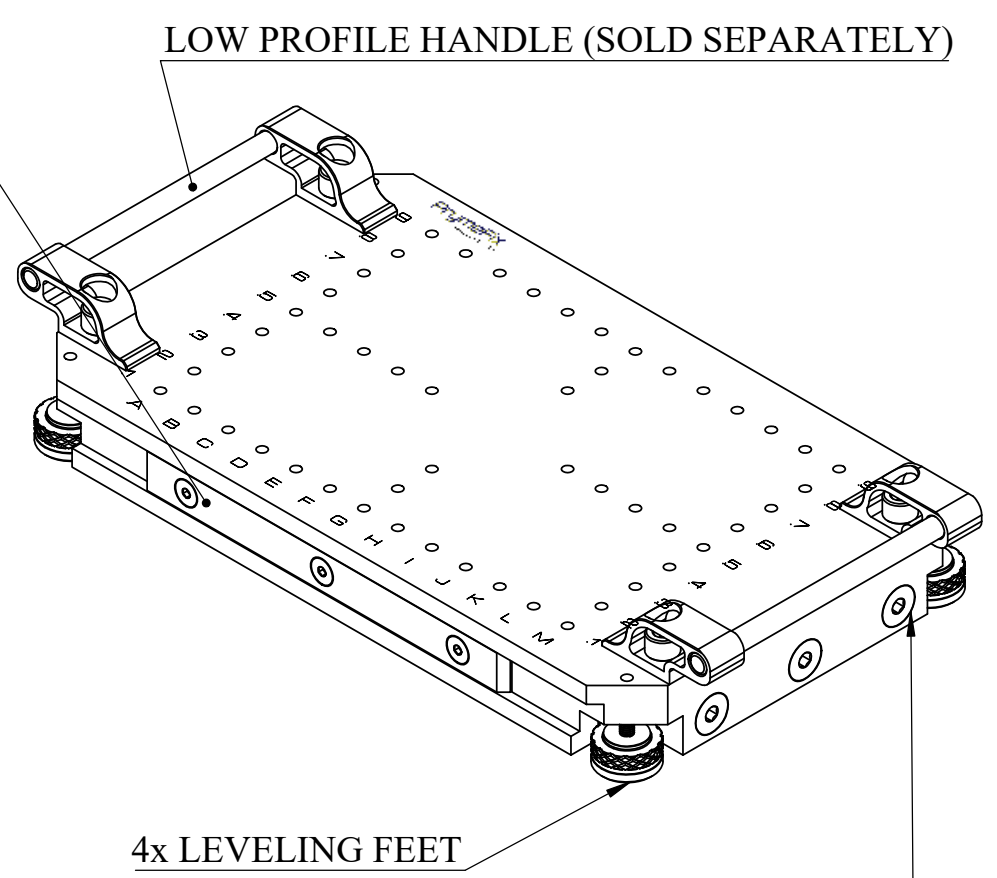


No. COMPONENTS IN ASSLY 1	OP1	OP2	OP3	OP4	OP5	OP6



2x STEEL INSERT FOR MAGNETIC CONTACT WITH CORNER NEST



6x STEEL SCREW FOR MAGNETIC CONTACT WITH CORNER NEST

PrymeFix
fixturing solutions

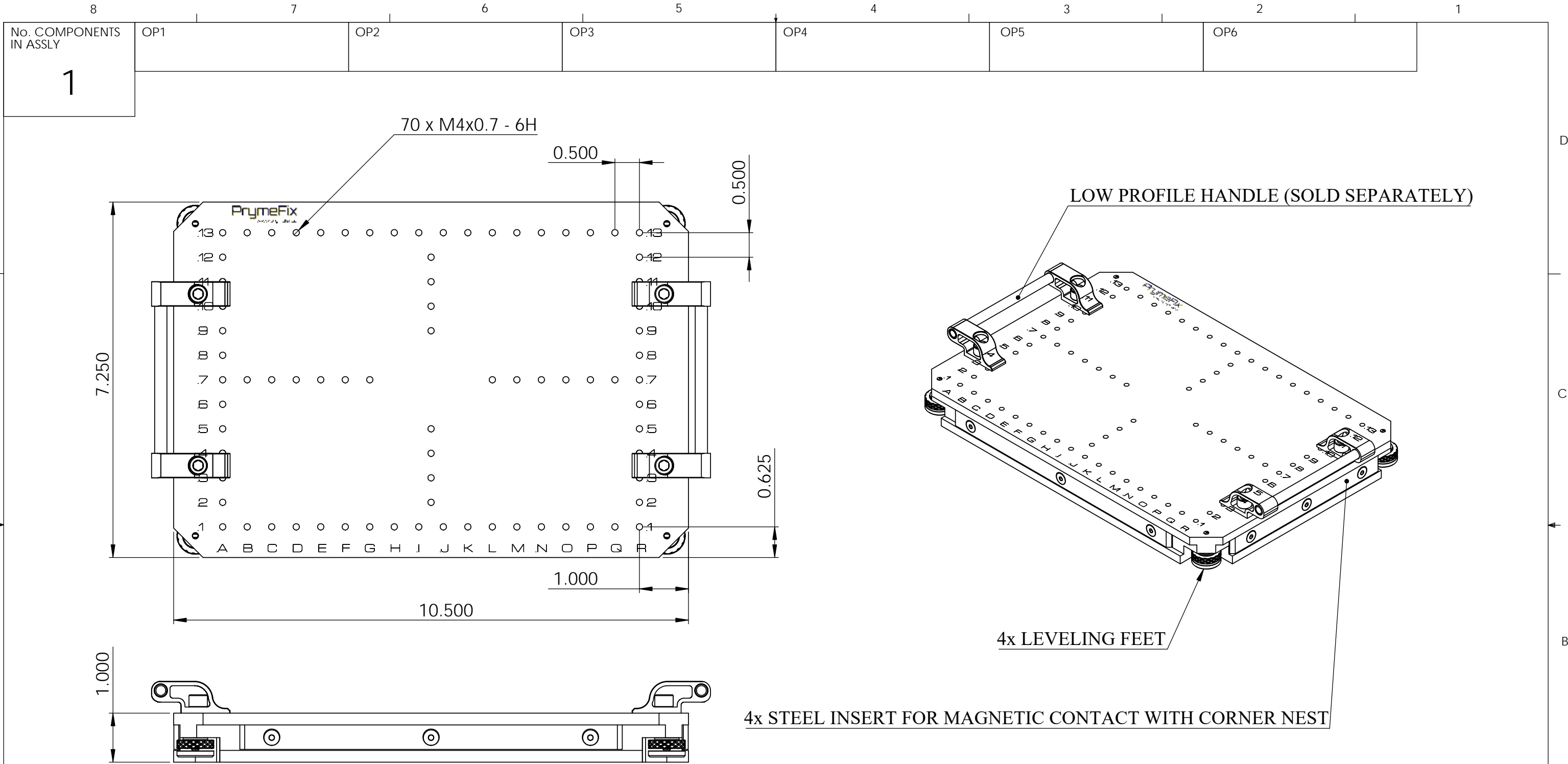
155 PRAIRIE LAKE RD, SUITE A
EAST DUNDEE, IL 60118
847.428.7122

FILE NAME
IXX-PRY-STD-150075
DIRECTORY
P:\Manufacturing\PrymeFix Product Line\11 Inserts\IXX-PRY-STD-150075\

PROPRIETARY AND CONFIDENTIAL

THE INFORMATION CONTAINED IN THIS DRAWING IS THE SOLE PROPERTY OF PRYMETECH. ANY REPRODUCTION IN PART OR AS A WHOLE WITHOUT THE WRITTEN PERMISSION OF PRYMETECH IS PROHIBITED.

1		UNLESS OTHERWISE SPECIFIED	DRAWN BY: RD	DATE 10/28/2015	
2			FRACTIONAL $\pm .003$ ANGULAR: ± 1.0 TWO PLACE DECIMAL $\pm .010$ THREE PLACE DECIMAL $\pm .003$ FOUR PLACE DECIMAL $\pm .0005$ (REAM)	TITLE: 150075 INSERT: I21	
3		HEAT TREAT N/A		No Pcs to Complete Order:	
4		MATERIAL Acrylic			
5		FINISH CLEAR	SIZE B	DWG. NO. IXX-PRY-STD-150075	REV 0
6		REVISION HISTORY	SCALE: 1:2	WEIGHT: 2.35	SHEET 7 OF 9
7			INCH UNITS		



PrymeFix
fixturing solutions

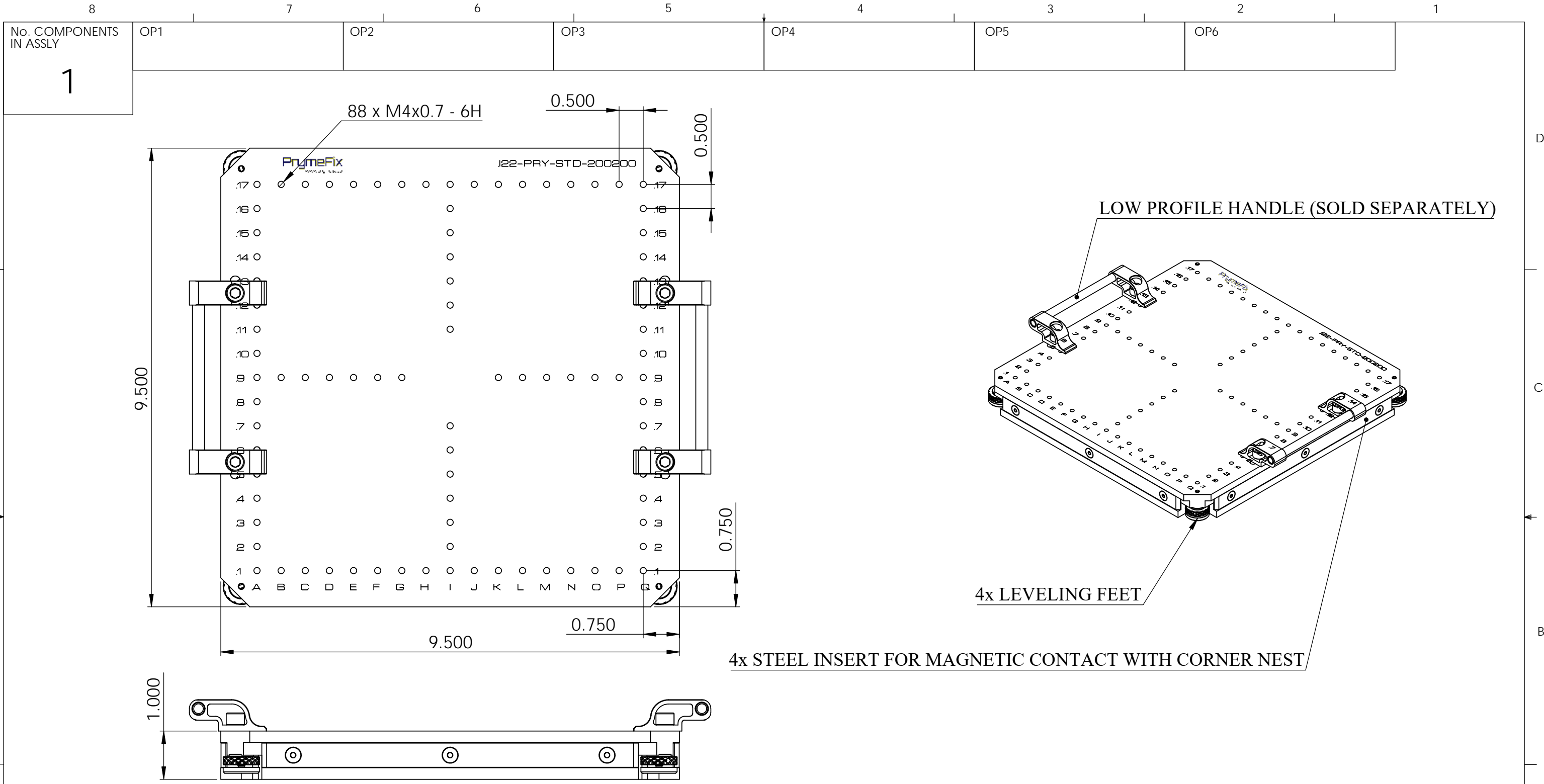
155 PRAIRIE LAKE RD, SUITE A
EAST DUNDEE, IL 60118
847.428.7122

FILE NAME
I12-PRY-STD-200150
DIRECTORY
P:\Manufacturing\PrymeFix Product Line\I11 Inserts\IXX-PRY-STD-200150\

PROPRIETARY AND CONFIDENTIAL

THE INFORMATION CONTAINED IN THIS DRAWING IS THE SOLE PROPERTY OF PRYMEFIX. ANY REPRODUCTION IN PART OR AS A WHOLE WITHOUT THE WRITTEN PERMISSION OF PRYMEFIX IS PROHIBITED.

1		UNLESS OTHERWISE SPECIFIED FRACTIONAL $\pm .003$ ANGULAR: ± 1.0 TWO PLACE DECIMAL $\pm .010$ THREE PLACE DECIMAL $\pm .003$ FOUR PLACE DECIMAL $\pm .0005$ (REAM)	DRAWN BY: RD	DATE 10/8/2013		
2			TITLE: 200150 INSERT: I21			
3						
4			HEAT TREAT N/A	No Pcs to Complete Order:		
5			MATERIAL Acrylic			
6			FINISH Clear	SIZE B	DWG. NO. IXX-PRY-STD-200150 PRINTS	REV 1
7			REVISION HISTORY	INCH UNITS	SCALE: 1:2	WEIGHT: 3.85



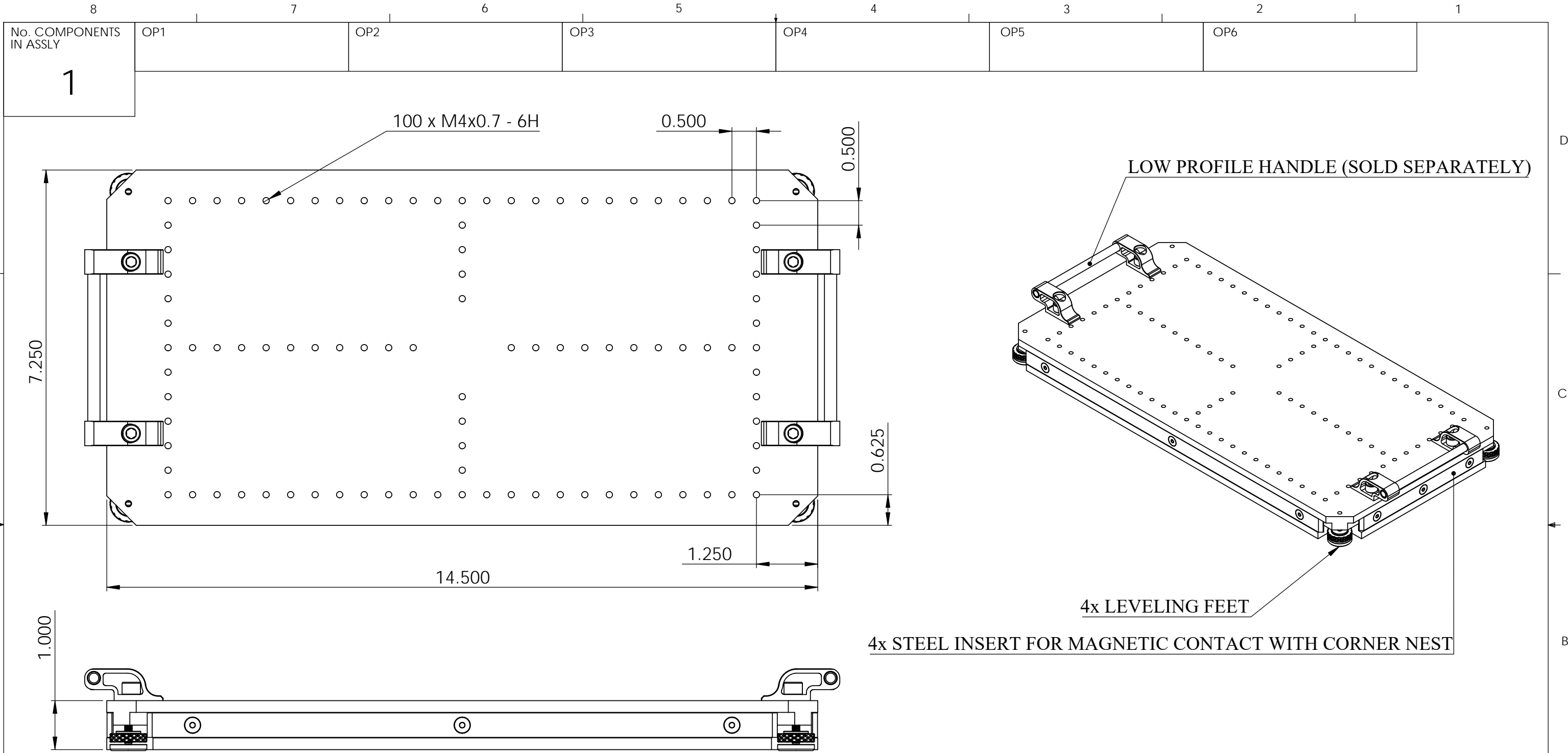
PrymeFix
 fixturing solutions

155 PRAIRIE LAKE RD, SUITE A
 EAST DUNDEE, IL 60118
 847.428.7122

FILE NAME
 I22-PRY-STD-200200
 DIRECTORY
 P:\Manufacturing\PrymeFix Product Line\I11 Inserts\IXX-OGP-SSF-200200\

PROPRIETARY AND CONFIDENTIAL
 THE INFORMATION CONTAINED IN THIS DRAWING IS THE SOLE PROPERTY OF PRYMEFIX. ANY REPRODUCTION IN PART OR AS A WHOLE WITHOUT THE WRITTEN PERMISSION OF PRYMEFIX IS PROHIBITED.

1		UNLESS OTHERWISE SPECIFIED FRACTIONAL ± .003 ANGULAR: ± 1.0 TWO PLACE DECIMAL ± .010 THREE PLACE DECIMAL ± .003 FOUR PLACE DECIMAL ± .0005 (REAM)	DRAWN BY: RD	DATE 7/27/2013		
2			TITLE: 200200 INSERT: I21			
3						
4			HEAT TREAT N/A	No Pcs to Complete Order:		
5			MATERIAL Acrylic			
6			FINISH CLEAR	SIZE B	DWG. NO. IXX-PRY-STD-200200	REV 1
7			INCH UNITS	SCALE: 1:5	WEIGHT: 4.44	SHEET 10 OF 12



PrymeFix

fixturing solutions

155 PRAIRIE LAKE RD, SUITE A
EAST DUNDEE, IL 60118
847.428.7122

FILE NAME
Ixx-PRY-STD-300150
DIRECTORY
P:\Manufacturing\PrymeFix Product Line\I11 Inserts\IXX-PRY-STD-300150\

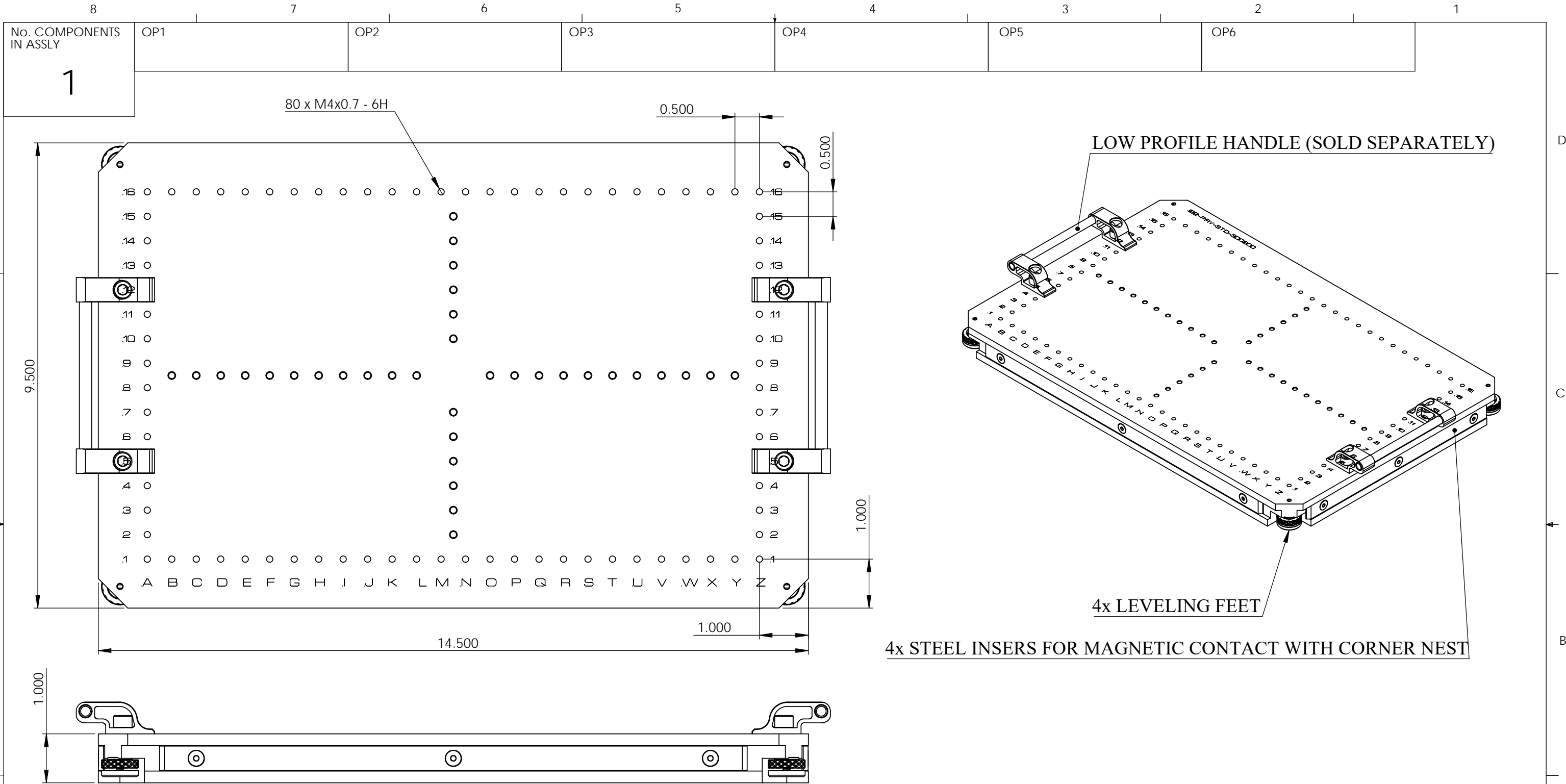
PROPRIETARY AND CONFIDENTIAL

THE INFORMATION CONTAINED IN THIS DRAWING IS THE SOLE PROPERTY OF PRYMETECH. ANY REPRODUCTION IN PART OR AS A WHOLE WITHOUT THE WRITTEN PERMISSION OF PRYMETECH IS PROHIBITED.

1	UNLESS OTHERWISE SPECIFIED	DRAWN BY: RD DATE: 10/2/2015		
2				
3				
4				
5			HEAT TREAT N/A	No Pcs to Complete Order:
6			MATERIAL Acrylic	
7			FINISH Clear	
REVISION HISTORY		INCH UNITS		
		SCALE: 1:5		
		WEIGHT:		
		SHEET 4 OF 6		

TITLE:
300150 INSERT: I21

SIZE **B** DWG. NO. IXX-PRY-STD-300150
Technical Drawings REV **1**



PrymeFix
fixturing solutions

155 PRAIRIE LAKE RD, SUITE A
EAST DUNDEE, IL 60118
847.428.7122

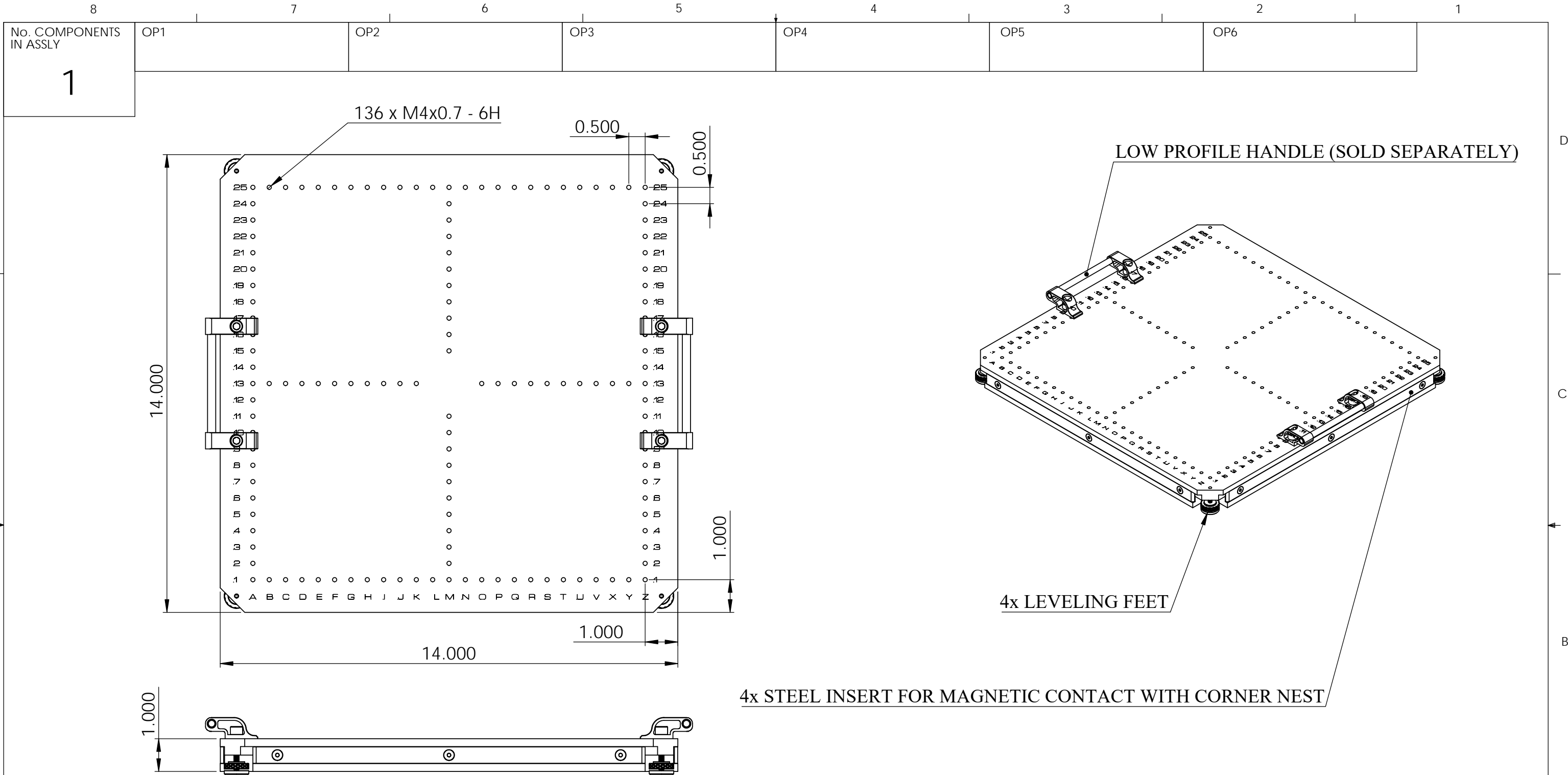
FILE NAME
IXX-PRY-STD-300200

DIRECTORY
P:\Manufacturing\PrymeFix Product Line\I11 Inserts\IXX-PRY-STD-300200\

PROPRIETARY AND CONFIDENTIAL

THE INFORMATION CONTAINED IN THIS DRAWING IS THE SOLE PROPERTY OF PRYMETECH. ANY REPRODUCTION IN PART OR AS A WHOLE WITHOUT THE WRITTEN PERMISSION OF PRYMETECH IS PROHIBITED.

1		UNLESS OTHERWISE SPECIFIED FRACTIONAL: ± .003 ANGULAR: ± 1.0 TWO PLACE DECIMAL: ± .010 THREE PLACE DECIMAL: ± .003 FOUR PLACE DECIMAL: ± .0005 (REAM)	DRAWN BY: AK	DATE: 9/23/2015	
2			TITLE: 300200 INSERT: I21		
3			HEAT TREAT: N/A	No Pcs to Complete Order:	
4			MATERIAL: Acrylic	SIZE: B	DWG. NO. IXX-PRY-STD-300200 PRINTS
5			FINISH: Clear	REV: 0	
6				SCALE: 1:5	WEIGHT: 6.60
7				SHEET 10 OF 12	
REVISION HISTORY		INCH UNITS			



PrymeFix
fixturing solutions

155 PRAIRIE LAKE RD, SUITE A
EAST DUNDEE, IL 60118
847.428.7122

FILE NAME
IXX-PRY-STD-300300
DIRECTORY
P:\Manufacturing\PrymeFix Product Line\11 Inserts\IXX-OGP-SSF-300300\

PROPRIETARY AND CONFIDENTIAL

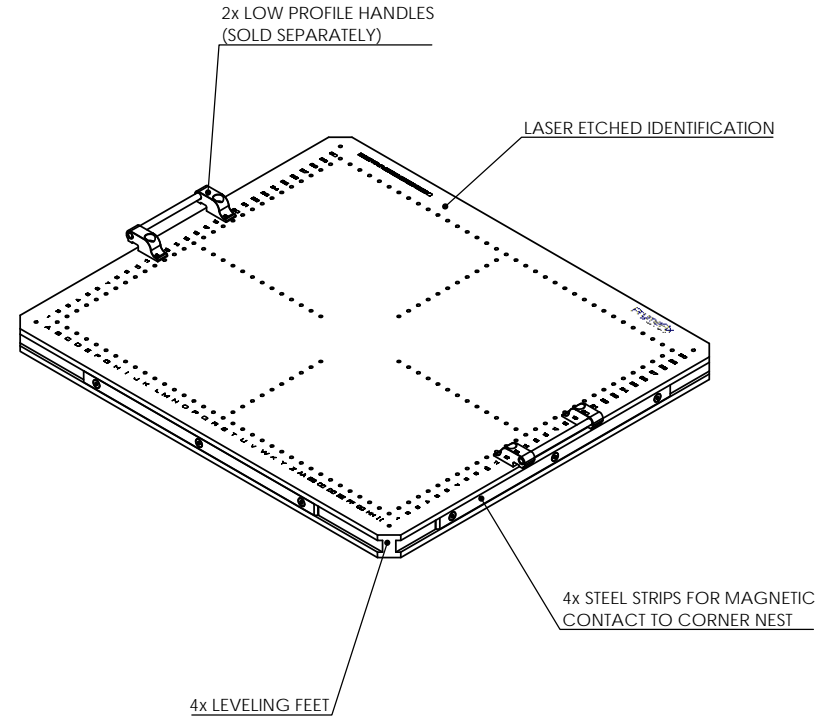
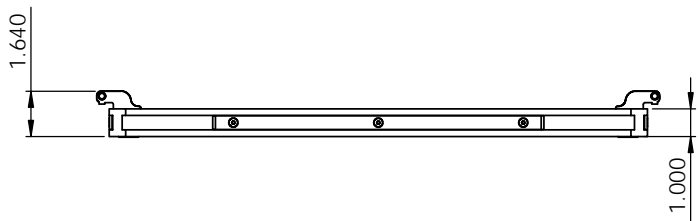
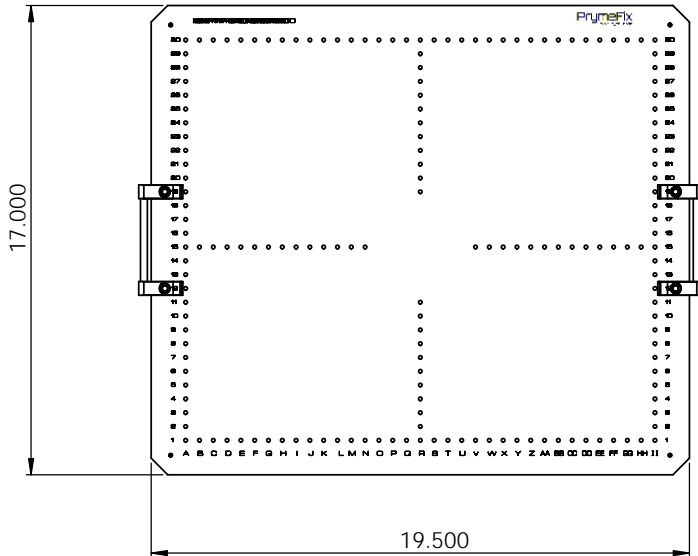
THE INFORMATION CONTAINED IN THIS DRAWING IS THE SOLE PROPERTY OF PRYMEFIX. ANY REPRODUCTION IN PART OR AS A WHOLE WITHOUT THE WRITTEN PERMISSION OF PRYMEFIX IS PROHIBITED.

1		UNLESS OTHERWISE SPECIFIED FRACTIONAL $\pm .003$ ANGULAR: ± 1.0 TWO PLACE DECIMAL $\pm .010$ THREE PLACE DECIMAL $\pm .003$ FOUR PLACE DECIMAL $\pm .0005$ (REAM)	DRAWN BY: RD	DATE 8/1/2013		
2			TITLE: 300300 INSERT: I21			
3						
4			HEAT TREAT N/A	No Pcs to Complete Order:		
5			MATERIAL Acrylic			
6			FINISH CLEAR			
7			REVISION HISTORY	INCH UNITS	SCALE: 1:5	WEIGHT: 9.19

SIZE **B** DWG. NO. IXX-OGP-SSF-300300 REV **0**

8	7	6	5	4	3	2	1
No. COMPONENTS IN ASSLY	OP1	OP2	OP3	OP4	OP5	OP6	

1



PrymeFix
 fixturing solutions
 155 PRAIRIE LAKE RD, SUITE A
 EAST DUNDEE, IL 60118
 847.428.7122

3D PRINTER PROPERTIES			
Material 1:	<input type="checkbox"/> Support	Material 2:	<input type="checkbox"/> Support
Core 1:		Core 2:	

PROPRIETARY AND CONFIDENTIAL
 THE INFORMATION CONTAINED IN THIS DRAWING IS THE SOLE PROPERTY OF PRYMETECH. ANY REPRODUCTION IN PART OR AS A WHOLE WITHOUT THE WRITTEN PERMISSION OF PRYMETECH IS PROHIBITED.

1	
2	
3	
4	
5	
6	
7	

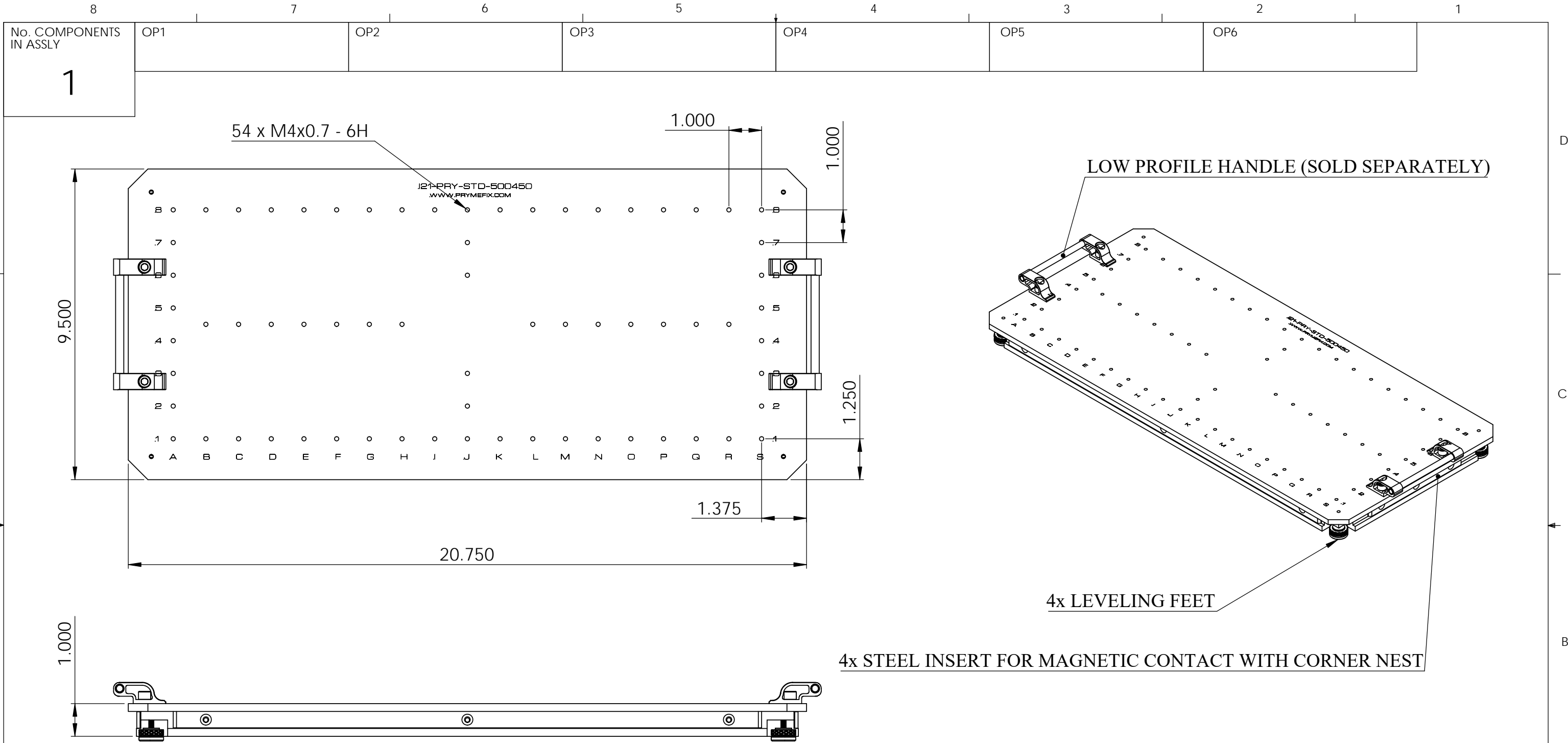
UNLESS OTHERWISE SPECIFIED	
FRACTIONAL $\pm .003$ ANGULAR: ± 1.0 TWO PLACE DECIMAL $\pm .010$ THREE PLACE DECIMAL $\pm .003$ FOUR PLACE DECIMAL $\pm .0005$ (REAM)	
HEAT TREAT	N/A
MATERIAL	Material <not specified>
FINISH	N/A
No Pcs to Complete Order:	

DRAWN BY:	RD	DATE:	9/23/2015
TITLE:			
(121) M4 CROSS PATTERN INSERT, 500400			
SIZE	DWG. NO.	REV	
B	IXX-PRY-STD-500400 PRINTS	0	

FILE NAME
 IXX-PRY-STD-500400
 DIRECTORY
 P:\Manufacturing\PrymeFix Product Line\11 Inserts\IXX-PRY-STD-500400\

REVISION HISTORY	MACHINING PROPERTIES	INCH UNITS	SCALE: 1:10	WEIGHT:	SHEET 8 OF 10
------------------	----------------------	------------	-------------	---------	---------------

8 7 6 5 4 3 2 1



PrymeFix
 fixturing solutions

155 PRAIRIE LAKE RD, SUITE A
 EAST DUNDEE, IL 60118
 847.428.7122

FILE NAME
 IXX-PRY-STD-500450
 DIRECTORY
 P:\Manufacturing\PrymeFix Product Line\I11 Inserts\IXX-PRY-STD-500450\

PROPRIETARY AND CONFIDENTIAL
 THE INFORMATION CONTAINED IN THIS DRAWING IS THE SOLE PROPERTY OF PRYMEFIX. ANY REPRODUCTION IN PART OR AS A WHOLE WITHOUT THE WRITTEN PERMISSION OF PRYMEFIX IS PROHIBITED.

1		UNLESS OTHERWISE SPECIFIED FRACTIONAL $\pm .003$ ANGULAR: ± 1.0 TWO PLACE DECIMAL $\pm .010$ THREE PLACE DECIMAL $\pm .003$ FOUR PLACE DECIMAL $\pm .0005$ (REAM)	DRAWN BY: RD	DATE 8/7/2014	
2			TITLE: 500450 INSERT: I21		
3					
4			HEAT TREAT N/A	No Pcs to Complete Order:	
5			MATERIAL Acrylic		
6			FINISH Clear		
7			INCH UNITS	SIZE B	DWG. NO. IXX-PRY-STD-001 PRINTS
REVISION HISTORY			SCALE: 1:5	WEIGHT: 8.78	SHEET 10 OF 12