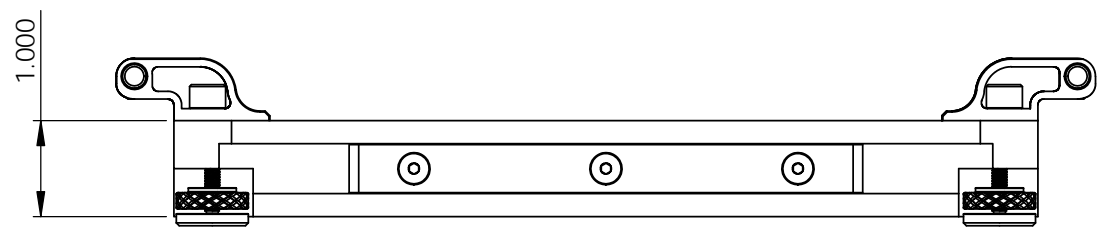
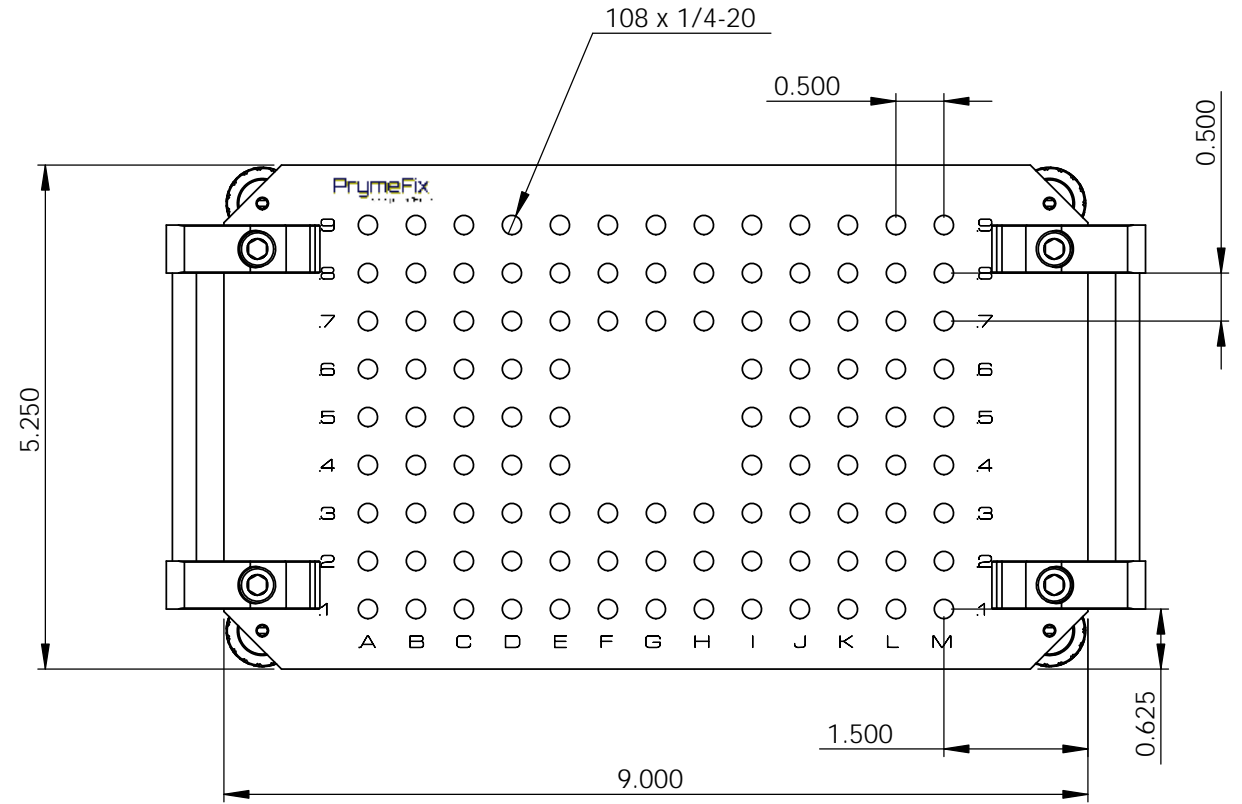
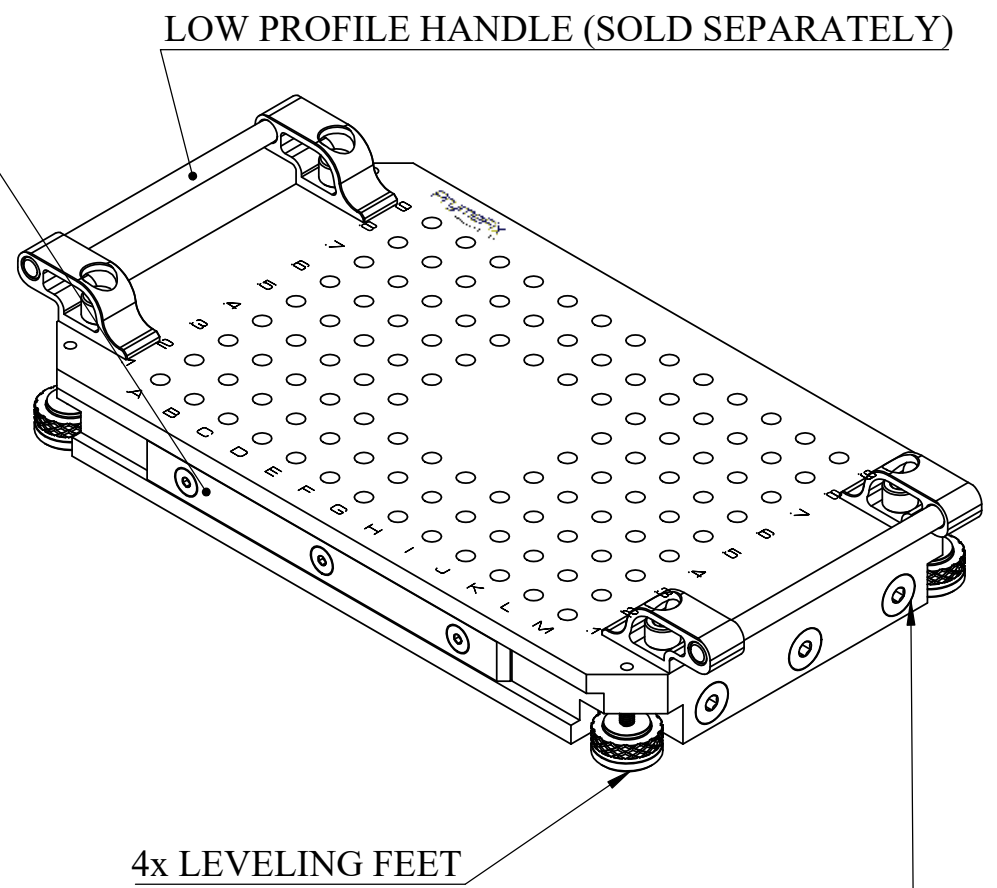


No. COMPONENTS IN ASSLY	OP1	OP2	OP3	OP4	OP5	OP6
1						



2x STEEL INSERT FOR MAGNETIC CONTACT WITH CORNER NEST



6x STEEL SCREW FOR MAGNETIC CONTACT WITH CORNER NEST

**PrymeFix**  
fixturing solutions

155 PRAIRIE LAKE RD, SUITE A  
EAST DUNDEE, IL 60118  
847.428.7122

FILE NAME  
IXX-PRY-STD-150075  
DIRECTORY  
P:\Manufacturing\PrymeFix Product Line\11 Inserts\IXX-PRY-STD-150075\

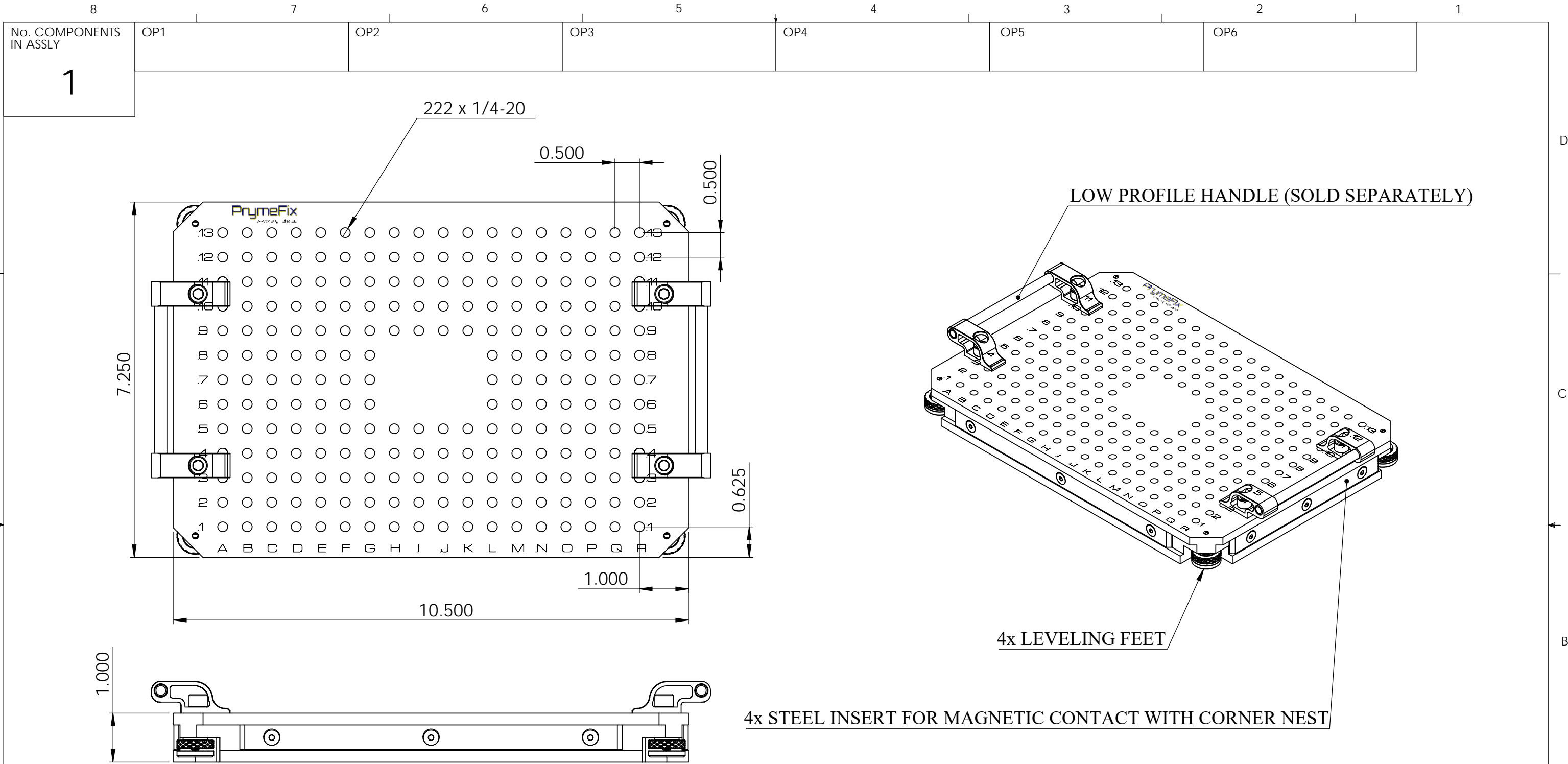
**PROPRIETARY AND CONFIDENTIAL**  
  
THE INFORMATION CONTAINED IN THIS DRAWING IS THE SOLE PROPERTY OF PRYMETECH. ANY REPRODUCTION IN PART OR AS A WHOLE WITHOUT THE WRITTEN PERMISSION OF PRYMETECH IS PROHIBITED.

1		UNLESS OTHERWISE SPECIFIED	DRAWN BY: <b>RD</b>	DATE 10/28/2015
2			TITLE: 150075 INSERT: I12	
3		HEAT TREAT <b>N/A</b>	No Pcs to Complete Order:	
4			MATERIAL <b>Acrylic</b>	
5			FINISH <b>CLEAR</b>	
6			SIZE <b>B</b>	DWG. NO. IXX-PRY-STD-150075
7			REV <b>0</b>	
REVISION HISTORY		INCH UNITS	SCALE: 1:2	WEIGHT: 2.25
				SHEET 5 OF 9

D  
C  
B  
A

D  
C  
B  
A

8      7      6      5      4      3      2      1



**PrymeFix**  
fixturing solutions

155 PRAIRIE LAKE RD, SUITE A  
EAST DUNDEE, IL 60118  
847.428.7122

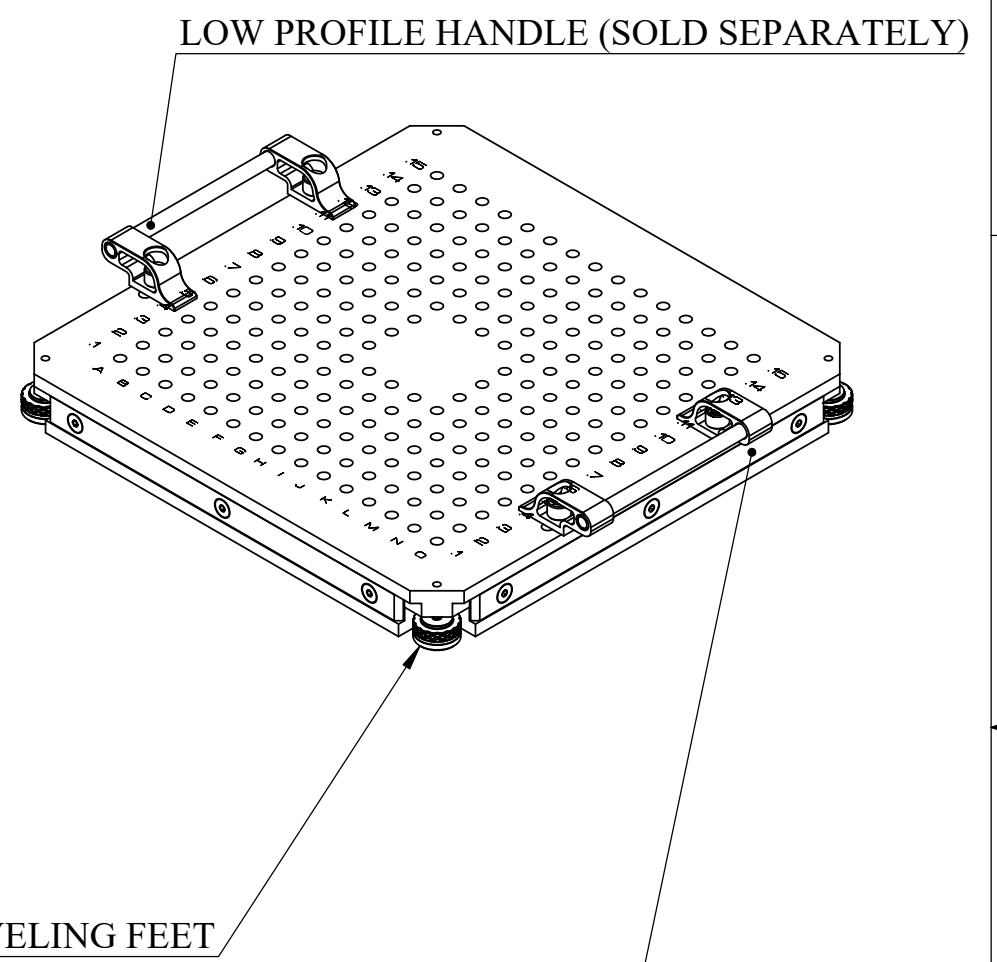
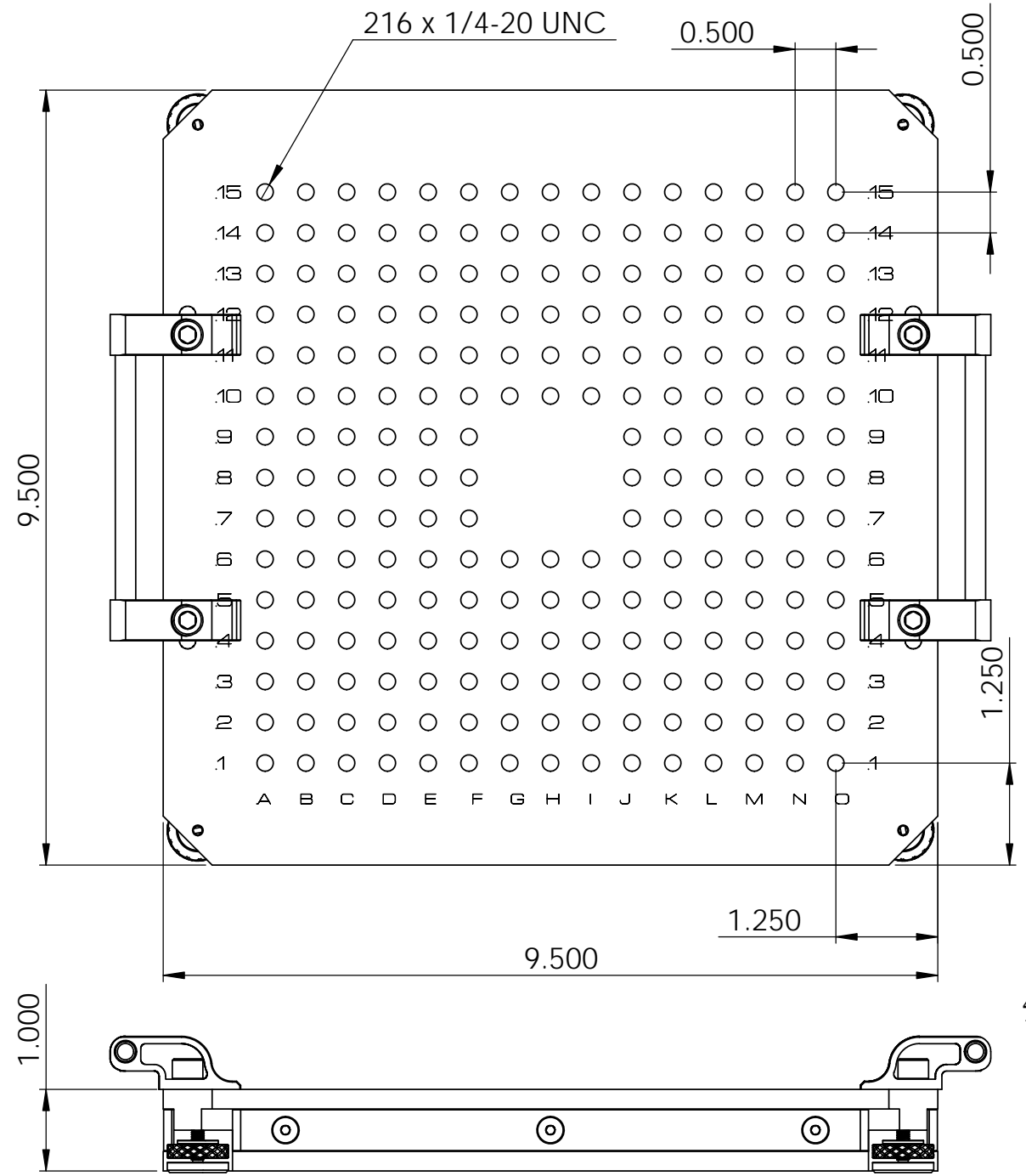
FILE NAME  
I12-PRY-STD-200150  
DIRECTORY  
P:\Manufacturing\PrymeFix Product Line\I11 Inserts\IXX-PRY-STD-200150\

**PROPRIETARY AND CONFIDENTIAL**  
  
THE INFORMATION CONTAINED IN THIS DRAWING IS THE SOLE PROPERTY OF PRYMEFIX. ANY REPRODUCTION IN PART OR AS A WHOLE WITHOUT THE WRITTEN PERMISSION OF PRYMEFIX IS PROHIBITED.

1		UNLESS OTHERWISE SPECIFIED	DRAWN BY: <b>RD</b>	DATE 10/8/2013	
2			TITLE: 200150 INSERT: I12		
3		HEAT TREAT <b>N/A</b>	No Pcs to Complete Order:		
4					
5					
6		MATERIAL <b>Acrylic</b>	SIZE <b>B</b>	DWG. NO. IXX-PRY-STD-200150 PRINTS	REV <b>1</b>
7		FINISH <b>Clear</b>	SCALE: 1:2	WEIGHT: 3.32	SHEET 6 OF 10
REVISION HISTORY		INCH UNITS			

8	7	6	5	4	3	2	1
No. COMPONENTS IN ASSLY	OP1	OP2	OP3	OP4	OP5	OP6	

1



4x STEEL INSERT FOR MAGNETIC CONTACT WITH CORNER NEST

**PrymeFix**  
fixturing solutions

155 PRAIRIE LAKE RD, SUITE A  
EAST DUNDEE, IL 60118  
847.428.7122

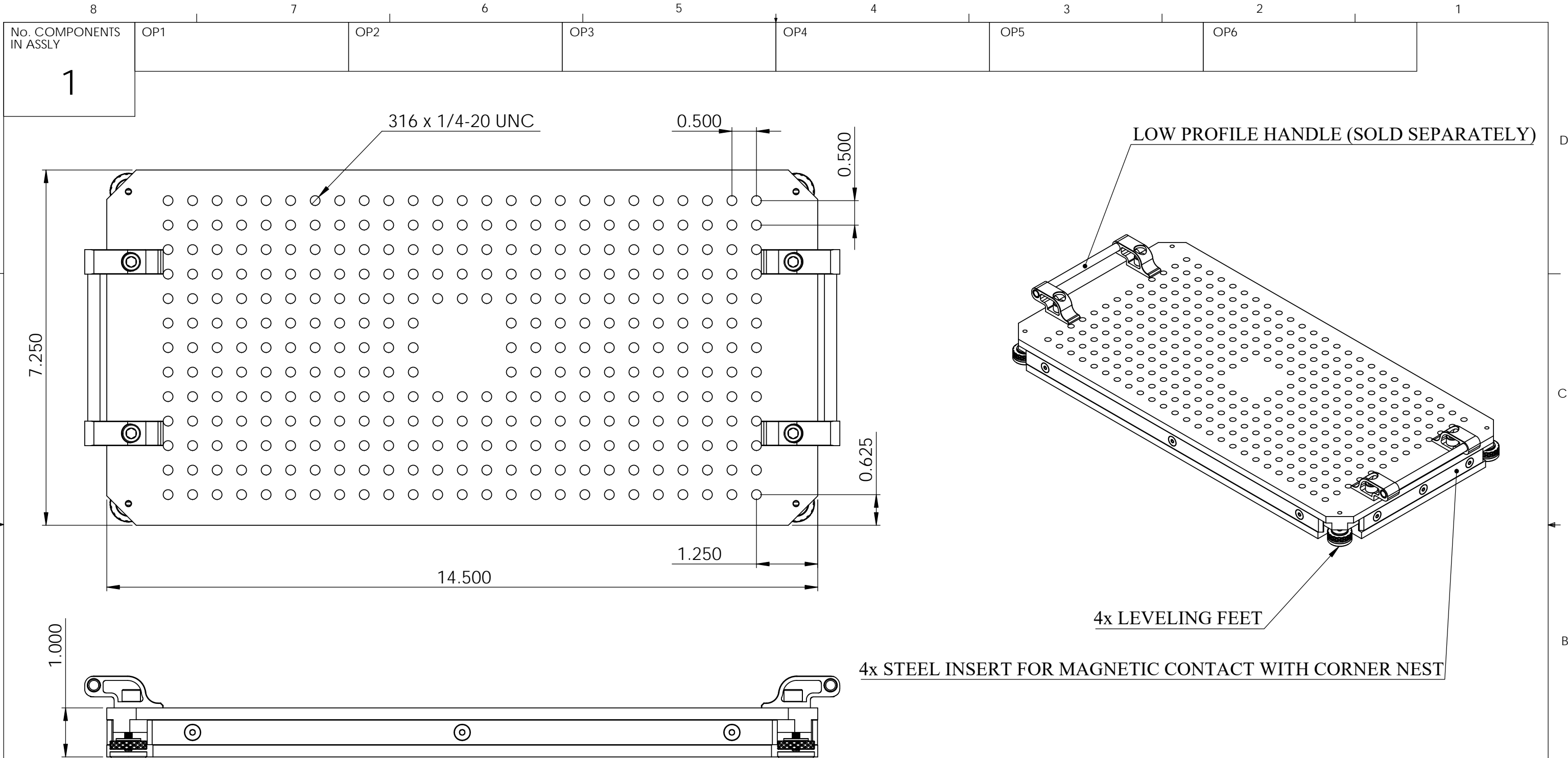
FILE NAME  
I12-PRY-STD-200200

DIRECTORY  
P:\Manufacturing\PrymeFix Product Line\I11 Inserts\IXX-OGP-SSF-200200\

**PROPRIETARY AND CONFIDENTIAL**

THE INFORMATION CONTAINED IN THIS DRAWING IS THE SOLE PROPERTY OF PRYMEFIX. ANY REPRODUCTION IN PART OR AS A WHOLE WITHOUT THE WRITTEN PERMISSION OF PRYMEFIX IS PROHIBITED.

1		UNLESS OTHERWISE SPECIFIED	DRAWN BY: <b>RD</b>	DATE 7/27/2013
2			TITLE: 200200 INSERT: I12	
3				
4			FRACTIONAL ± .003 ANGULAR: ± 1.0 TWO PLACE DECIMAL ± .010 THREE PLACE DECIMAL ± .003 FOUR PLACE DECIMAL ± .0005 (REAM)	
5			HEAT TREAT <b>N/A</b>	No Pcs to Complete Order:
6			MATERIAL <b>Acrylic</b>	
7			FINISH <b>CLEAR</b>	
REVISION HISTORY			INCH UNITS	SCALE: 1:5
			WEIGHT: 4.03	SHEET 8 OF 12
		SIZE <b>B</b>	DWG. NO. IXX-PRY-STD-200200	REV <b>1</b>



**PrymeFix**

fixturing solutions

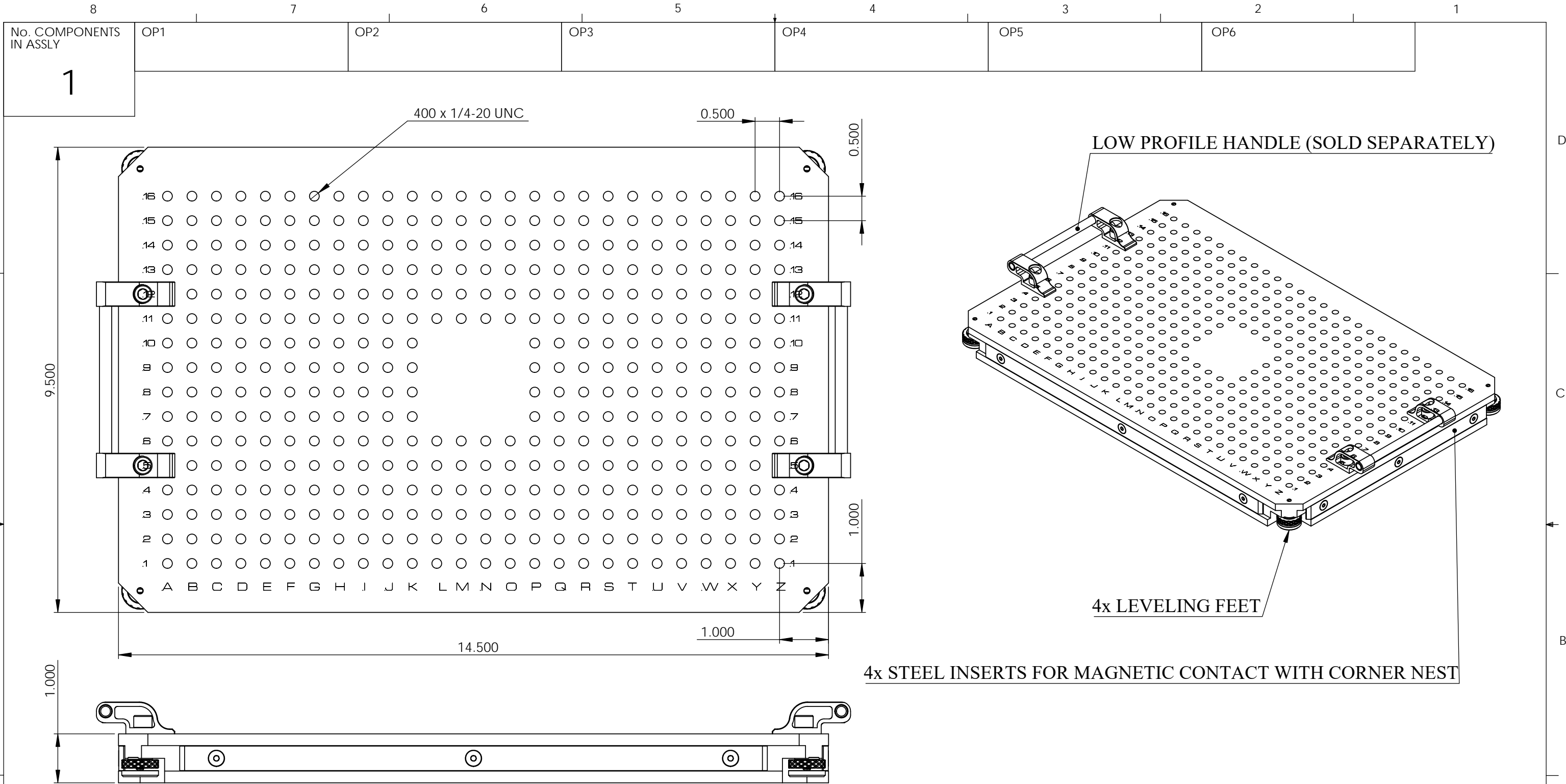
155 PRAIRIE LAKE RD, SUITE A  
EAST DUNDEE, IL 60118  
847.428.7122

FILE NAME  
Ixx-PRY-STD-300150  
DIRECTORY  
P:\Manufacturing\PrymeFix Product Line\I11 Inserts\IXX-PRY-STD-300150\

PROPRIETARY AND CONFIDENTIAL

THE INFORMATION CONTAINED IN THIS DRAWING IS THE SOLE PROPERTY OF PRYMEFIX. ANY REPRODUCTION IN PART OR AS A WHOLE WITHOUT THE WRITTEN PERMISSION OF PRYMEFIX IS PROHIBITED.

1		UNLESS OTHERWISE SPECIFIED  FRACTIONAL $\pm .003$ ANGULAR: $\pm 1.0$ TWO PLACE DECIMAL $\pm .010$ THREE PLACE DECIMAL $\pm .003$ FOUR PLACE DECIMAL $\pm .0005$ (REAM)	DRAWN BY: <b>RD</b>	DATE 10/2/2015	
2			TITLE: 300150 INSERT: I12		
3					
4			HEAT TREAT <b>N/A</b>	No Pcs to Complete Order:	
5			MATERIAL <b>Acrylic</b>		
6			FINISH <b>Clear</b>		
7			INCH UNITS	SIZE <b>B</b>	DWG. NO. IXX-PRY-STD-300150 Technical Drawings
REVISION HISTORY			SCALE: 1:5	WEIGHT:	SHEET 2 OF 6



**PrymeFix**  
fixturing solutions

155 PRAIRIE LAKE RD, SUITE A  
EAST DUNDEE, IL 60118  
847.428.7122

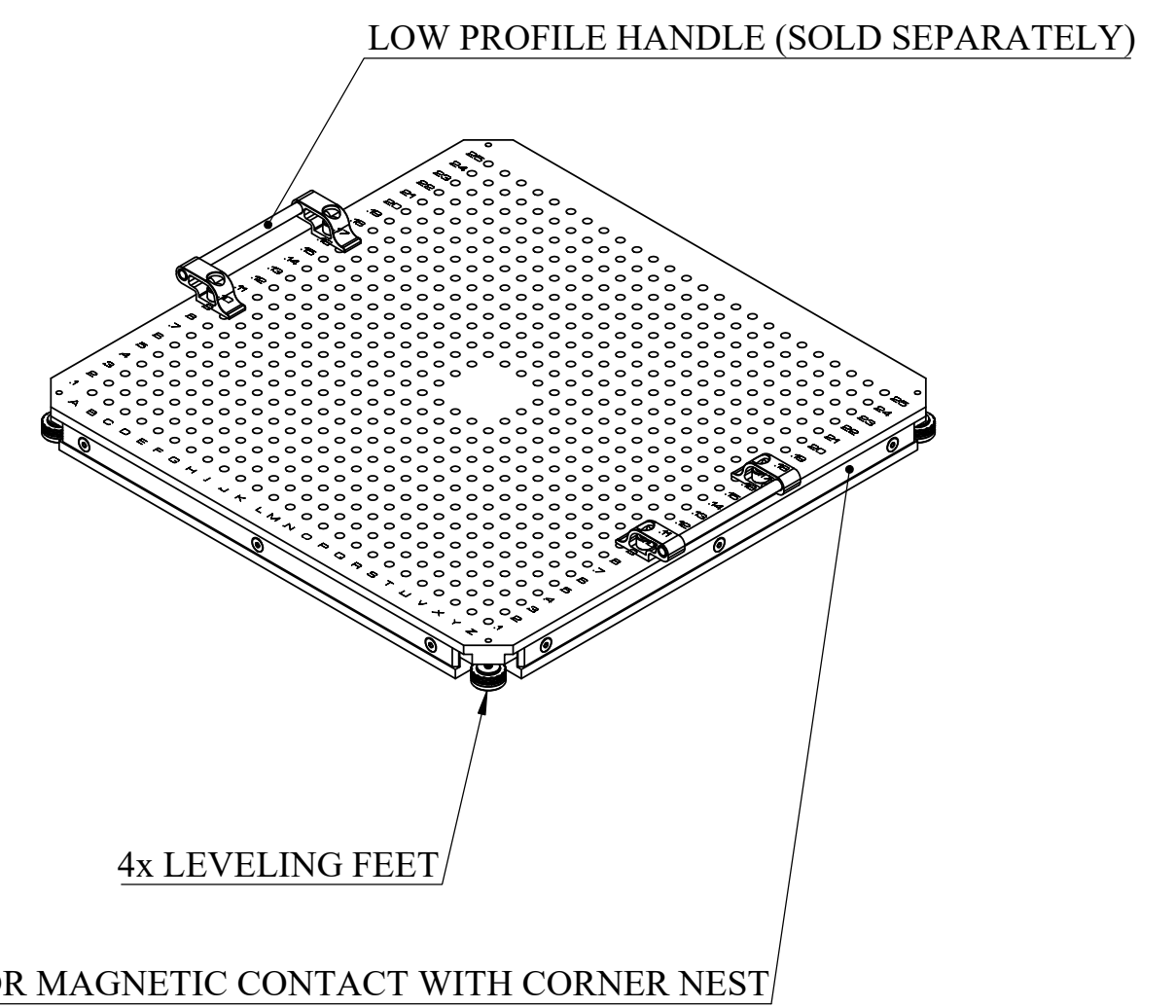
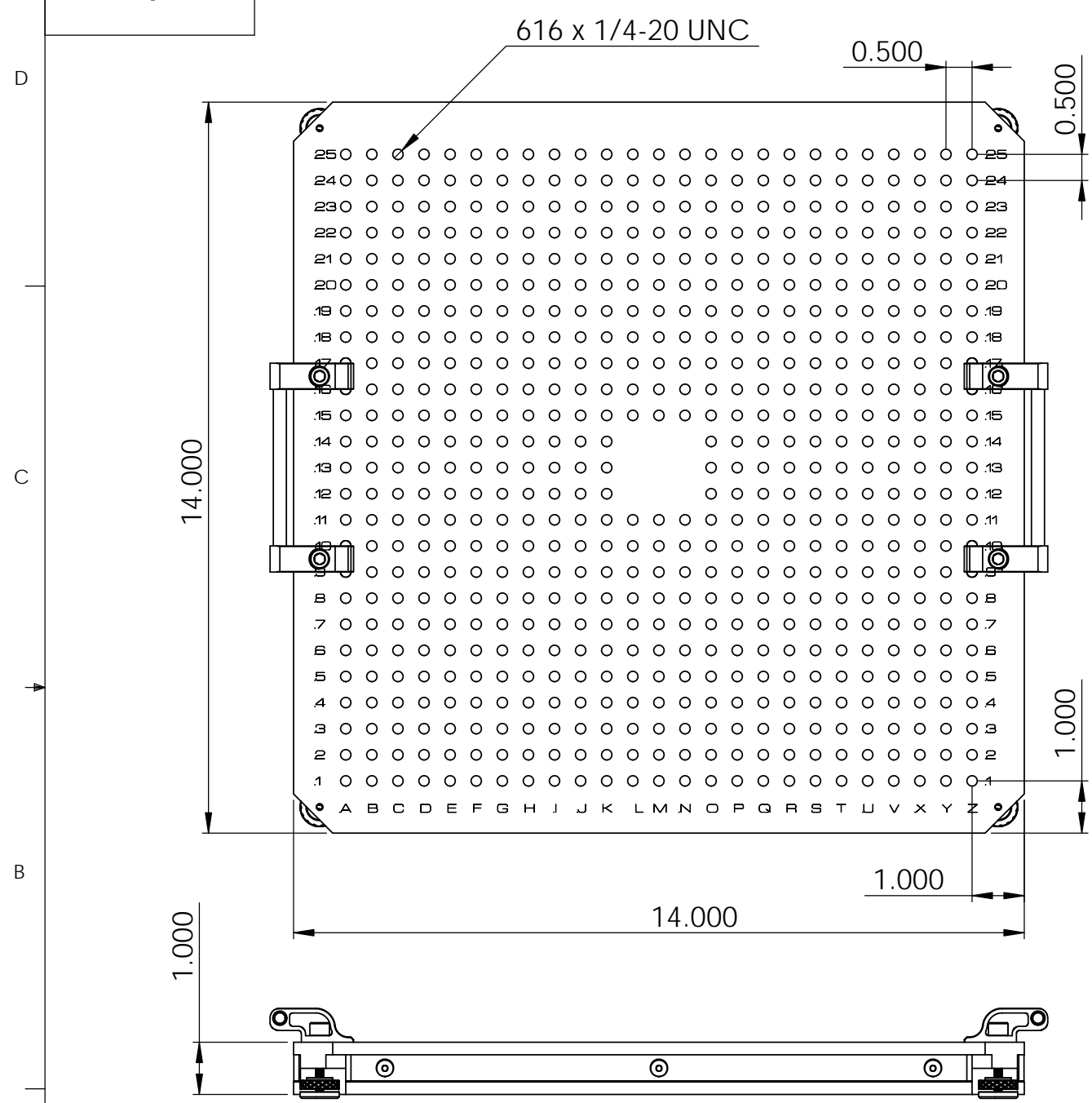
FILE NAME  
IXX-PRY-STD-300200  
DIRECTORY  
P:\Manufacturing\PrymeFix Product Line\I11 Inserts\IXX-PRY-STD-300200\

**PROPRIETARY AND CONFIDENTIAL**  
  
THE INFORMATION CONTAINED IN THIS DRAWING IS THE SOLE PROPERTY OF PRYMEFIX. ANY REPRODUCTION IN PART OR AS A WHOLE WITHOUT THE WRITTEN PERMISSION OF PRYMEFIX IS PROHIBITED.

1		UNLESS OTHERWISE SPECIFIED  FRACTIONAL $\pm .003$ ANGULAR: $\pm 1.0$ TWO PLACE DECIMAL $\pm .010$ THREE PLACE DECIMAL $\pm .003$ FOUR PLACE DECIMAL $\pm .0005$ (REAM)	DRAWN BY: <b>AK</b>	DATE 9/23/2015		
2			TITLE: 300200 INSERT: I12			
3						
4			HEAT TREAT <b>N/A</b>	No Pcs to Complete Order:		
5			MATERIAL <b>Acrylic</b>			
6			FINISH <b>Clear</b>	SIZE <b>B</b>	DWG. NO. IXX-PRY-STD-300200 PRINTS	REV <b>0</b>
7			REVISION HISTORY	SCALE: 1:5	WEIGHT: 5.88	SHEET 8 OF 12

8	7	6	5	4	3	2	1
No. COMPONENTS IN ASSLY	OP1	OP2	OP3	OP4	OP5	OP6	

1



**PrymeFix**  
fixturing solutions

155 PRAIRIE LAKE RD, SUITE A  
EAST DUNDEE, IL 60118  
847.428.7122

FILE NAME  
I12-PRY-STD-300300

DIRECTORY  
P:\Manufacturing\PrymeFix Product Line\I11 Inserts\IXX-OGP-SSF-300300\

**PROPRIETARY AND CONFIDENTIAL**

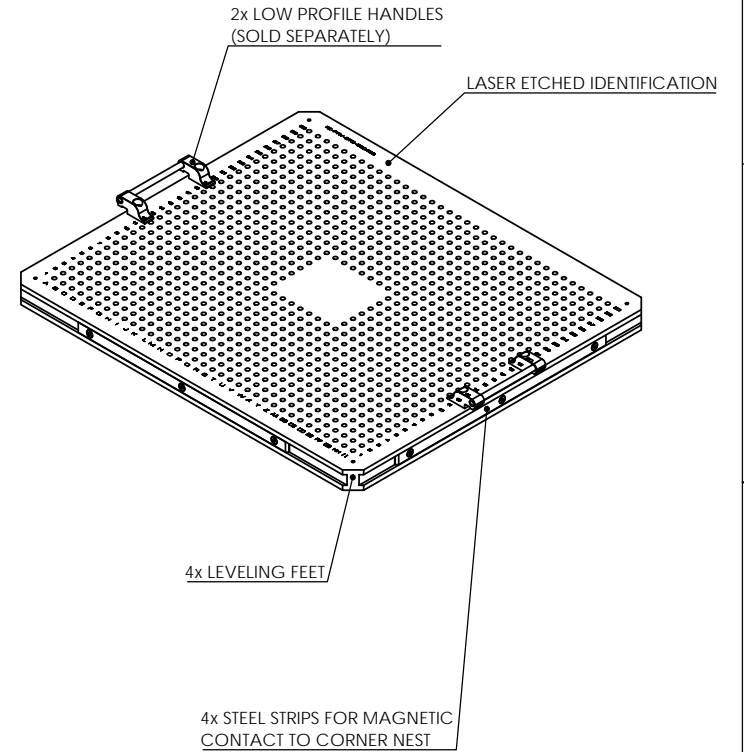
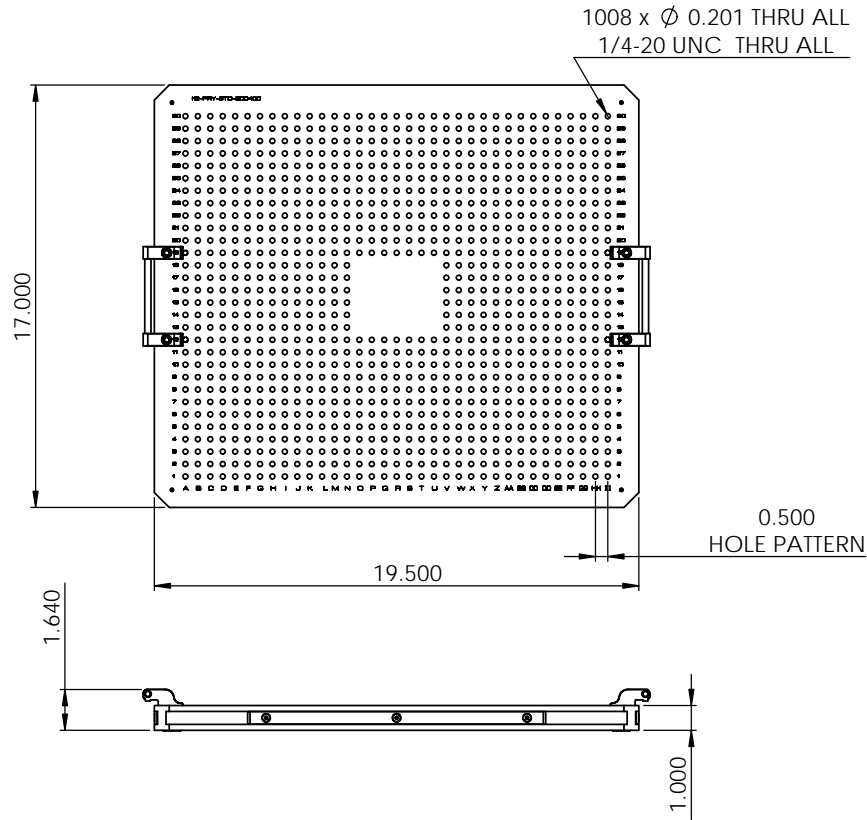
THE INFORMATION CONTAINED IN THIS DRAWING IS THE SOLE PROPERTY OF PRYMEFIX. ANY REPRODUCTION IN PART OR AS A WHOLE WITHOUT THE WRITTEN PERMISSION OF PRYMEFIX IS PROHIBITED.

1	ADDED SIDE M4 HOLES	UNLESS OTHERWISE SPECIFIED	DRAWN BY: <b>RD</b>	DATE 8/1/2013	
2			TITLE: 300300 INSERT: I12		
3			SIZE <b>B</b> DWG. NO. IXX-OGP-SSF-300300 REV <b>1</b>		
4			HEAT TREAT <b>N/A</b>	No Pcs to Complete Order:	
5			MATERIAL <b>Acrylic</b>		
6			FINISH <b>Clear</b>		
7					
REVISION HISTORY			INCH UNITS	SCALE: 1:5 WEIGHT: 8.08 SHEET 7 OF 11	

8	7	6	5	4	3	2	1
---	---	---	---	---	---	---	---

8	7	6	5	4	3	2	1
No. COMPONENTS IN ASSLY	OP1	OP2	OP3	OP4	OP5	OP6	

1



**PrymeFix**  
fixturing solutions

155 PRAIRIE LAKE RD, SUITE A  
EAST DUNDEE, IL 60118  
847.428.7122

FILE NAME  
IXX-PRY-STD-500400

DIRECTORY  
P:\Manufacturing\PrymeFix Product Line\11 Inserts\IXX-PRY-STD-500400\

3D PRINTER PROPERTIES			
Material 1:	<input type="checkbox"/> Support	Material 2:	<input type="checkbox"/> Support
Core 1:		Core 2:	

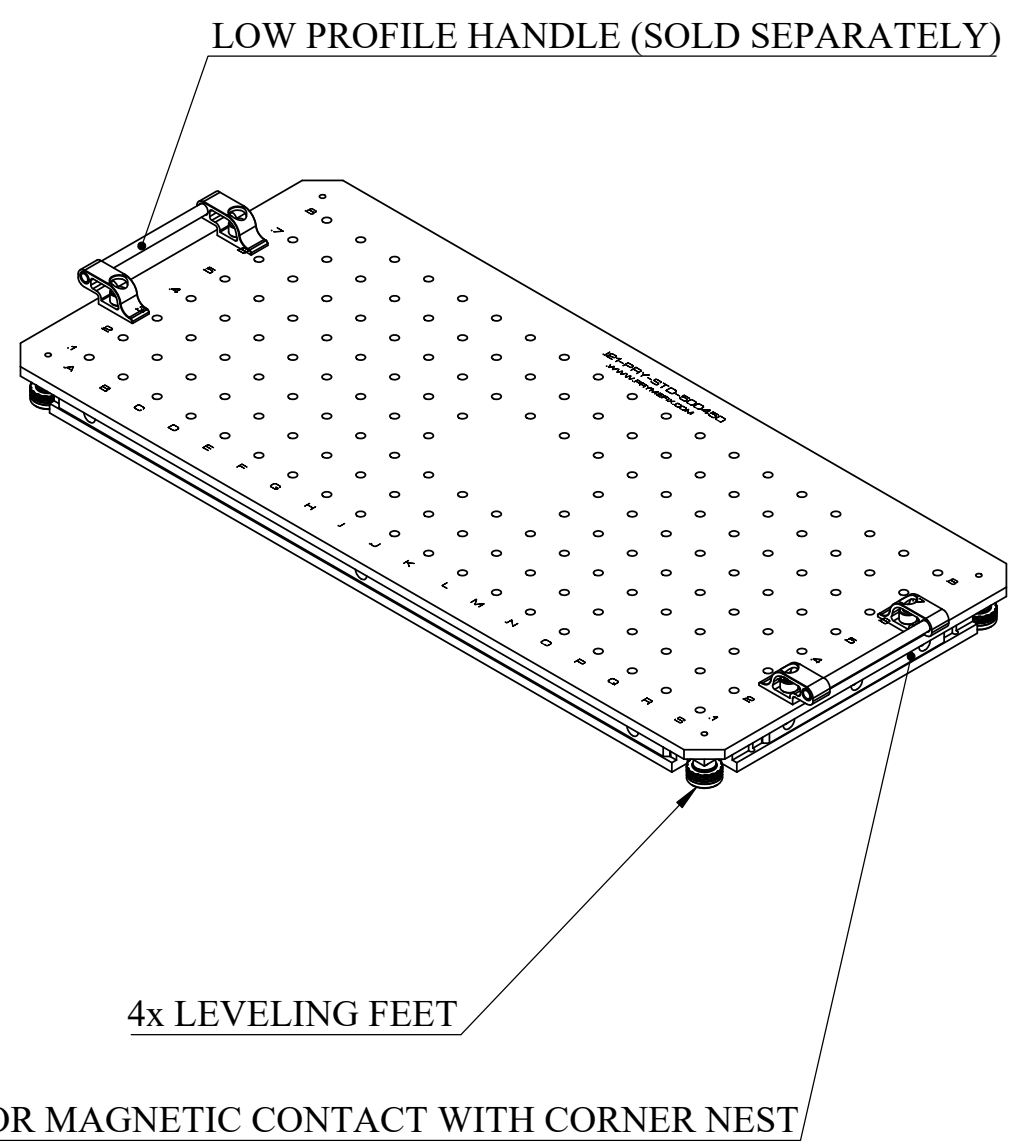
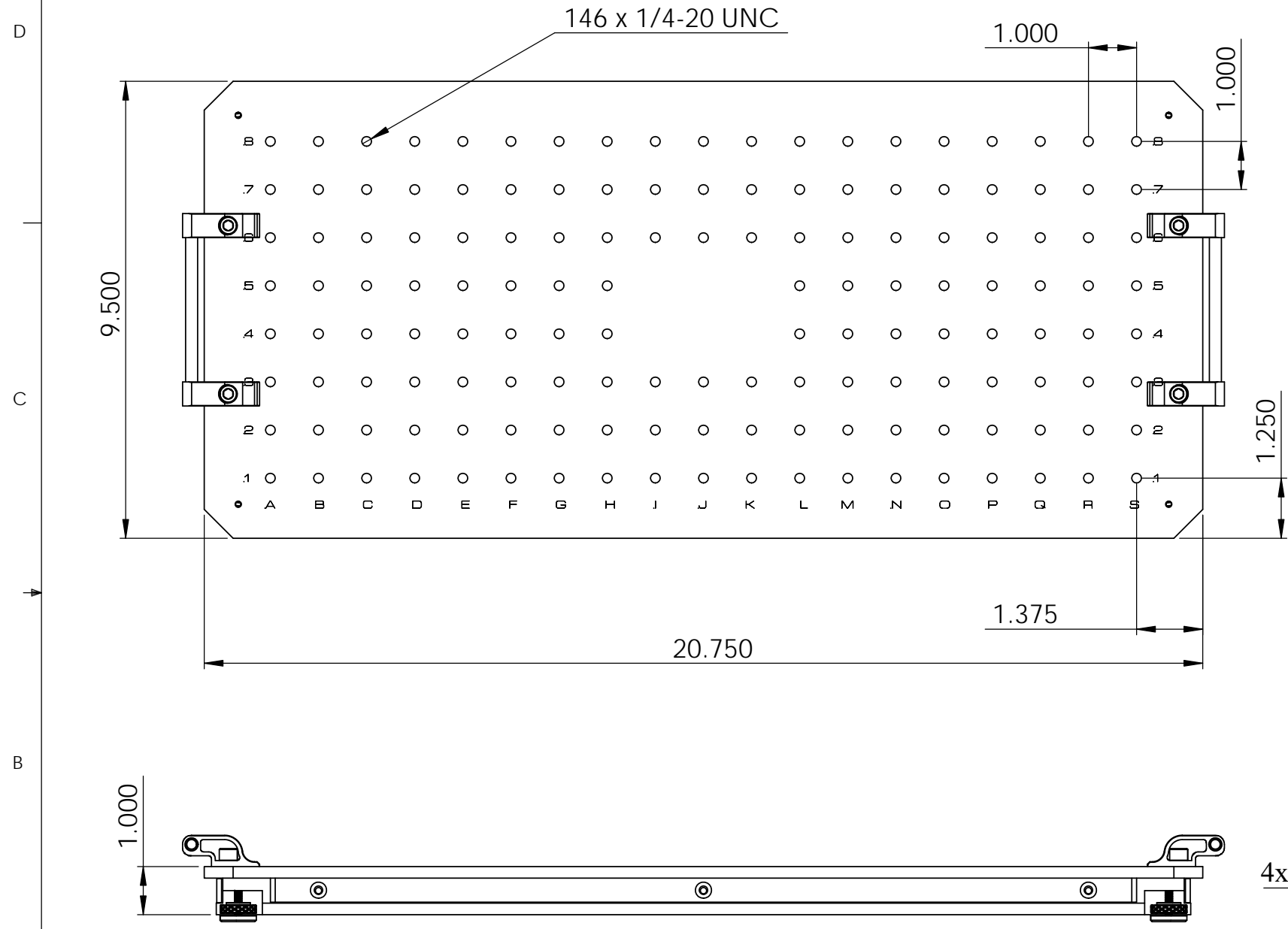
**PROPRIETARY AND CONFIDENTIAL**

THE INFORMATION CONTAINED IN THIS DRAWING IS THE SOLE PROPERTY OF PRYMETECH. ANY REPRODUCTION IN PART OR AS A WHOLE WITHOUT THE WRITTEN PERMISSION OF PRYMETECH IS PROHIBITED.

1		UNLESS OTHERWISE SPECIFIED	DRAWN BY: <b>AK</b>	DATE 9/23/2015
2		FRACTIONAL $\pm .003$ ANGULAR: $\pm 1.0$ TWO PLACE DECIMAL $\pm .010$ THREE PLACE DECIMAL $\pm .003$ FOUR PLACE DECIMAL $\pm .0005$ (REAM)	TITLE: <b>1/4-20 COMPLETE CROSS PATTERN ACRYLIC INSERT, 500400</b>	
3		HEAT TREAT <b>N/A</b>		
4		MATERIAL <b>Material &lt;not specified&gt;</b>	No Pcs to Complete Order:	
5		FINISH <b>N/A</b>	SIZE <b>B</b> DWG. NO. IXX-PRY-STD-500400 REV <b>0</b>	
6			SCALE: 1:5 WEIGHT: SHEET 4 OF 6	
7				
REVISION HISTORY		MACHINING PROPERTIES	INCH UNITS	



No. COMPONENTS IN ASSLY	OP1	OP2	OP3	OP4	OP5	OP6	
1							



4x STEEL INSERT FOR MAGNETIC CONTACT WITH CORNER NEST

**PrymeFix**  
fixturing solutions

155 PRAIRIE LAKE RD, SUITE A  
EAST DUNDEE, IL 60118  
847.428.7122

FILE NAME  
IXX-PRY-STD-500450

DIRECTORY  
P:\Manufacturing\PrymeFix Product Line\I11 Inserts\IXX-PRY-STD-500450\

**PROPRIETARY AND CONFIDENTIAL**

THE INFORMATION CONTAINED IN THIS DRAWING IS THE SOLE PROPERTY OF PRYMETECH. ANY REPRODUCTION IN PART OR AS A WHOLE WITHOUT THE WRITTEN PERMISSION OF PRYMETECH IS PROHIBITED.

1		UNLESS OTHERWISE SPECIFIED	DRAWN BY:	<b>RD</b>	DATE	8/7/2014
2			TITLE: 500450 INSERT: I12			
3			SIZE <b>B</b> DWG. NO. IXX-PRY-STD-001 PRINTS REV <b>0</b>			
4			HEAT TREAT <b>N/A</b>	No Pcs to Complete Order:		
5			MATERIAL <b>Acrylic</b>			
6			FINISH <b>CLEAR</b>			
7			INCH UNITS	SCALE: 1:5	WEIGHT: 8.59	SHEET 8 OF 12
REVISION HISTORY						