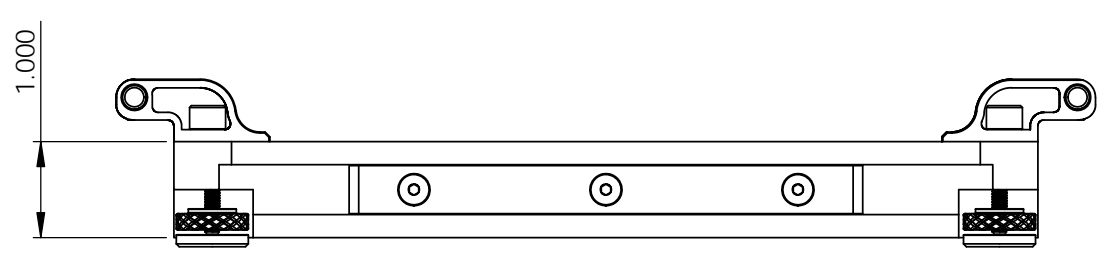
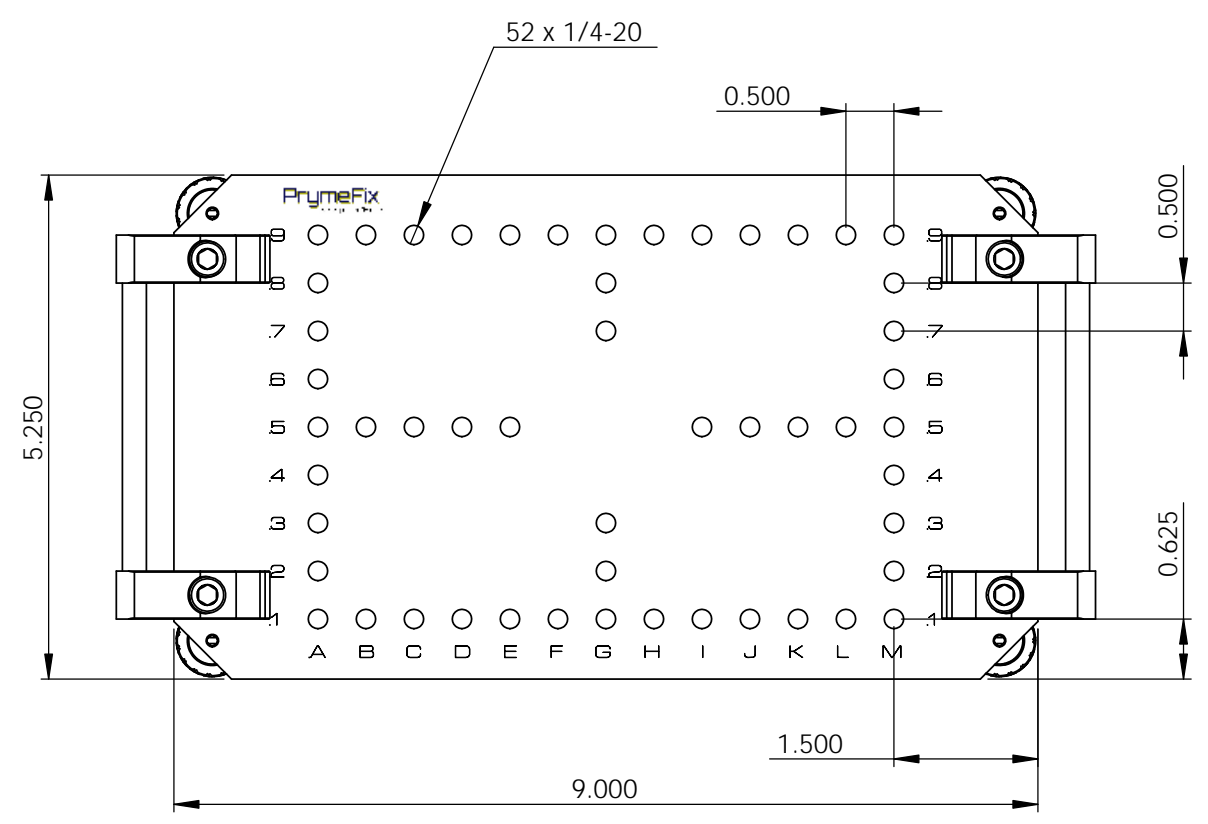
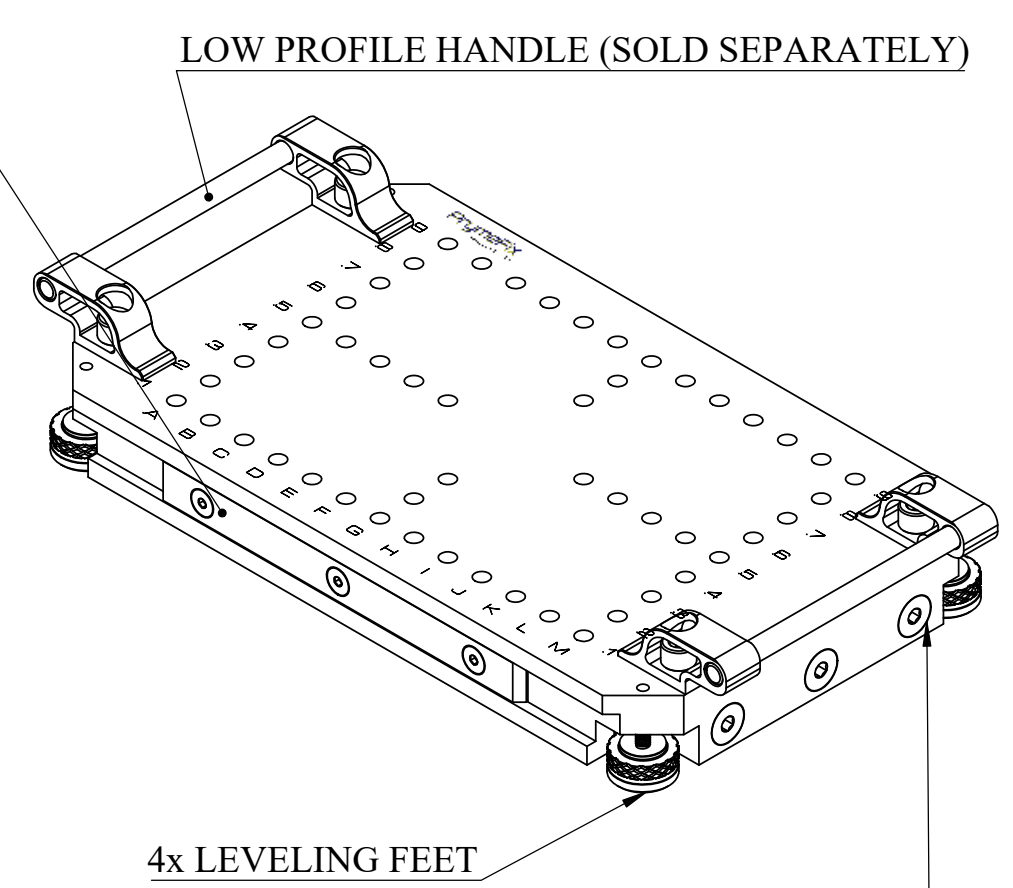


8	7	6	5	4	3	2	1
No. COMPONENTS IN ASSLY	OP1	OP2	OP3	OP4	OP5	OP6	
1							



2x STEEL INSERT FOR MAGNETIC CONTACT WITH CORNER NEST



6x STEEL SCREW FOR MAGNETIC CONTACT WITH CORNER NEST

PrymeFix
fixturing solutions

155 PRAIRIE LAKE RD, SUITE A
EAST DUNDEE, IL 60118
847.428.7122

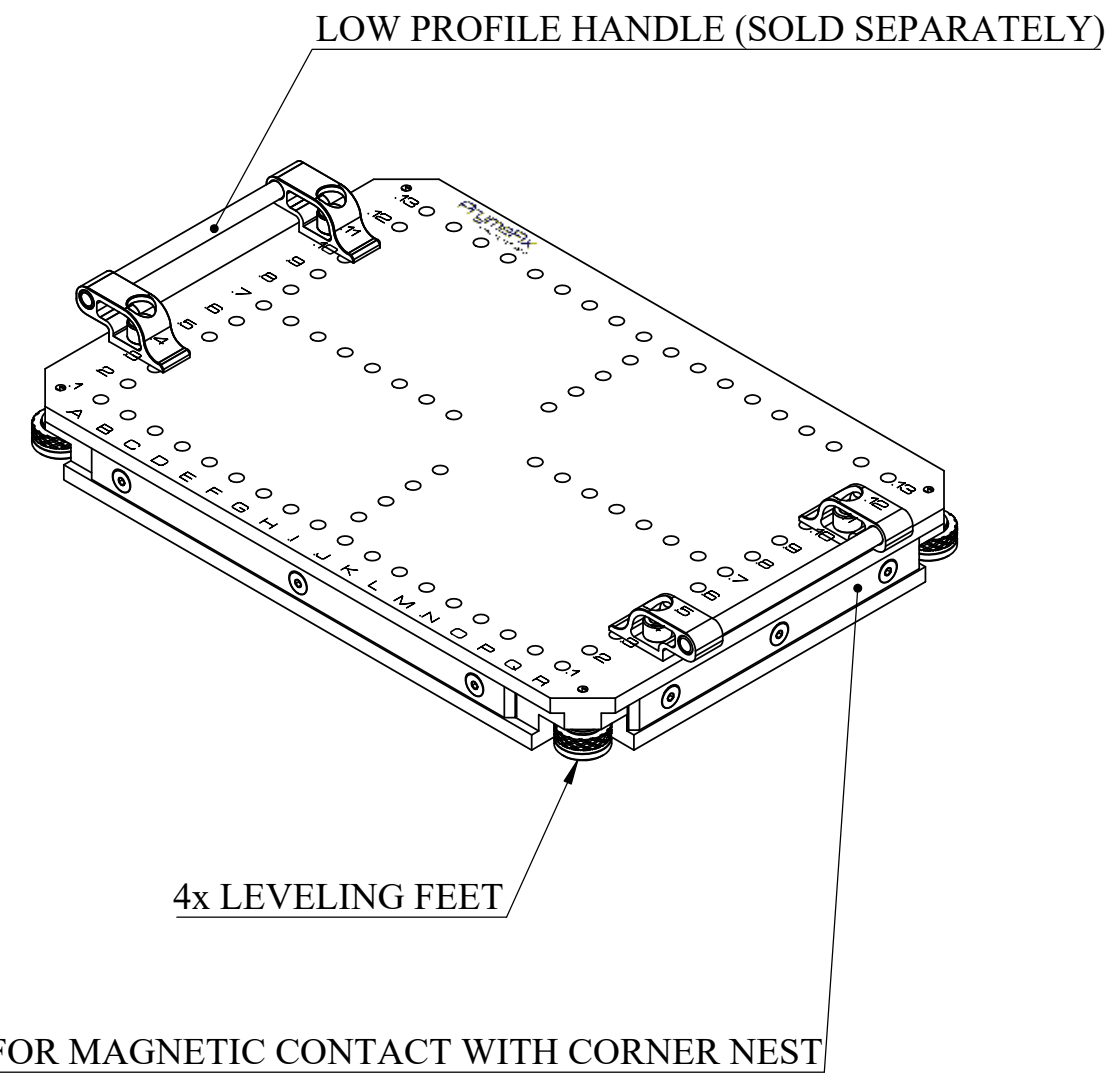
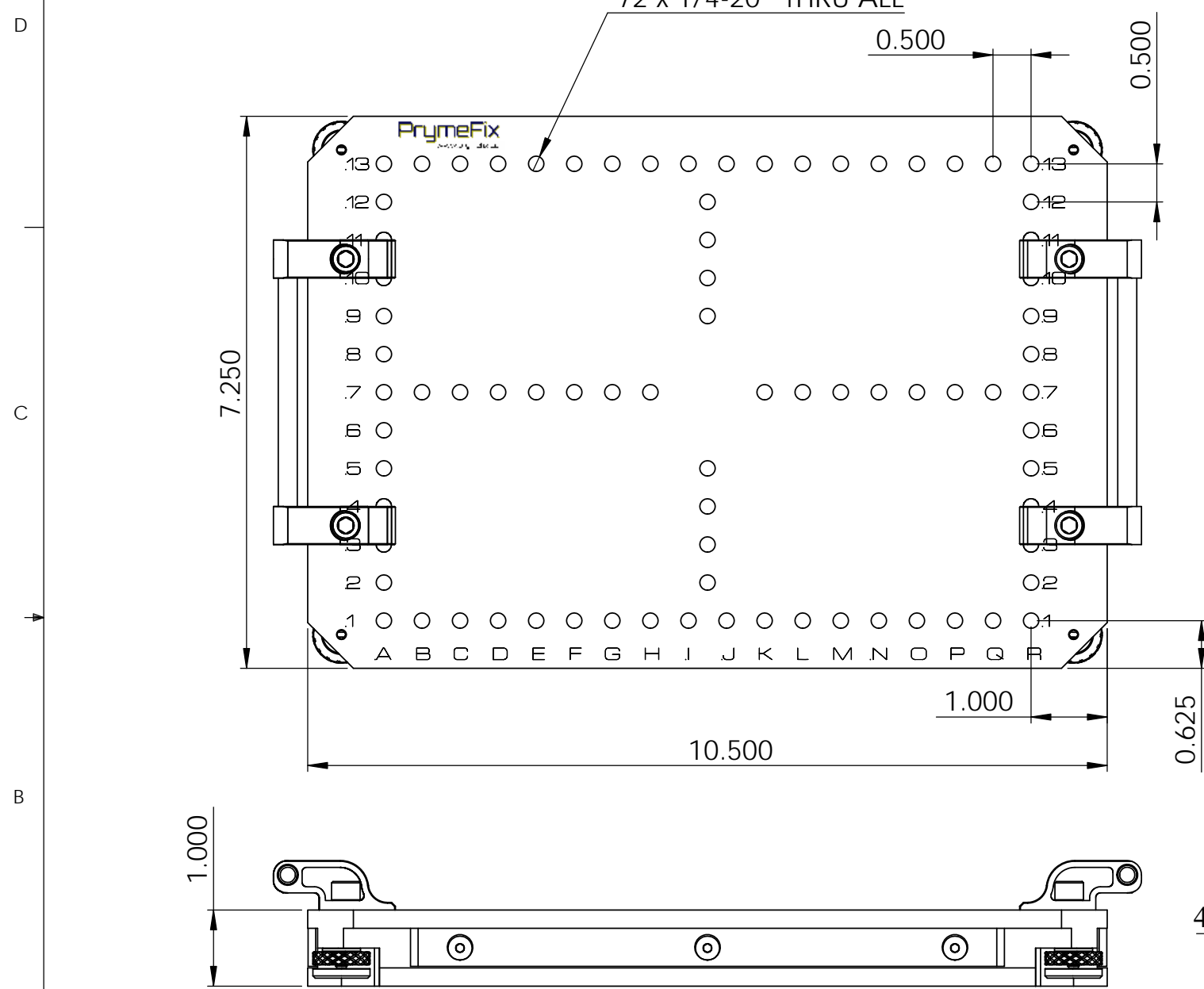
FILE NAME
IXX-PRY-STD-150075
DIRECTORY
P:\Manufacturing\PrymeFix Product Line\I11 Inserts\IXX-PRY-STD-150075\

PROPRIETARY AND CONFIDENTIAL

THE INFORMATION CONTAINED IN THIS DRAWING IS THE SOLE PROPERTY OF PRYMEFIX. ANY REPRODUCTION IN PART OR AS A WHOLE WITHOUT THE WRITTEN PERMISSION OF PRYMEFIX IS PROHIBITED.

1		UNLESS OTHERWISE SPECIFIED FRACTIONAL $\pm .003$ ANGULAR: ± 1.0 TWO PLACE DECIMAL $\pm .010$ THREE PLACE DECIMAL $\pm .003$ FOUR PLACE DECIMAL $\pm .0005$ (REAM)	DRAWN BY: RD	DATE 10/28/2015		
2			TITLE: 150075 INSERT: I11			
3						
4			HEAT TREAT N/A	No Pcs to Complete Order:		
5			MATERIAL Acrylic			
6			FINISH CLEAR	SIZE B	DWG. NO. IXX-PRY-STD-150075	REV 0
7				SCALE: 1:2	WEIGHT: 2.30	SHEET 4 OF 9
REVISION HISTORY		INCH UNITS				

No. COMPONENTS IN ASSLY	OP1	OP2	OP3	OP4	OP5	OP6
1						



4x STEEL INSERT FOR MAGNETIC CONTACT WITH CORNER NEST



155 PRAIRIE LAKE RD, SUITE A
EAST DUNDEE, IL 60118
847.428.7122

FILE NAME
I12-PRY-STD-200150

DIRECTORY
P:\Manufacturing\PrymeFix Product Line\I11 Inserts\IXX-PRY-STD-200150\

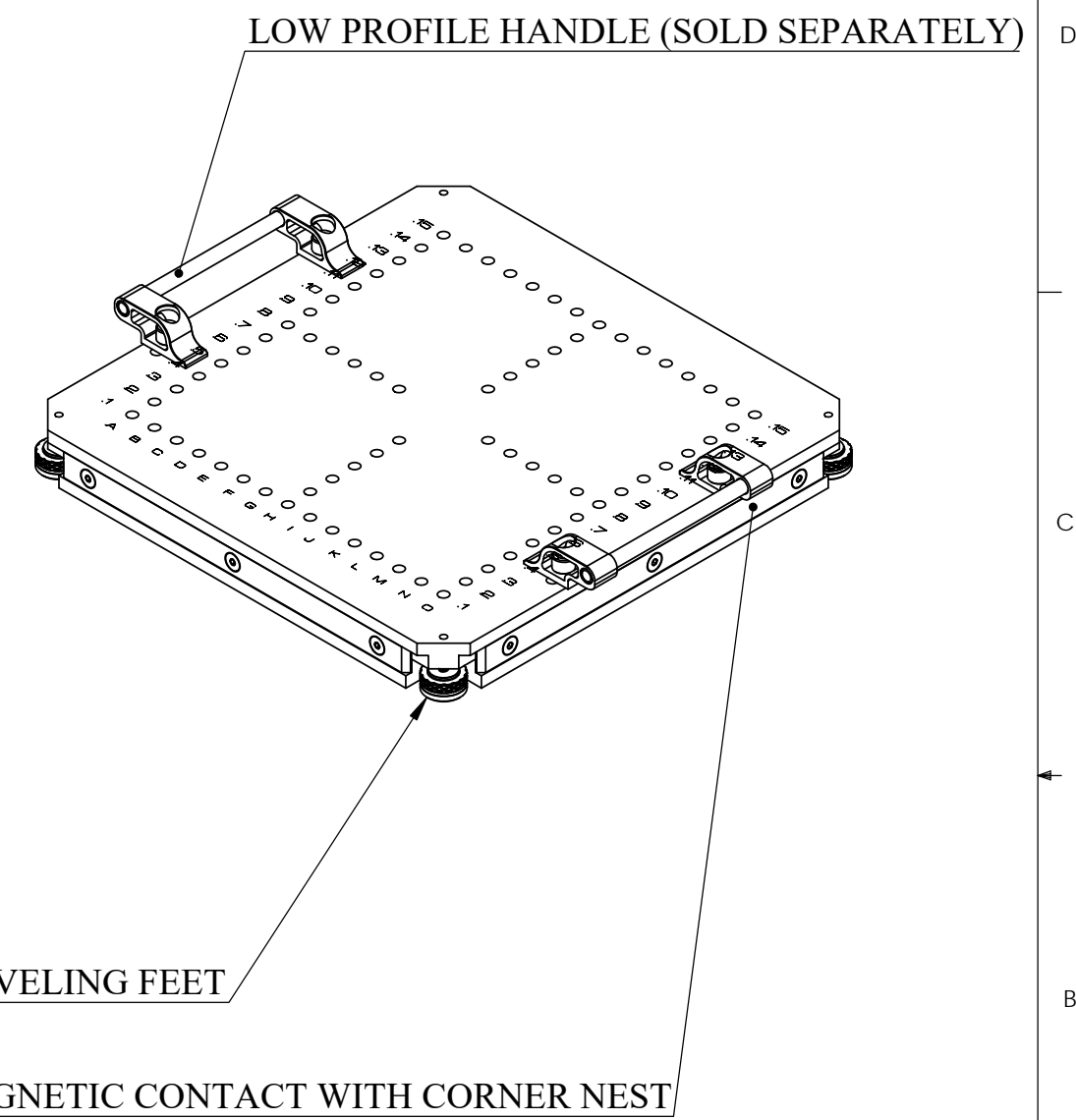
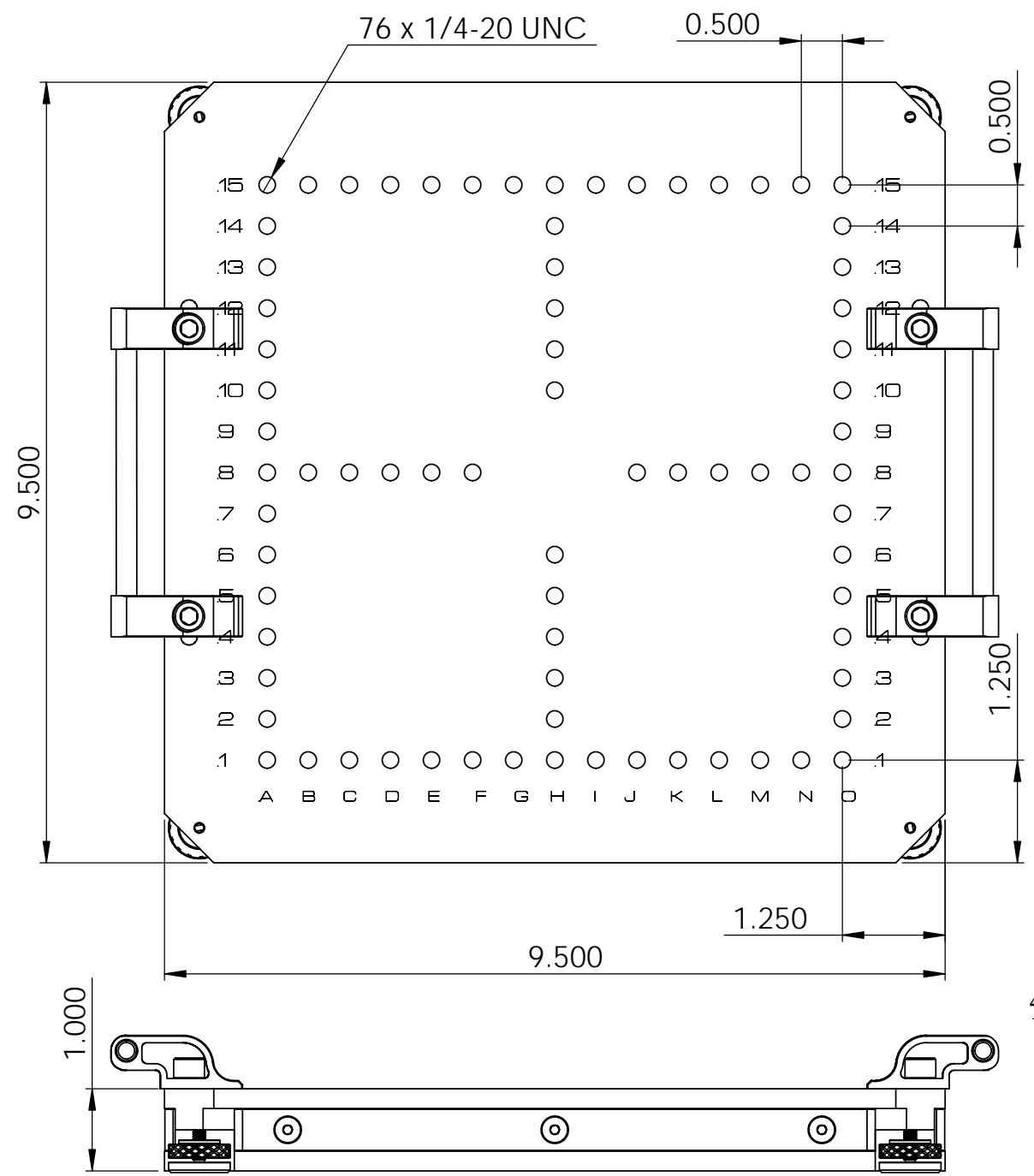
PROPRIETARY AND CONFIDENTIAL

THE INFORMATION CONTAINED IN THIS DRAWING IS THE SOLE PROPERTY OF PRYMEFIX. ANY REPRODUCTION IN PART OR AS A WHOLE WITHOUT THE WRITTEN PERMISSION OF PRYMEFIX IS PROHIBITED.

1		UNLESS OTHERWISE SPECIFIED FRACTIONAL $\pm .003$ ANGULAR: ± 1.0 TWO PLACE DECIMAL $\pm .010$ THREE PLACE DECIMAL $\pm .003$ FOUR PLACE DECIMAL $\pm .0005$ (REAM)	DRAWN BY: RD	DATE 10/8/2013	
2			TITLE: 200150 INSERT: I11		
3					
4			HEAT TREAT N/A	No Pcs to Complete Order:	
5			MATERIAL Acrylic		
6			FINISH Clear		
7			INCH UNITS	SIZE B	DWG. NO. IXX-PRY-STD-200150 PRINTS
REVISION HISTORY			SCALE: 1:2	WEIGHT: 3.74	SHEET 5 OF 10

8	7	6	5	4	3	2	1
No. COMPONENTS IN ASSLY	OP1	OP2	OP3	OP4	OP5	OP6	

1



PrymeFix
fixturing solutions

155 PRAIRIE LAKE RD, SUITE A
EAST DUNDEE, IL 60118
847.428.7122

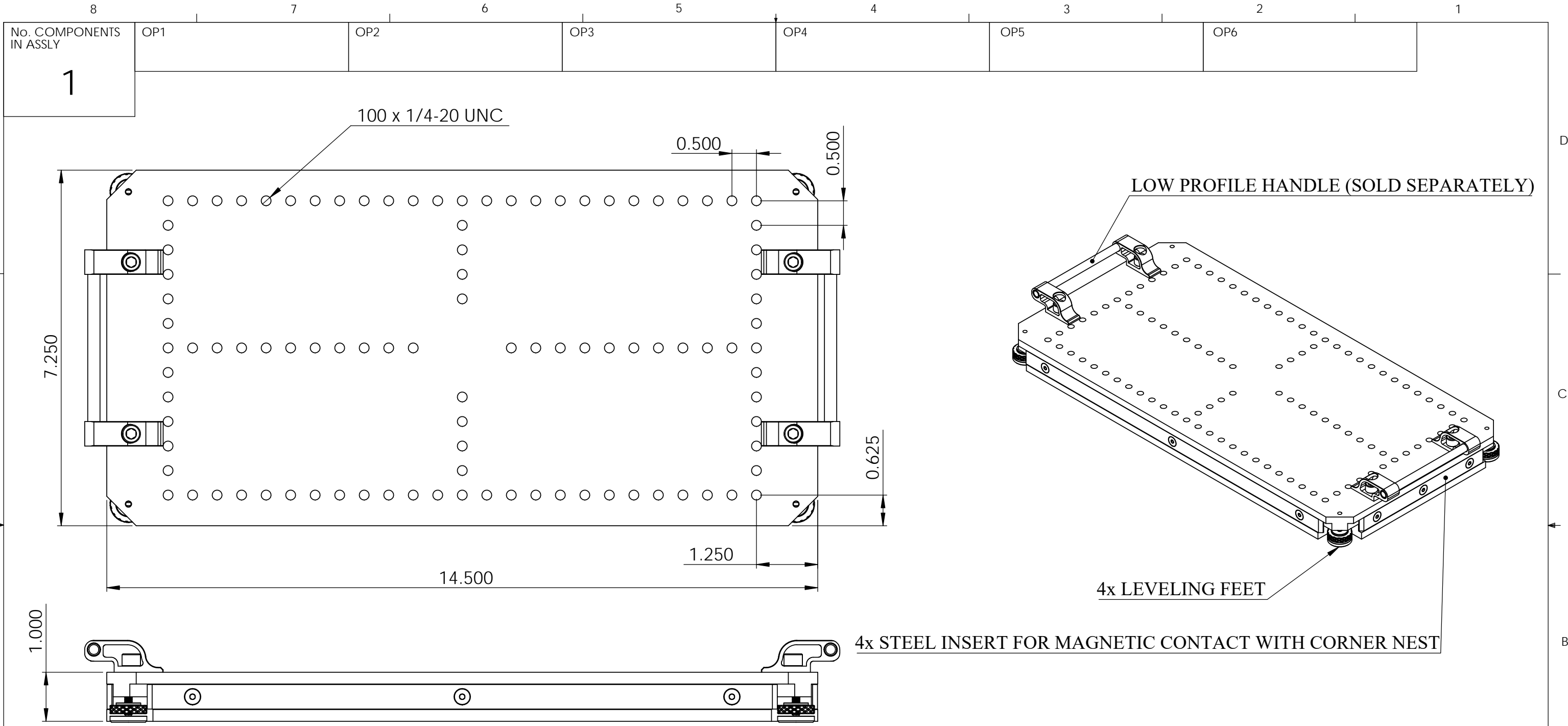
FILE NAME
I12-PRY-STD-200200

DIRECTORY
P:\Manufacturing\PrymeFix Product Line\I11 Inserts\IXX-OGP-SSF-200200\

PROPRIETARY AND CONFIDENTIAL

THE INFORMATION CONTAINED IN THIS DRAWING IS THE SOLE PROPERTY OF PRYMEFIX. ANY REPRODUCTION IN PART OR AS A WHOLE WITHOUT THE WRITTEN PERMISSION OF PRYMEFIX IS PROHIBITED.

1		UNLESS OTHERWISE SPECIFIED	DRAWN BY: RD	DATE 7/27/2013
2			TITLE: 200200 INSERT: I11	
3				
4			FRACTIONAL ± .003 ANGULAR: ± 1.0 TWO PLACE DECIMAL ± .010 THREE PLACE DECIMAL ± .003 FOUR PLACE DECIMAL ± .0005 (REAM)	
5			HEAT TREAT N/A	No Pcs to Complete Order:
6			MATERIAL Acrylic	
7			FINISH CLEAR	
REVISION HISTORY			INCH UNITS	SCALE: 1:5
			WEIGHT: 4.35	SHEET 7 OF 12
		SIZE B	DWG. NO. IXX-PRY-STD-200200	REV 1



PrymeFix
 fixturing solutions
 155 PRAIRIE LAKE RD, SUITE A
 EAST DUNDEE, IL 60118
 847.428.7122

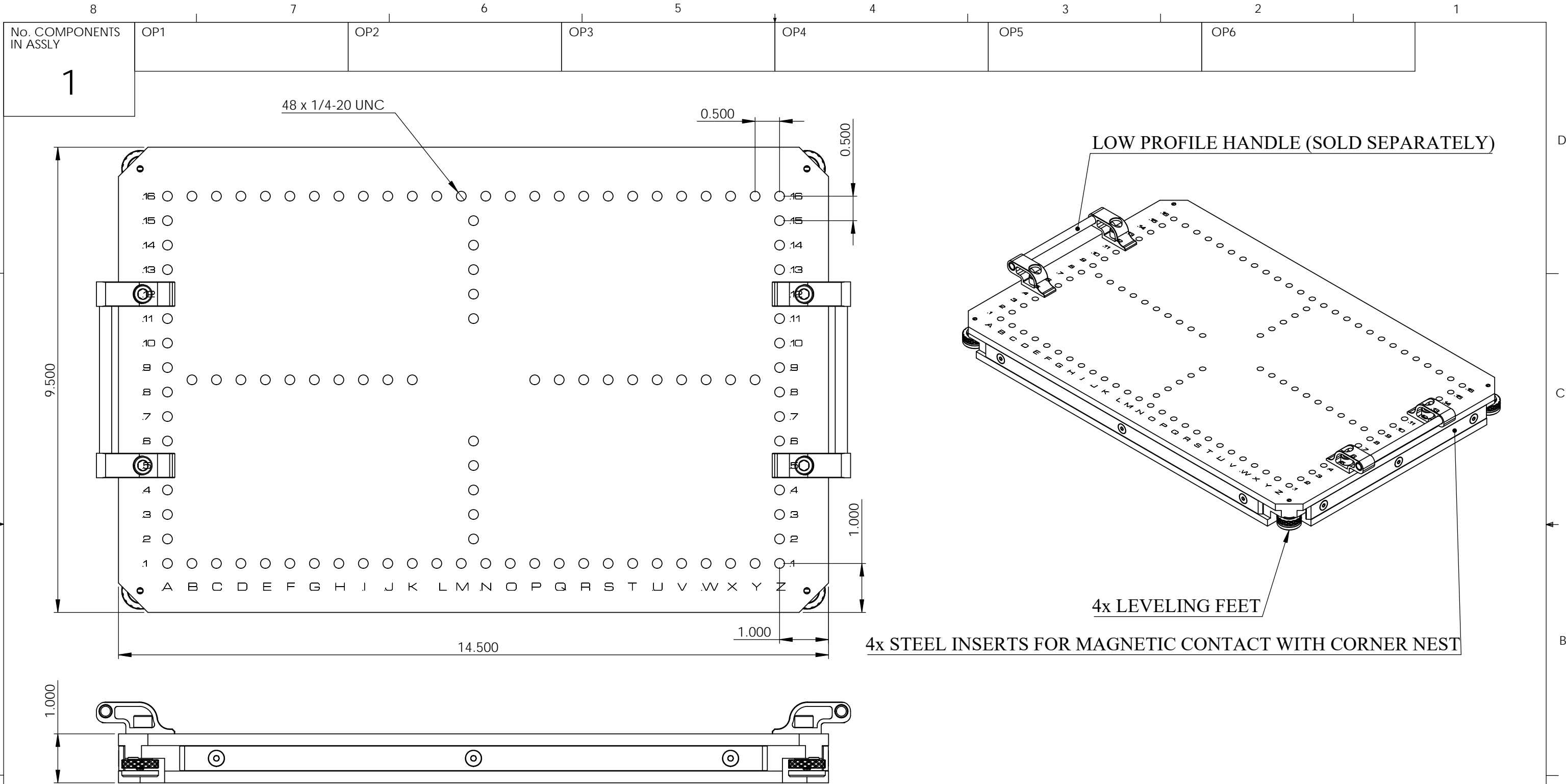
FILE NAME
 Ixx-PRY-STD-300150
 DIRECTORY
 P:\Manufacturing\PrymeFix Product Line\I11 Inserts\IXX-PRY-STD-300150\

PROPRIETARY AND CONFIDENTIAL

THE INFORMATION CONTAINED IN THIS DRAWING IS THE SOLE PROPERTY OF PRYMEFIX. ANY REPRODUCTION IN PART OR AS A WHOLE WITHOUT THE WRITTEN PERMISSION OF PRYMEFIX IS PROHIBITED.

1		UNLESS OTHERWISE SPECIFIED FRACTIONAL $\pm .003$ ANGULAR: ± 1.0 TWO PLACE DECIMAL $\pm .010$ THREE PLACE DECIMAL $\pm .003$ FOUR PLACE DECIMAL $\pm .0005$ (REAM)	DRAWN BY: RD	DATE 10/2/2015		
2			TITLE: 300150 INSERT: I11			
3						
4			HEAT TREAT N/A	No Pcs to Complete Order:		
5			MATERIAL Acrylic			
6			FINISH Clear			
7			REVISION HISTORY	INCH UNITS	SCALE: 1:5	WEIGHT:

SIZE **B** DWG. NO. IXX-PRY-STD-300150
 Technical Drawings
 REV **1**



PrymeFix
 fixturing solutions

155 PRAIRIE LAKE RD, SUITE A
 EAST DUNDEE, IL 60118
 847.428.7122

FILE NAME
 IXX-PRY-STD-300200

DIRECTORY
 P:\Manufacturing\PrymeFix Product Line\I11 Inserts\IXX-PRY-STD-300200\

PROPRIETARY AND CONFIDENTIAL

THE INFORMATION CONTAINED IN THIS DRAWING IS THE SOLE PROPERTY OF PRYMEFIX. ANY REPRODUCTION IN PART OR AS A WHOLE WITHOUT THE WRITTEN PERMISSION OF PRYMEFIX IS PROHIBITED.

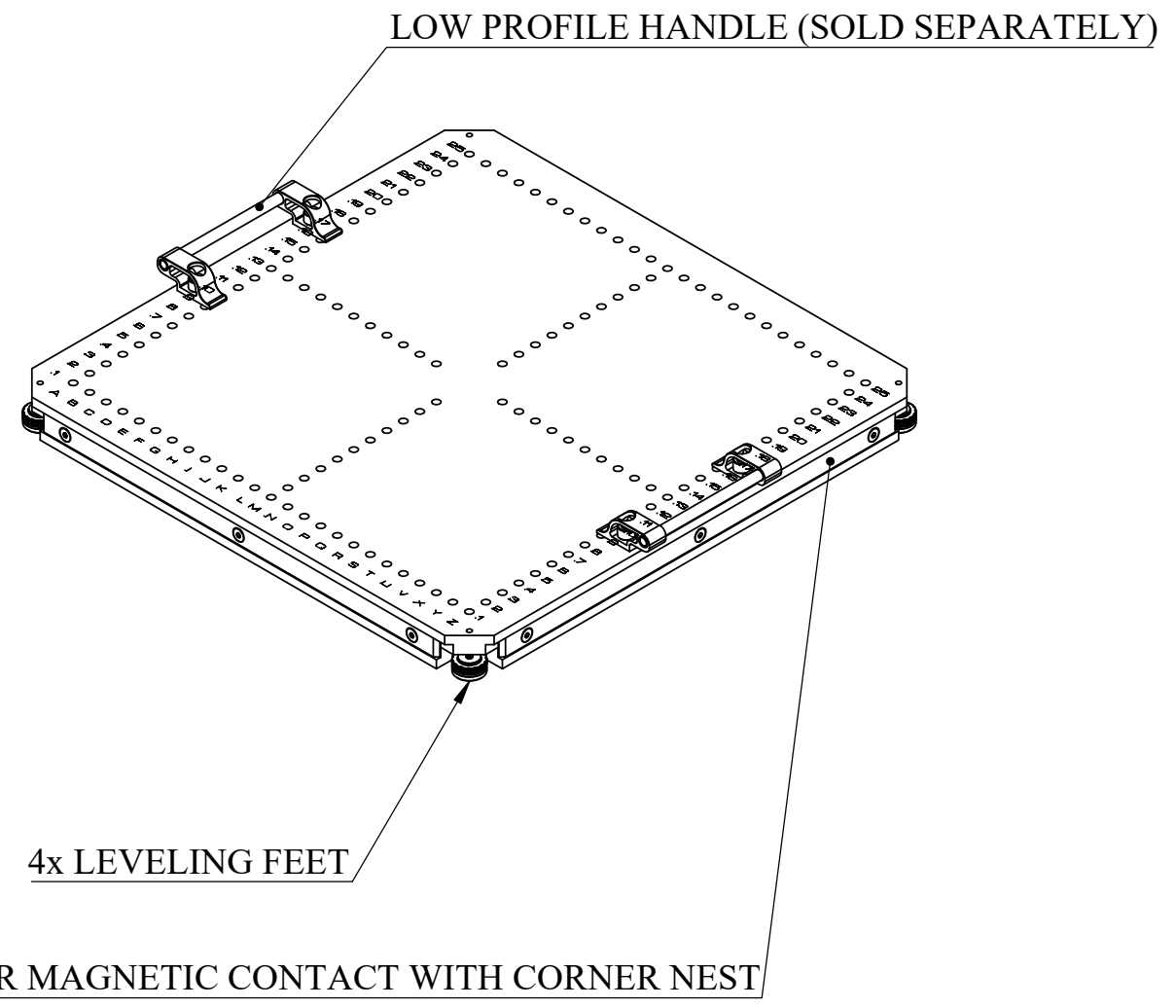
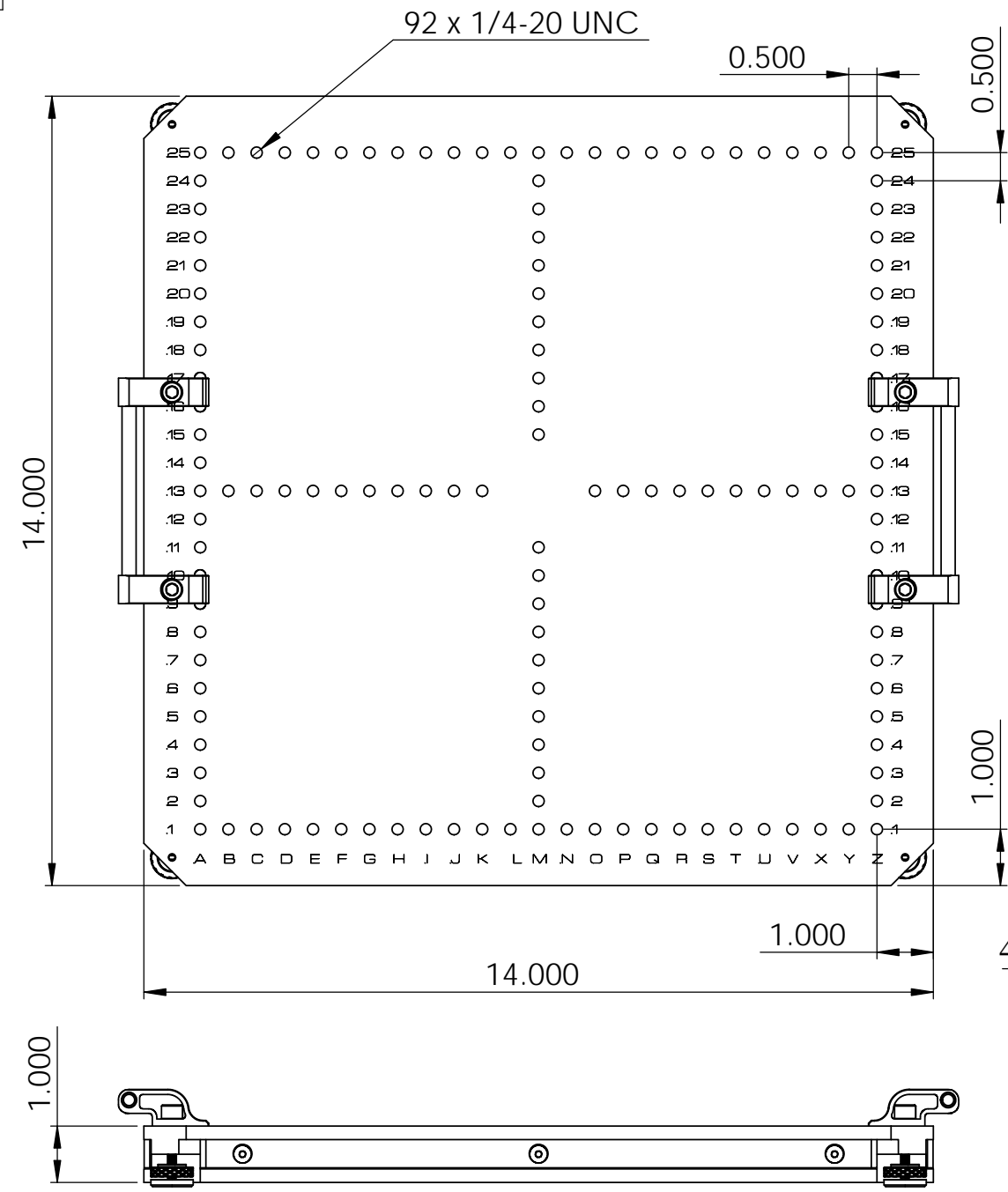
1		UNLESS OTHERWISE SPECIFIED FRACTIONAL $\pm .003$ ANGULAR: ± 1.0 TWO PLACE DECIMAL $\pm .010$ THREE PLACE DECIMAL $\pm .003$ FOUR PLACE DECIMAL $\pm .0005$ (REAM)	DRAWN BY: AK	DATE 9/23/2015	
2			TITLE: 300200 INSERT: I11		
3					
4			HEAT TREAT N/A	No Pcs to Complete Order:	
5			MATERIAL Acrylic		
6			FINISH Clear		
7			INCH UNITS	SIZE B	DWG. NO. IXX-PRY-STD-300200 PRINTS
REVISION HISTORY			SCALE: 1:5	WEIGHT: 6.47	SHEET 7 OF 12

A

A

8	7	6	5	4	3	2	1
No. COMPONENTS IN ASSLY	OP1	OP2	OP3	OP4	OP5	OP6	

1



PrymeFix
fixturing solutions

155 PRAIRIE LAKE RD, SUITE A
EAST DUNDEE, IL 60118
847.428.7122

FILE NAME
I11-PRY-STD-300300

DIRECTORY
P:\Manufacturing\PrymeFix Product Line\I11 Inserts\IXX-OGP-SSF-300300\

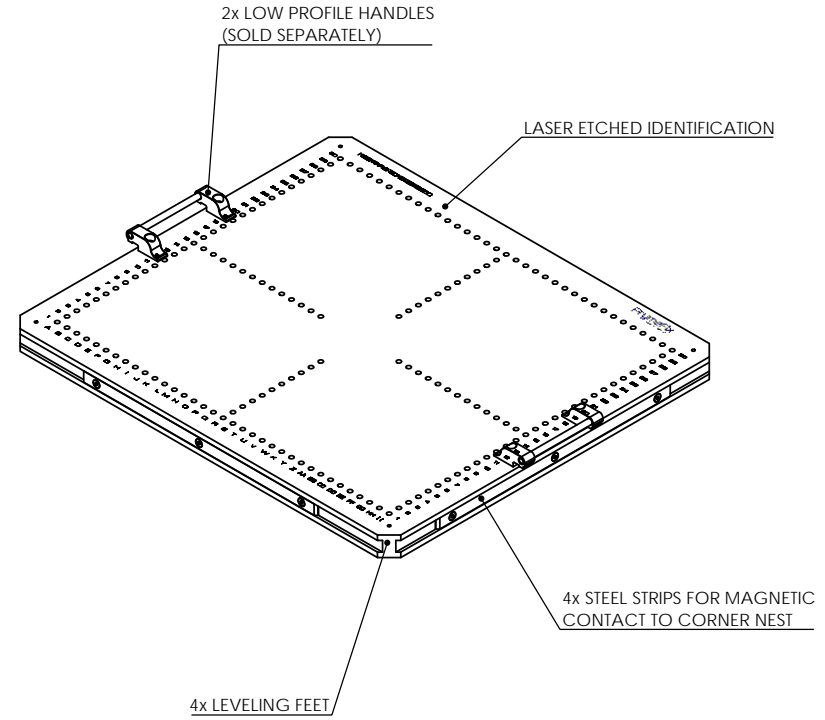
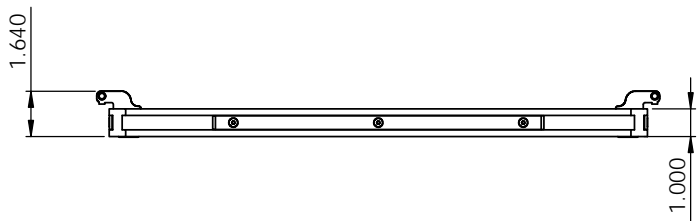
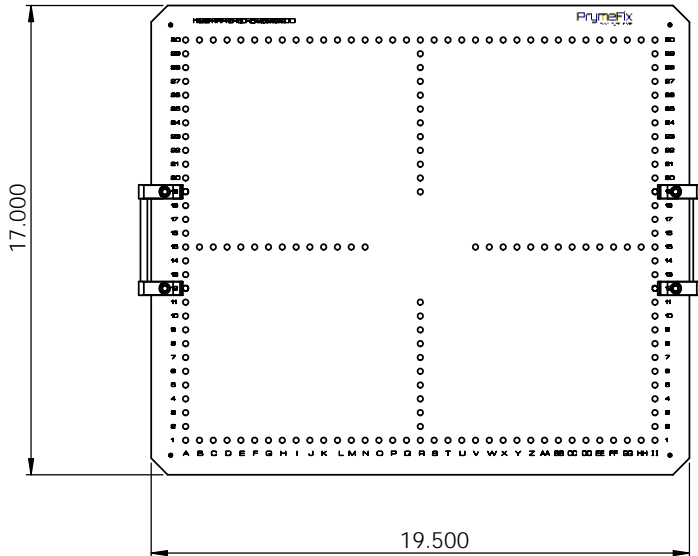
PROPRIETARY AND CONFIDENTIAL

THE INFORMATION CONTAINED IN THIS DRAWING IS THE SOLE PROPERTY OF PRYMEFIX. ANY REPRODUCTION IN PART OR AS A WHOLE WITHOUT THE WRITTEN PERMISSION OF PRYMEFIX IS PROHIBITED.

1		UNLESS OTHERWISE SPECIFIED	DRAWN BY: RD	DATE 8/1/2013
2			TITLE: 300300 INSERT: I11	
3		HEAT TREAT N/A	No Pcs to Complete Order:	
4			MATERIAL Acrylic	
5			FINISH Clear	
6		REVISION HISTORY	INCH UNITS	SCALE: 1:5
7			WEIGHT: 9.02	SHEET 6 OF 11

8	7	6	5	4	3	2	1
No. COMPONENTS IN ASSLY	OP1	OP2	OP3	OP4	OP5	OP6	

1



PrymeFix
 fixturing solutions
 155 PRAIRIE LAKE RD, SUITE A
 EAST DUNDEE, IL 60118
 847.428.7122

3D PRINTER PROPERTIES			
Material 1:	<input type="checkbox"/> Support	Material 2:	<input type="checkbox"/> Support
Core 1:		Core 2:	

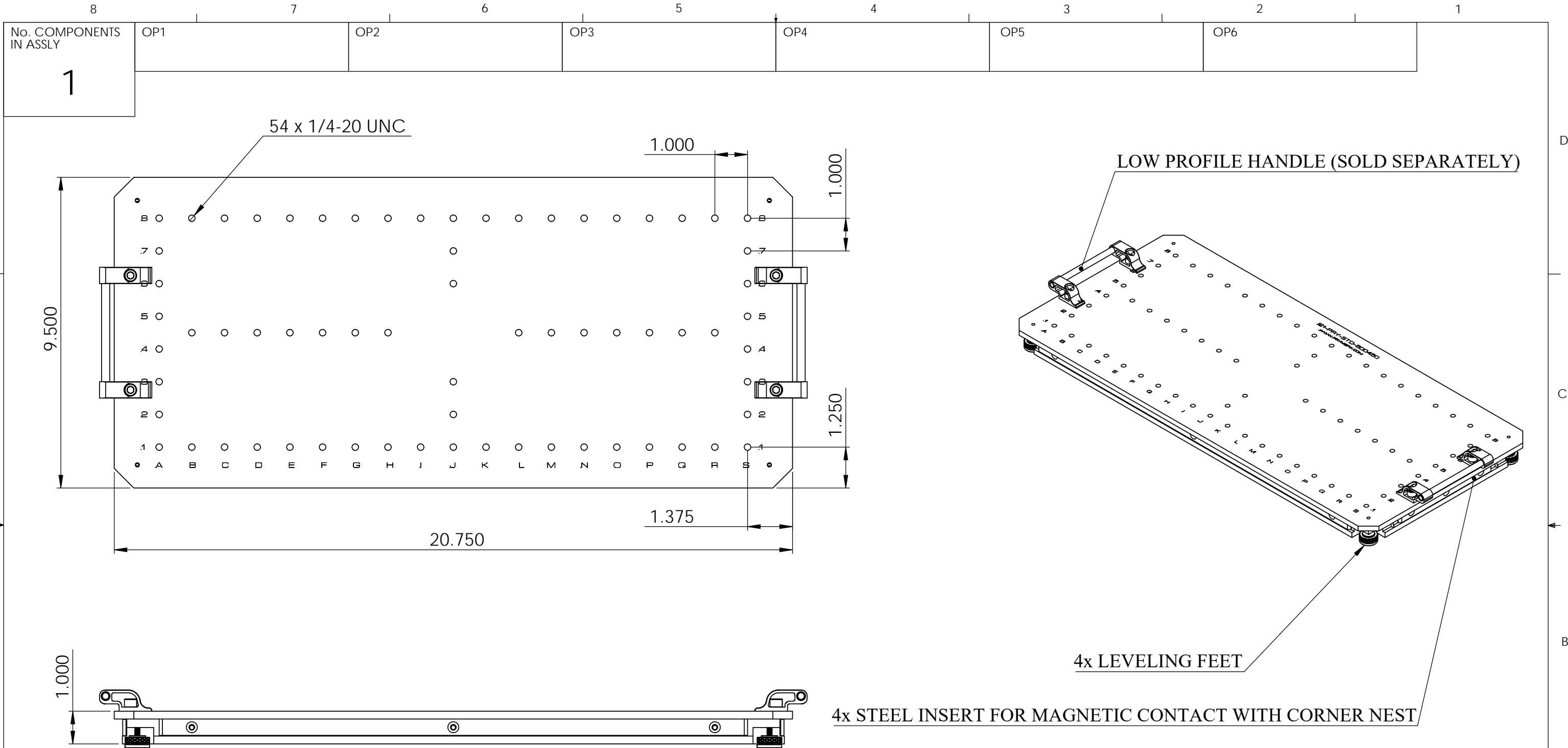
PROPRIETARY AND CONFIDENTIAL
 THE INFORMATION CONTAINED IN THIS DRAWING IS THE SOLE PROPERTY OF PRYMETECH. ANY REPRODUCTION IN PART OR AS A WHOLE WITHOUT THE WRITTEN PERMISSION OF PRYMETECH IS PROHIBITED.

1	
2	
3	
4	
5	
6	
7	

UNLESS OTHERWISE SPECIFIED	
FRACTIONAL $\pm .003$ ANGULAR: ± 1.0 TWO PLACE DECIMAL $\pm .010$ THREE PLACE DECIMAL $\pm .003$ FOUR PLACE DECIMAL $\pm .0005$ (REAM)	
HEAT TREAT	N/A
MATERIAL	Material <not specified>
FINISH	N/A
No Pcs to Complete Order:	

DRAWN BY:	RD	DATE	9/23/2015
TITLE:			
(111) 1/4-20 CROSS PATTERN INSERT, 500400			
SIZE	DWG. NO.	REV	
B	IXX-PRY-STD-500400 PRINTS	0	
SCALE: 1:10		WEIGHT:	SHEET 4 OF 8

FILE NAME	IXX-PRY-STD-500400
DIRECTORY	P:\Manufacturing\PrymeFix Product Line\11 Inserts\IXX-PRY-STD-500400\



PrymeFix
fixturing solutions

155 PRAIRIE LAKE RD, SUITE A
EAST DUNDEE, IL 60118
847.428.7122

FILE NAME
IXX-PRY-STD-500450
DIRECTORY
P:\Manufacturing\PrymeFix Product Line\I11 Inserts\IXX-PRY-STD-500450\

PROPRIETARY AND CONFIDENTIAL

THE INFORMATION CONTAINED IN THIS DRAWING IS THE SOLE PROPERTY OF PRYMEFIX. ANY REPRODUCTION IN PART OR AS A WHOLE WITHOUT THE WRITTEN PERMISSION OF PRYMEFIX IS PROHIBITED.

1		UNLESS OTHERWISE SPECIFIED FRACTIONAL: ± .003 ANGULAR: ± 1.0 TWO PLACE DECIMAL: ± .010 THREE PLACE DECIMAL: ± .003 FOUR PLACE DECIMAL: ± .0005 (REAM)	DRAWN BY: RD	DATE: 8/7/2014		
2			TITLE: 500450 INSERT: I11			
3						
4			HEAT TREAT: N/A	No Pcs to Complete Order:		
5			MATERIAL: Acrylic			
6			FINISH: CLEAR	SIZE: B	DWG. NO.: IXX-PRY-STD-001 PRINTS	REV: 0
7			REVISION HISTORY	SCALE: 1:5	WEIGHT: 8.72	SHEET 7 OF 12