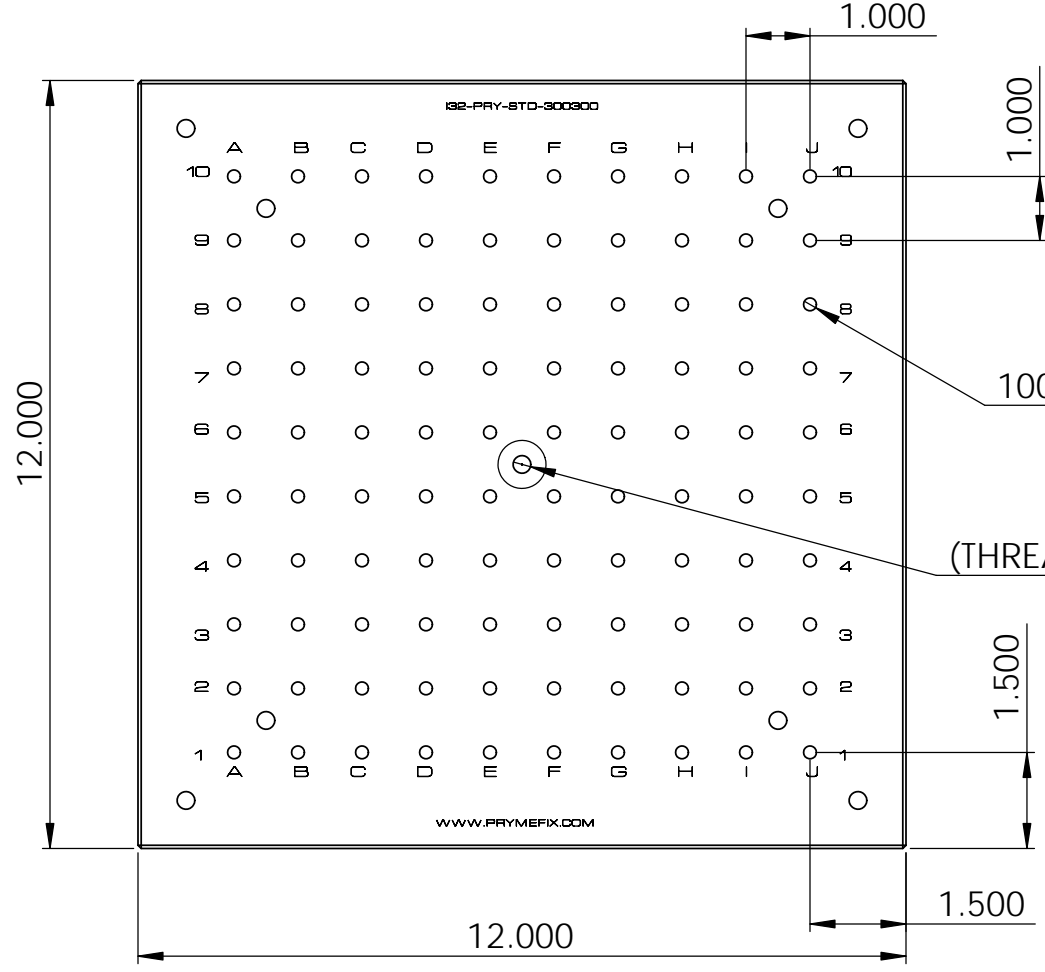
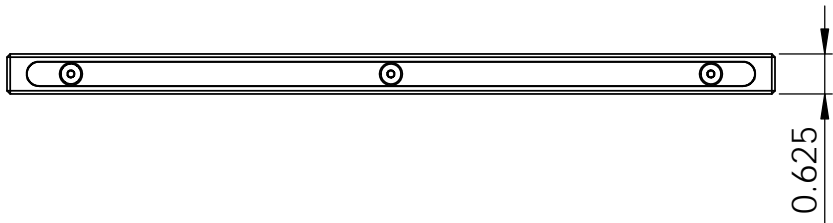


No. COMPONENTS IN ASSLY	OP1	OP2	OP3	OP4	OP5	OP6	
1							

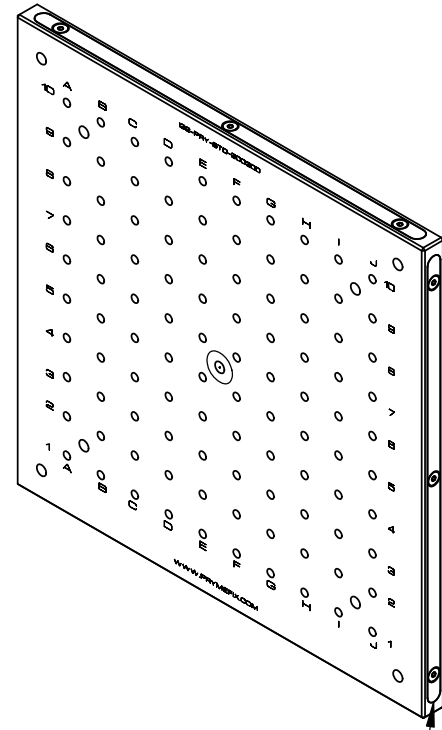


100 x 1/4-20 UNC - 1B

9 x M8x1.0 - 6H
(THREADED HOLES FOR MOUNTING CALIBRATION SHPERE)



4x STEEL INSERT FOR MAGNETIC CONTACT WITH CORNER NEST



PrymeFix
fixturing solutions

155 PRAIRIE LAKE RD, SUITE A
EAST DUNDEE, IL 60118
847.428.7122

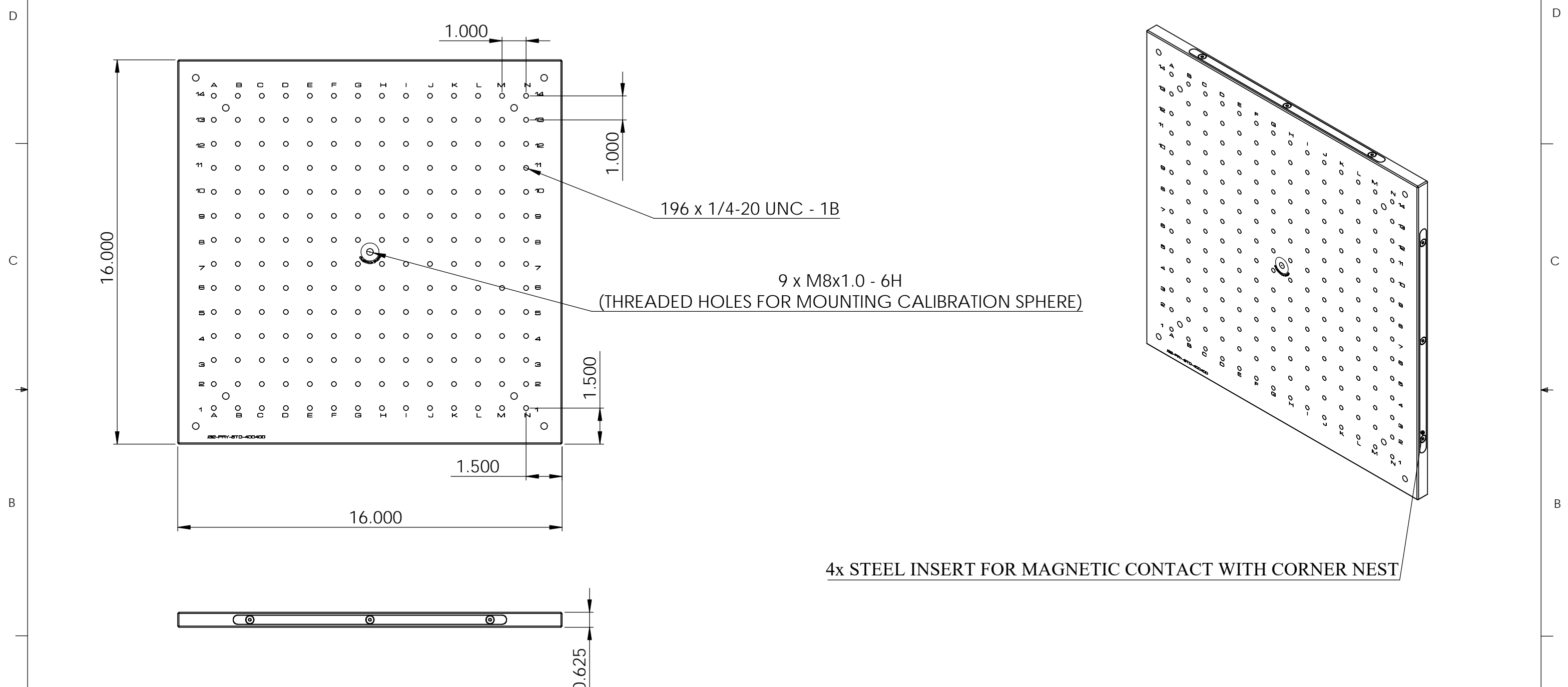
FILE NAME
I32-PRY-STD-300300
DIRECTORY
P:\Manufacturing\PrymeFix Product Line\I11 Inserts\I32-PRY-STD-300300\

PROPRIETARY AND CONFIDENTIAL

THE INFORMATION CONTAINED IN THIS DRAWING IS THE SOLE PROPERTY OF PRYMEFIX. ANY REPRODUCTION IN PART OR AS A WHOLE WITHOUT THE WRITTEN PERMISSION OF PRYMEFIX IS PROHIBITED.

1		UNLESS OTHERWISE SPECIFIED FRACTIONAL ± .003 ANGULAR: ± 1.0 TWO PLACE DECIMAL ± .010 THREE PLACE DECIMAL ± .003 FOUR PLACE DECIMAL ± .0005 (REAM)	DRAWN BY: AK	DATE 9/8/2014	
2			TITLE: 300300 INSERT: I32		
3					
4			HEAT TREAT N/A	No Pcs to Complete Order:	
5			MATERIAL 6061 ALLOY		
6			FINISH HARD COAT		
7			REVISION HISTORY	SIZE B	DWG. NO. I32-PRY-STD-300300 Prints
			SCALE: 1:3	WEIGHT: 8.92	SHEET 4 OF 4

No. COMPONENTS IN ASSLY	OP1	OP2	OP3	OP4	OP5	OP6	
1							



PrymeFix
fixturing solutions

155 PRAIRIE LAKE RD, SUITE A
EAST DUNDEE, IL 60118
847.428.7122

FILE NAME
I32-PRY-STD-400400

DIRECTORY
P:\Manufacturing\PrymeFix Product Line\I11 Inserts\I32-PRY-STD-400400\

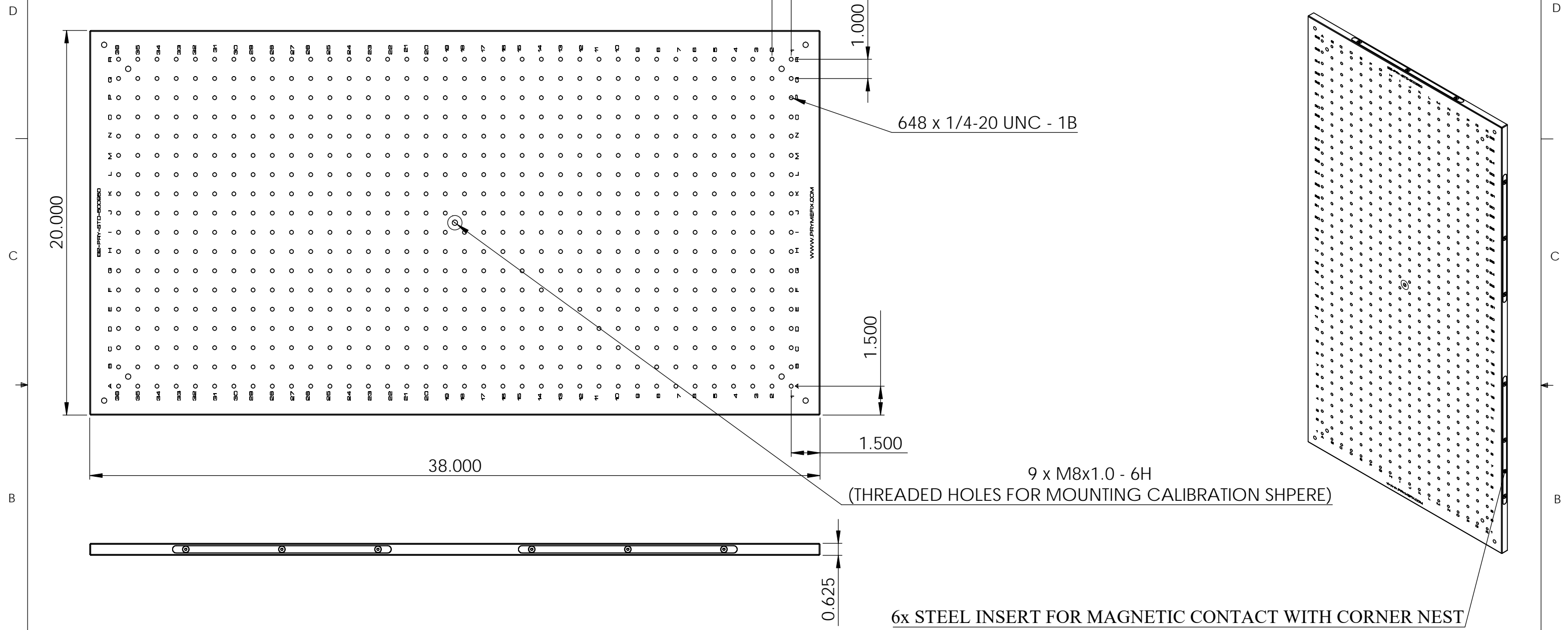
PROPRIETARY AND CONFIDENTIAL

THE INFORMATION CONTAINED IN THIS DRAWING IS THE SOLE PROPERTY OF PRYMETECH. ANY REPRODUCTION IN PART OR AS A WHOLE WITHOUT THE WRITTEN PERMISSION OF PRYMETECH IS PROHIBITED.

1		UNLESS OTHERWISE SPECIFIED	DRAWN BY: AK	DATE: 9/10/2014
2			TITLE: 400400 INSERT: I32	
3		HEAT TREAT N/A	No Pcs to Complete Order:	
4			MATERIAL 6061 Alloy	
5			FINISH HARD COAT	
6			SIZE B	DWG. NO. I32-PRY-STD-400400 Prints
7				REV 0
REVISION HISTORY		INCH UNITS	SCALE: 1:4	WEIGHT: 15.56
			SHEET 4 OF 4	

8	7	6	5	4	3	2	1
No. COMPONENTS IN ASSLY		OP1	OP2	OP3	OP4	OP5	OP6

1



155 PRAIRIE LAKE RD, SUITE A
EAST DUNDEE, IL 60118
847.428.7122

FILE NAME	I32-PRY-STD-500950
DIRECTORY	P:\Manufacturing\PrymeFix Product Line\I11 Inserts\I32-PRY-STD-500950\

PROPRIETARY AND CONFIDENTIAL

THE INFORMATION CONTAINED IN THIS DRAWING IS THE SOLE PROPERTY OF PRYMEFIX. ANY REPRODUCTION IN PART OR AS A WHOLE WITHOUT THE WRITTEN PERMISSION OF PRYMEFIX IS PROHIBITED.

1		UNLESS OTHERWISE SPECIFIED	DRAWN BY:	AK	DATE	9/10/2014
2			TITLE: 500950 INSERT: I32			
3			FRACTIONAL ± .003 ANGULAR: ± 1.0 TWO PLACE DECIMAL ± .010 THREE PLACE DECIMAL ± .003 FOUR PLACE DECIMAL ± .0005 (REAM)			
4			HEAT TREAT	N/A		
5			MATERIAL	6061 Alloy		
6			FINISH	Hard Coat		
7				No Pcs to Complete Order:		
REVISION HISTORY			SIZE	DWG. NO.	REV	
			B	I32-PRY-STD-500950 Prints	0	
			SCALE: 1:4	WEIGHT: 45.58	SHEET 4 OF 4	