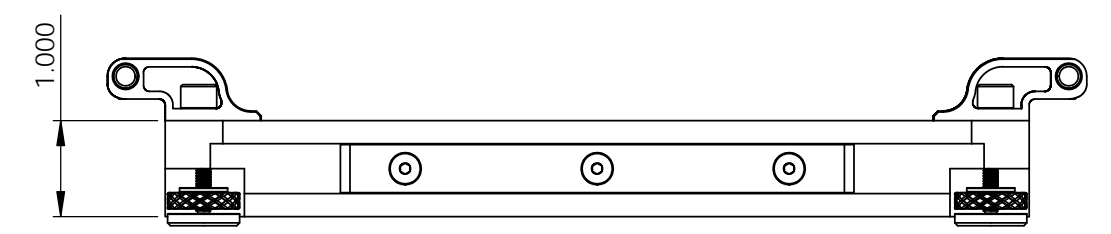
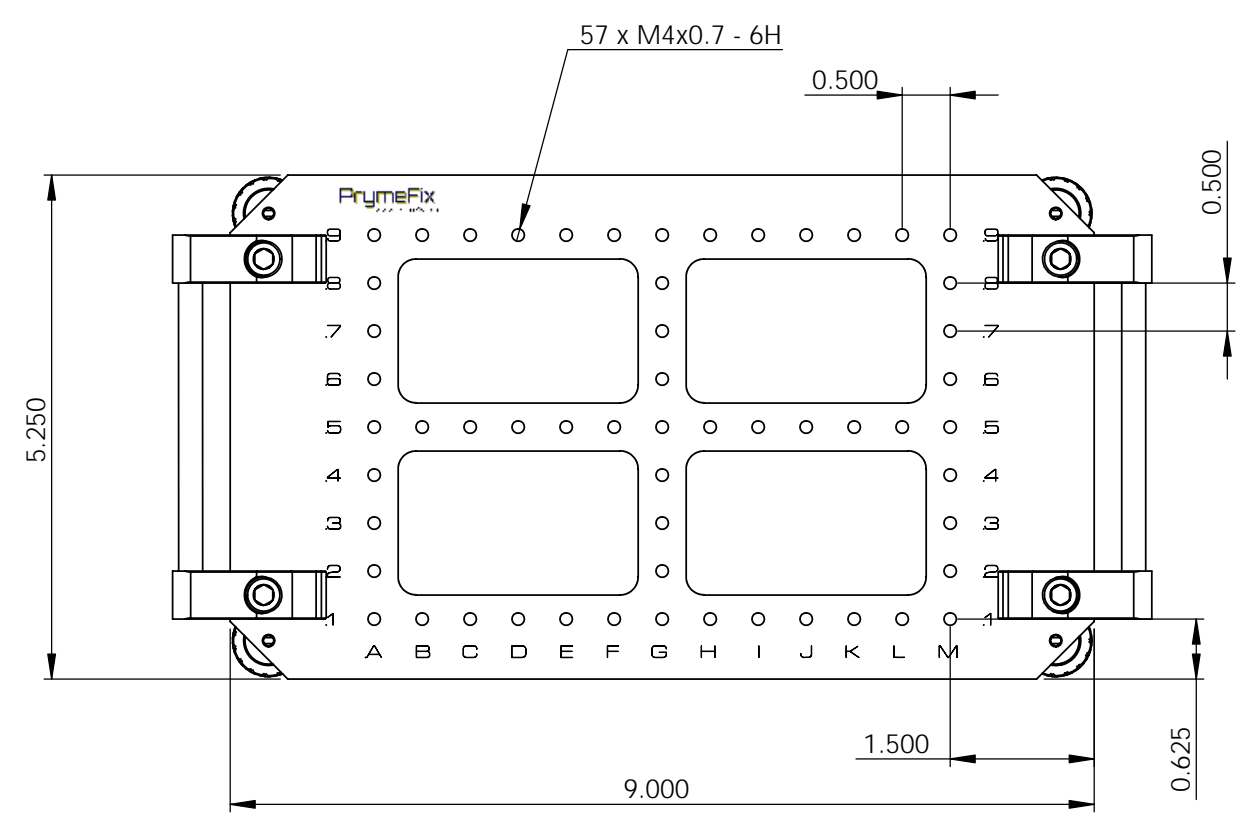
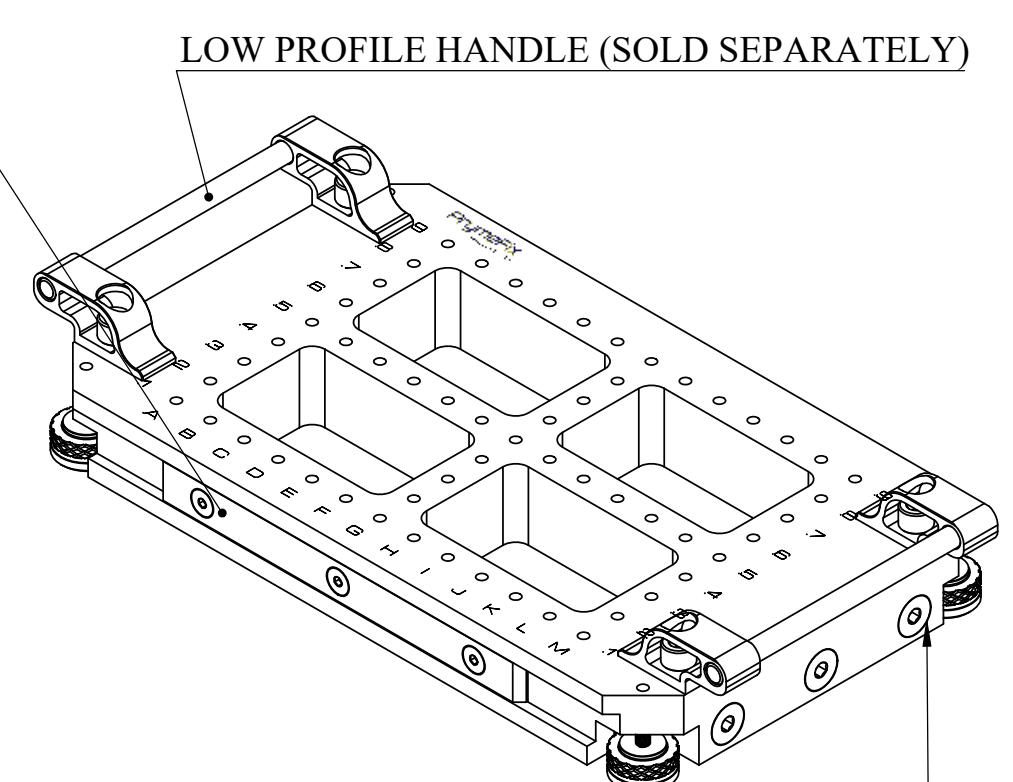


8	7	6	5	4	3	2	1
No. COMPONENTS IN ASSLY	OP1	OP2	OP3	OP4	OP5	OP6	
1							



2x STEEL INSERT FOR MAGNETIC CONTACT WITH CORNER NEST



6x STEEL SCREW FOR MAGNETIC CONTACT WITH CORNER NEST

PrymeFix
fixturing solutions

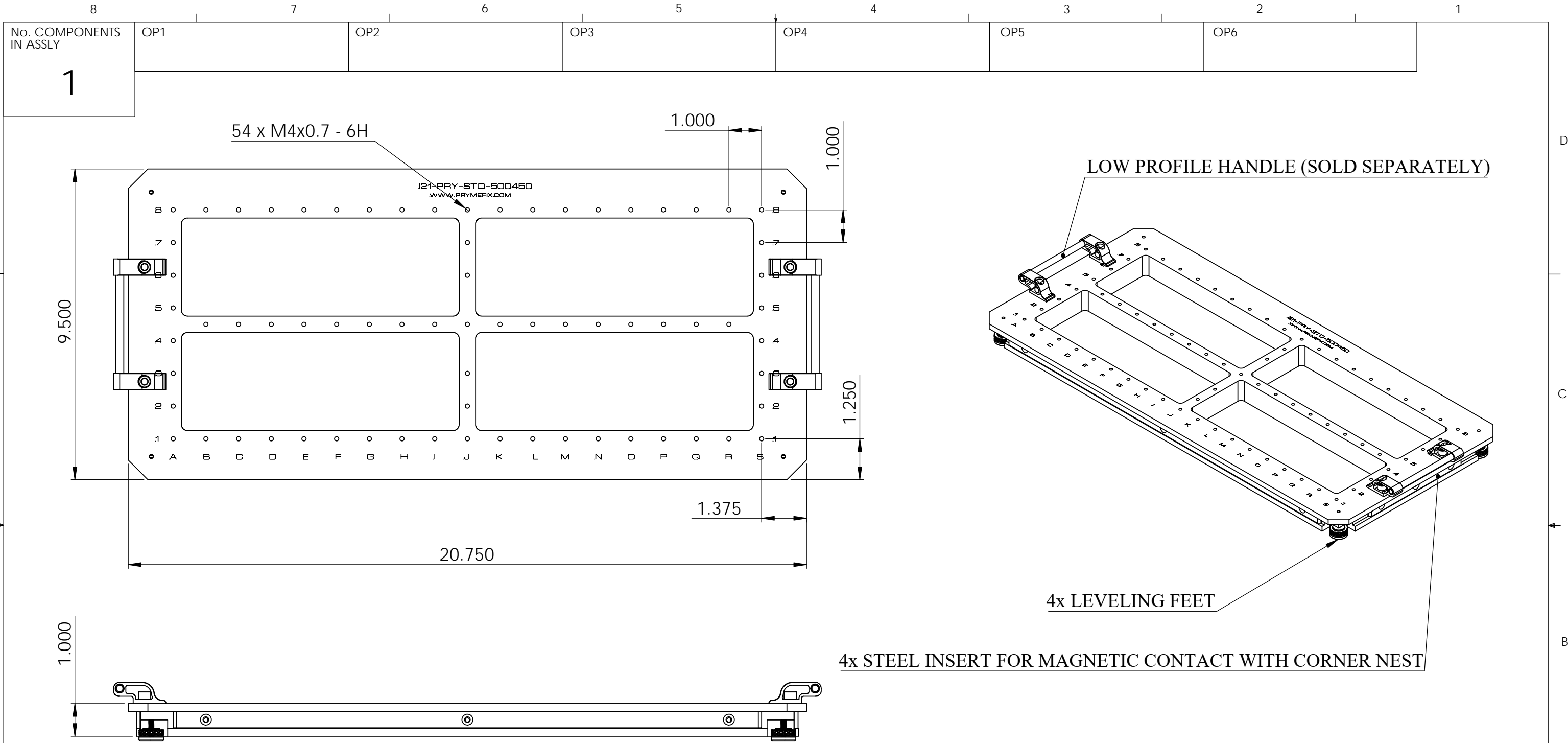
155 PRAIRIE LAKE RD, SUITE A
EAST DUNDEE, IL 60118
847.428.7122

FILE NAME
IXX-PRY-STD-150075
DIRECTORY
P:\Manufacturing\PrymeFix Product Line\11 Inserts\IXX-PRY-STD-150075\

PROPRIETARY AND CONFIDENTIAL

THE INFORMATION CONTAINED IN THIS DRAWING IS THE SOLE PROPERTY OF PRYMETECH. ANY REPRODUCTION IN PART OR AS A WHOLE WITHOUT THE WRITTEN PERMISSION OF PRYMETECH IS PROHIBITED.

1		UNLESS OTHERWISE SPECIFIED FRACTIONAL $\pm .003$ ANGULAR: ± 1.0 TWO PLACE DECIMAL $\pm .010$ THREE PLACE DECIMAL $\pm .003$ FOUR PLACE DECIMAL $\pm .0005$ (REAM)	DRAWN BY: RD	DATE 10/28/2015		
2			TITLE: 150075 INSERT: I23			
3						
4			HEAT TREAT N/A	No Pcs to Complete Order:		
5			MATERIAL Acrylic			
6			FINISH CLEAR	SIZE B	DWG. NO. IXX-PRY-STD-150075	REV 0
7			REVISION HISTORY	INCH UNITS	SCALE: 1:2	WEIGHT: 1.70



PrymeFix
fixturing solutions

155 PRAIRIE LAKE RD, SUITE A
EAST DUNDEE, IL 60118
847.428.7122

FILE NAME
IXX-PRY-STD-500450
DIRECTORY
P:\Manufacturing\PrymeFix Product Line\I11 Inserts\IXX-PRY-STD-500450\

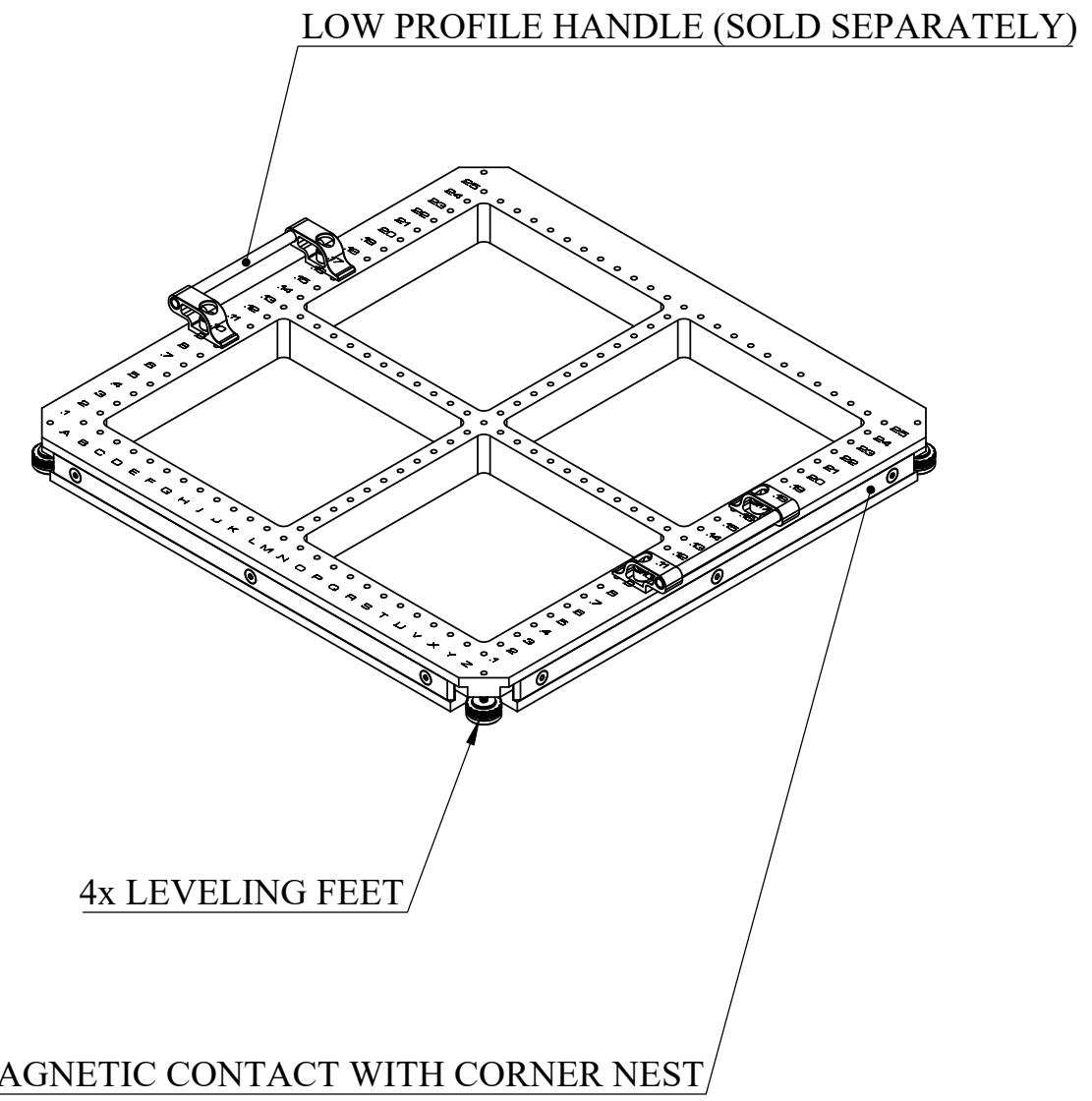
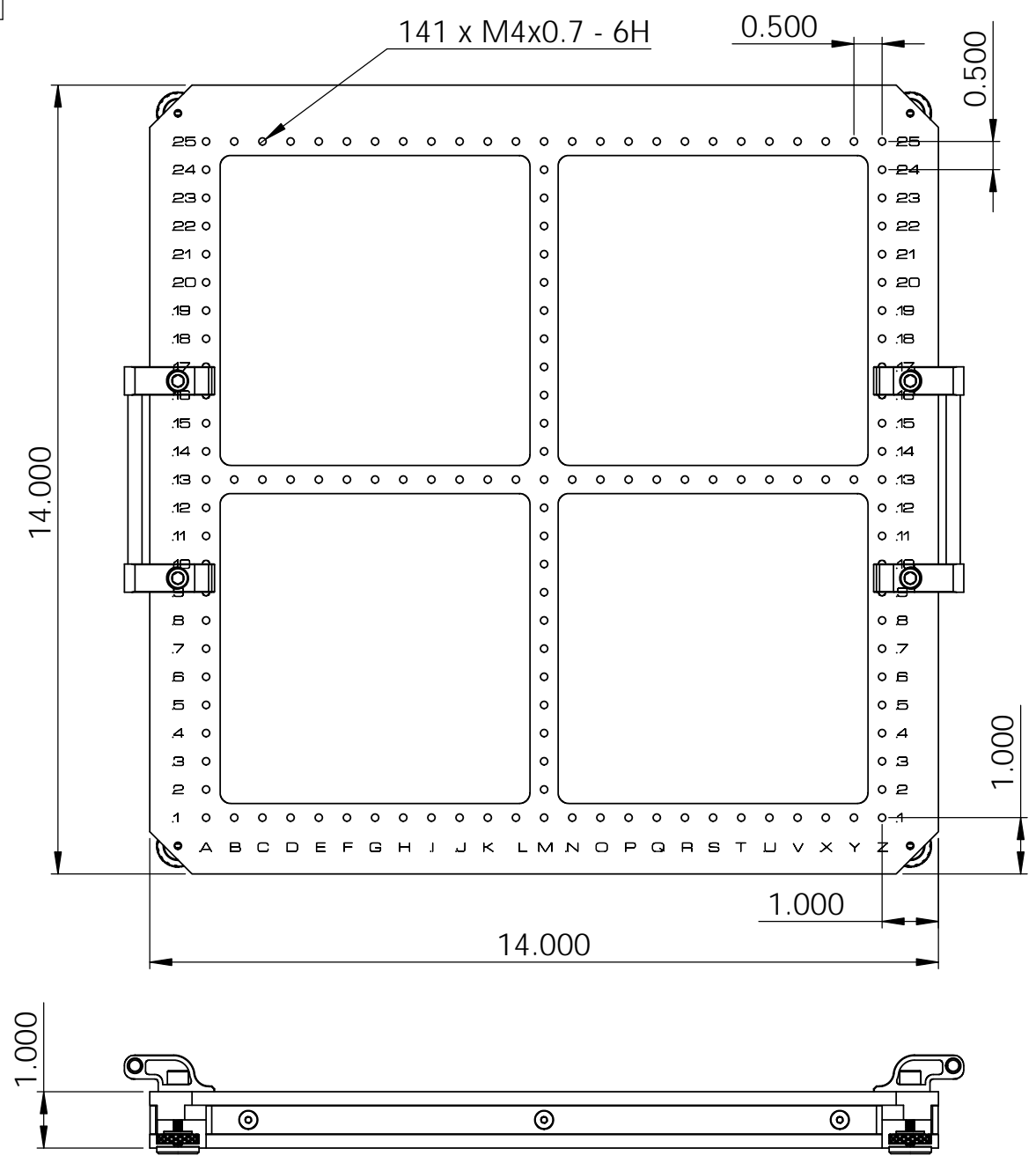
PROPRIETARY AND CONFIDENTIAL

THE INFORMATION CONTAINED IN THIS DRAWING IS THE SOLE PROPERTY OF PRYMEFIX. ANY REPRODUCTION IN PART OR AS A WHOLE WITHOUT THE WRITTEN PERMISSION OF PRYMEFIX IS PROHIBITED.

1		UNLESS OTHERWISE SPECIFIED FRACTIONAL $\pm .003$ ANGULAR: ± 1.0 TWO PLACE DECIMAL $\pm .010$ THREE PLACE DECIMAL $\pm .003$ FOUR PLACE DECIMAL $\pm .0005$ (REAM)	DRAWN BY: RD	DATE 8/7/2014		
2			TITLE: 500450 INSERT: I23			
3						
4			HEAT TREAT N/A	No Pcs to Complete Order:		
5			MATERIAL Acrylic			
6			FINISH Clear	SIZE B	DWG. NO. IXX-PRY-STD-001 PRINTS	REV 0
7			INCH UNITS	SCALE: 1:5	WEIGHT: 4.36	SHEET 12 OF 12
REVISION HISTORY						

8	7	6	5	4	3	2	1
No. COMPONENTS IN ASSLY	OP1	OP2	OP3	OP4	OP5	OP6	

1



PrymeFix
fixturing solutions

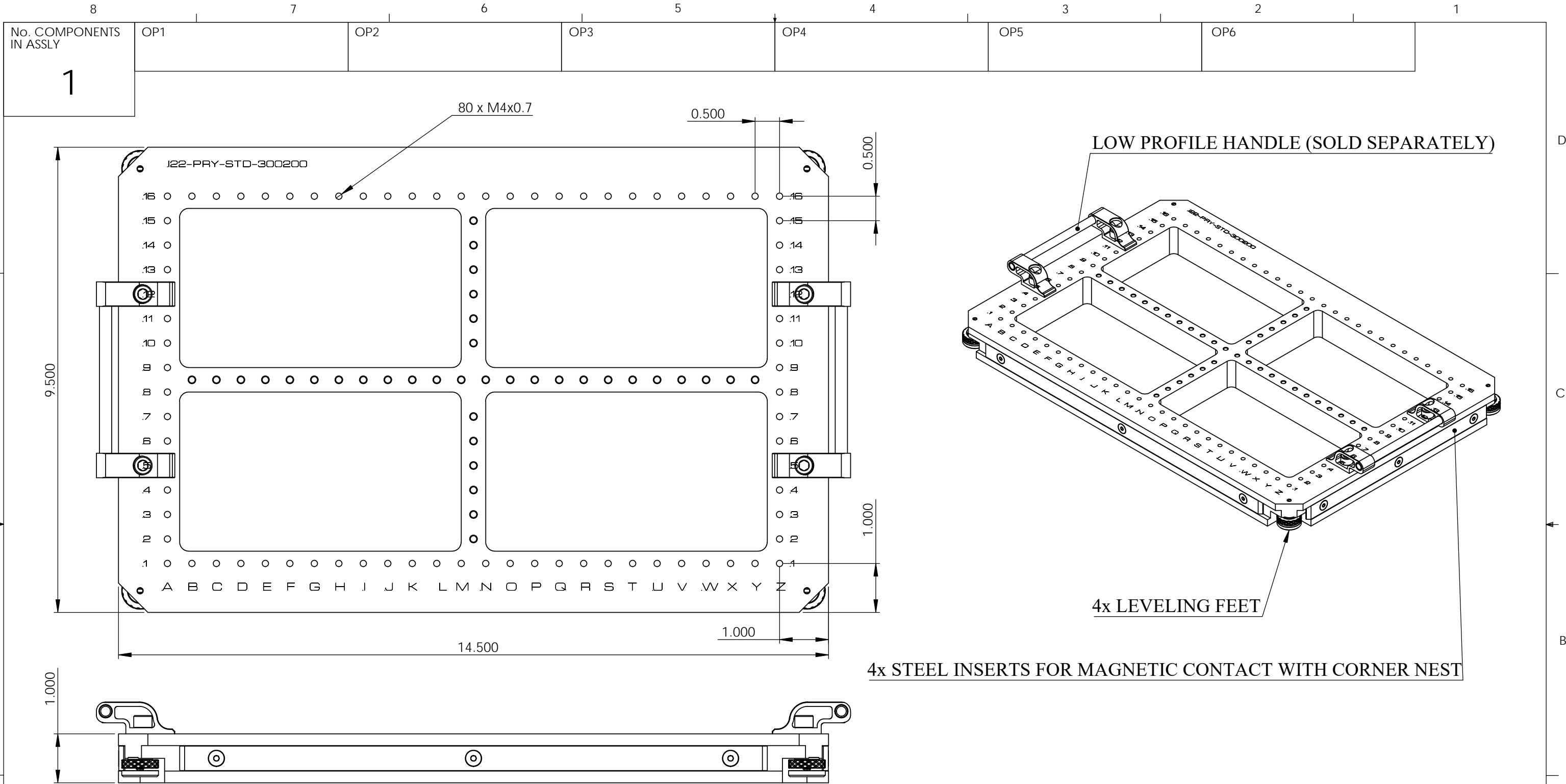
155 PRAIRIE LAKE RD, SUITE A
EAST DUNDEE, IL 60118
847.428.7122

FILE NAME
IXX-PRY-STD-300300
DIRECTORY
P:\Manufacturing\PrymeFix Product Line\11 Inserts\IXX-OGP-SSF-300300\

PROPRIETARY AND CONFIDENTIAL

THE INFORMATION CONTAINED IN THIS DRAWING IS THE SOLE PROPERTY OF PRYMEFIX. ANY REPRODUCTION IN PART OR AS A WHOLE WITHOUT THE WRITTEN PERMISSION OF PRYMEFIX IS PROHIBITED.

1		UNLESS OTHERWISE SPECIFIED FRACTIONAL $\pm .003$ ANGULAR: ± 1.0 TWO PLACE DECIMAL $\pm .010$ THREE PLACE DECIMAL $\pm .003$ FOUR PLACE DECIMAL $\pm .0005$ (REAM)	DRAWN BY: RD	DATE 8/1/2013		
2			TITLE: 300300 INSERT: I23			
3						
4			HEAT TREAT N/A	No Pcs to Complete Order:		
5			MATERIAL Acrylic			
6			FINISH CLEAR	SIZE B	DWG. NO. IXX-OGP-SSF-300300	REV 0
7				SCALE: 1:5	WEIGHT: 3.95	SHEET 11 OF 11
REVISION HISTORY		INCH UNITS				



PrymeFix
fixturing solutions

155 PRAIRIE LAKE RD, SUITE A
EAST DUNDEE, IL 60118
847.428.7122

FILE NAME
IXX-PRY-STD-300200
DIRECTORY
P:\Manufacturing\PrymeFix Product Line\11 Inserts\IXX-PRY-STD-300200\

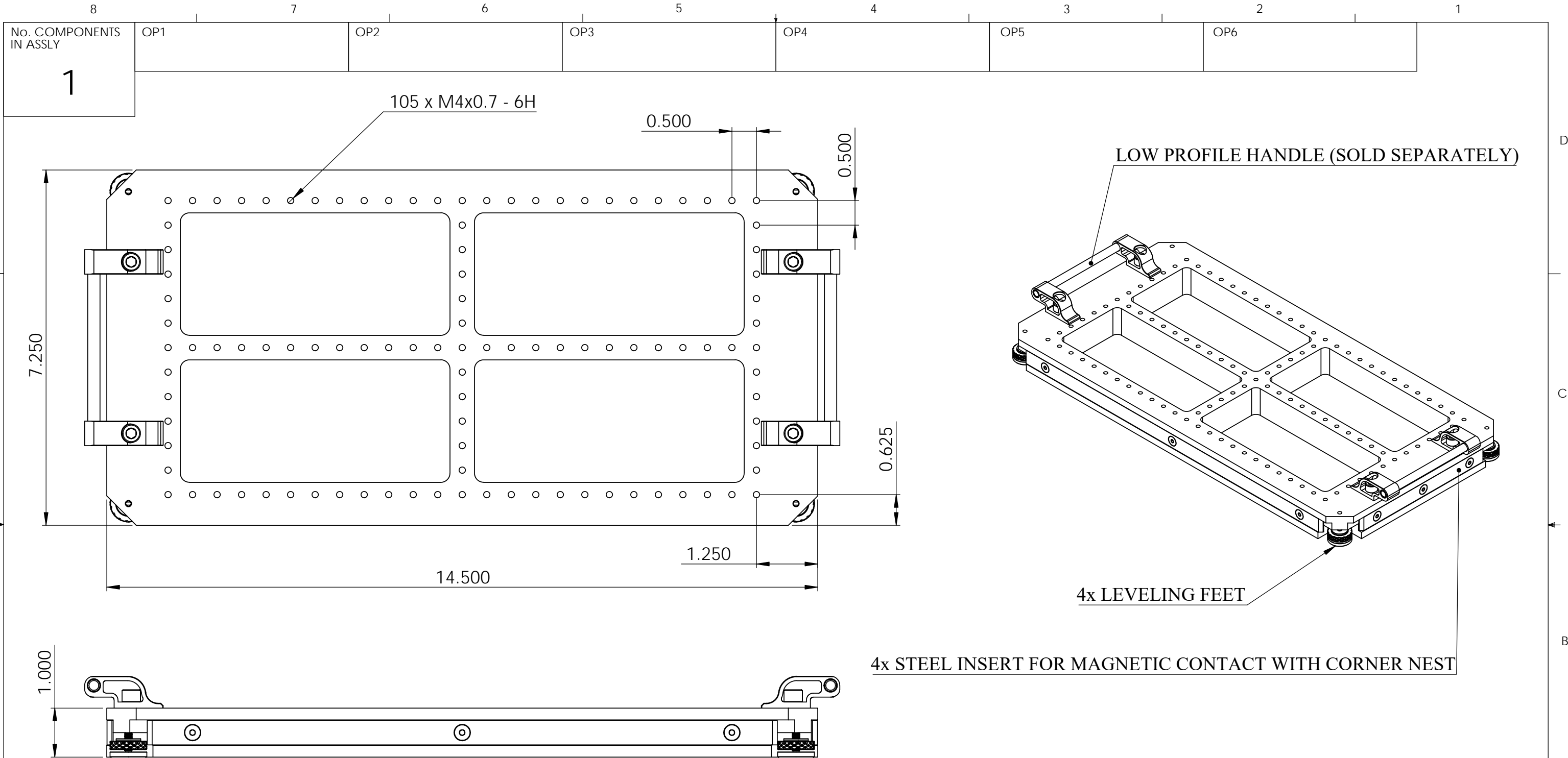
PROPRIETARY AND CONFIDENTIAL

THE INFORMATION CONTAINED IN THIS DRAWING IS THE SOLE PROPERTY OF PRYMEFIX. ANY REPRODUCTION IN PART OR AS A WHOLE WITHOUT THE WRITTEN PERMISSION OF PRYMEFIX IS PROHIBITED.

1		UNLESS OTHERWISE SPECIFIED FRACTIONAL: ± .003 ANGULAR: ± 1.0 TWO PLACE DECIMAL: ± .010 THREE PLACE DECIMAL: ± .003 FOUR PLACE DECIMAL: ± .0005 (REAM)	DRAWN BY: AK	DATE: 9/23/2015		
2			TITLE: 300200 INSERT: I23			
3						
4			HEAT TREAT: N/A	No Pcs to Complete Order:		
5			MATERIAL: Acrylic			
6			FINISH: Clear	SIZE: B	DWG. NO. IXX-PRY-STD-300200 PRINTS	REV: 0
7			REVISION HISTORY	INCH UNITS	SCALE: 1:5	WEIGHT: 3.36

A

A



PrymeFix
 fixturing solutions
 155 PRAIRIE LAKE RD, SUITE A
 EAST DUNDEE, IL 60118
 847.428.7122

FILE NAME
 Ixx-PRY-STD-300150
 DIRECTORY
 P:\Manufacturing\PrymeFix Product Line\I11 Inserts\IXX-PRY-STD-300150\

PROPRIETARY AND CONFIDENTIAL
 THE INFORMATION CONTAINED IN THIS DRAWING IS THE SOLE PROPERTY OF PRYMEFIX. ANY REPRODUCTION IN PART OR AS A WHOLE WITHOUT THE WRITTEN PERMISSION OF PRYMEFIX IS PROHIBITED.

1		UNLESS OTHERWISE SPECIFIED FRACTIONAL $\pm .003$ ANGULAR: ± 1.0 TWO PLACE DECIMAL $\pm .010$ THREE PLACE DECIMAL $\pm .003$ FOUR PLACE DECIMAL $\pm .0005$ (REAM)	DRAWN BY: RD	DATE 10/2/2015	
2			TITLE: 300150 INSERT: I23		
3					
4			HEAT TREAT N/A	No Pcs to Complete Order:	
5			MATERIAL Acrylic		
6			FINISH Clear		
7				SIZE B	DWG. NO. IXX-PRY-STD-300150 Technical Drawings
REVISION HISTORY		INCH UNITS	SCALE: 1:5	WEIGHT:	SHEET 6 OF 6

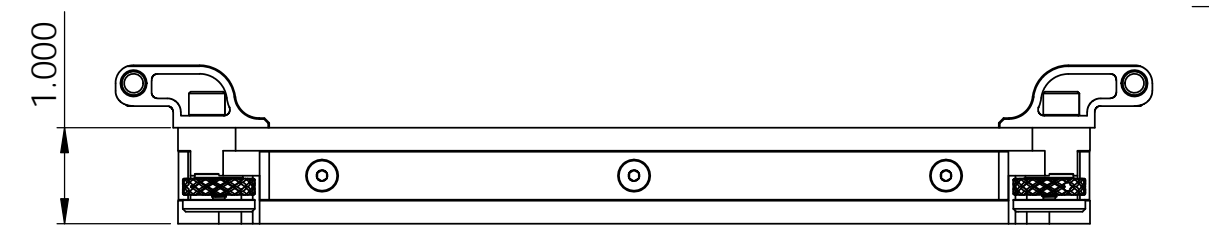
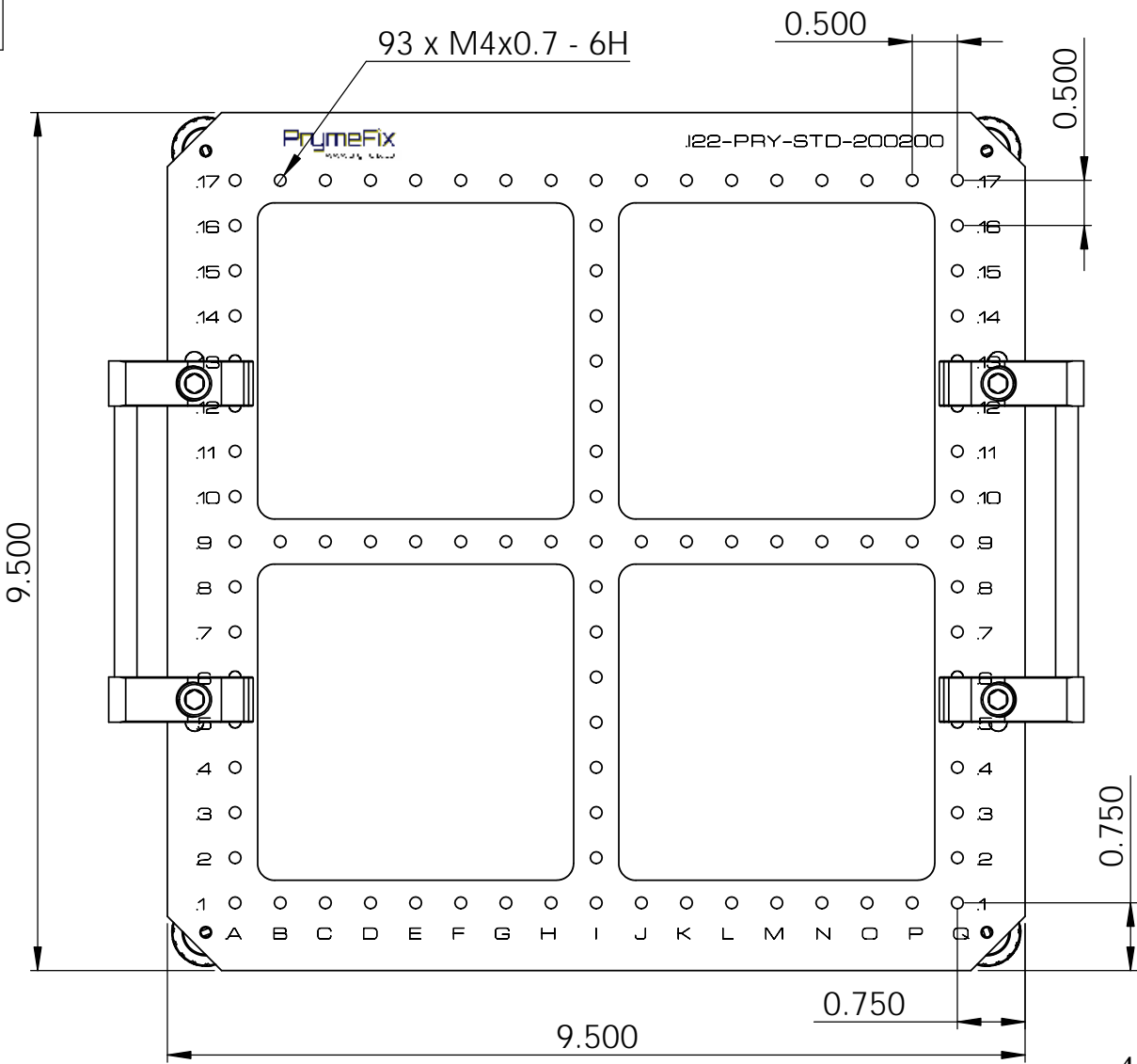
D
C
B
A

D
C
B
A

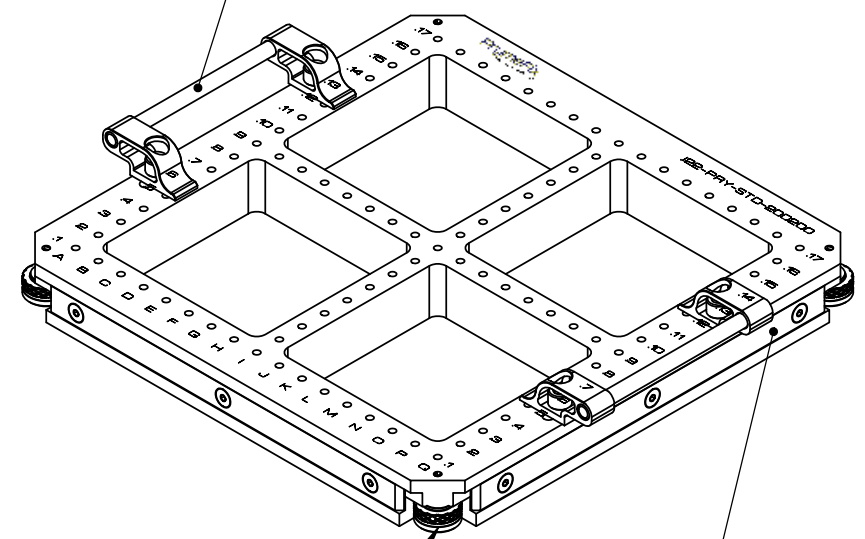
8 7 6 5 4 3 2 1

8	7	6	5	4	3	2	1
No. COMPONENTS IN ASSLY	OP1	OP2	OP3	OP4	OP5	OP6	

1



LOW PROFILE HANDLE (SOLD SEPARATELY)



4x LEVELING FEET

4x STEEL INSERT FOR MAGNETIC CONTACT WITH CORNER NEST

PrymeFix
fixturing solutions

155 PRAIRIE LAKE RD, SUITE A
EAST DUNDEE, IL 60118
847.428.7122

FILE NAME
I22-PRY-STD-200200
DIRECTORY
P:\Manufacturing\PrymeFix Product Line\I11 Inserts\IXX-OGP-SSF-200200\

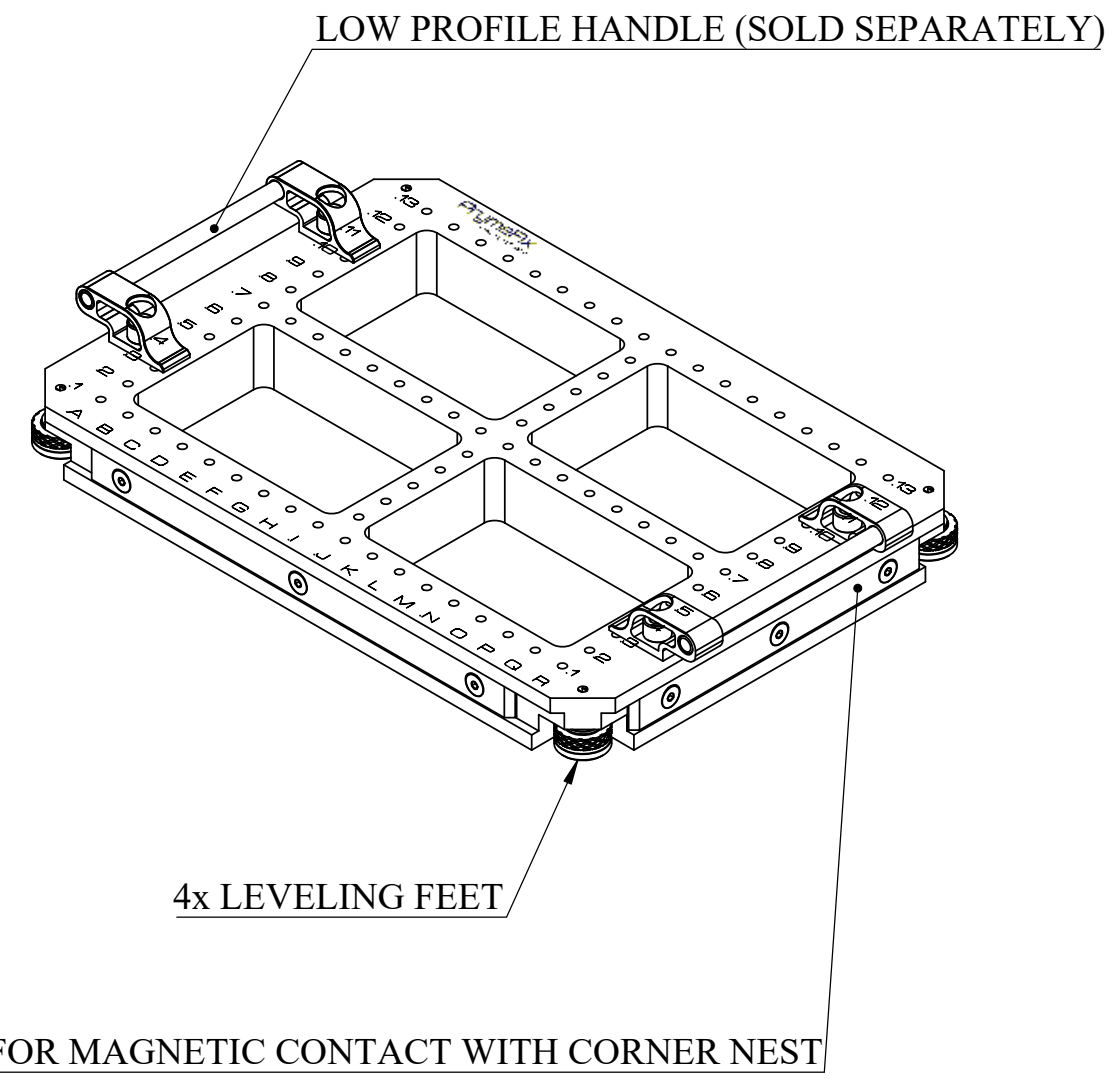
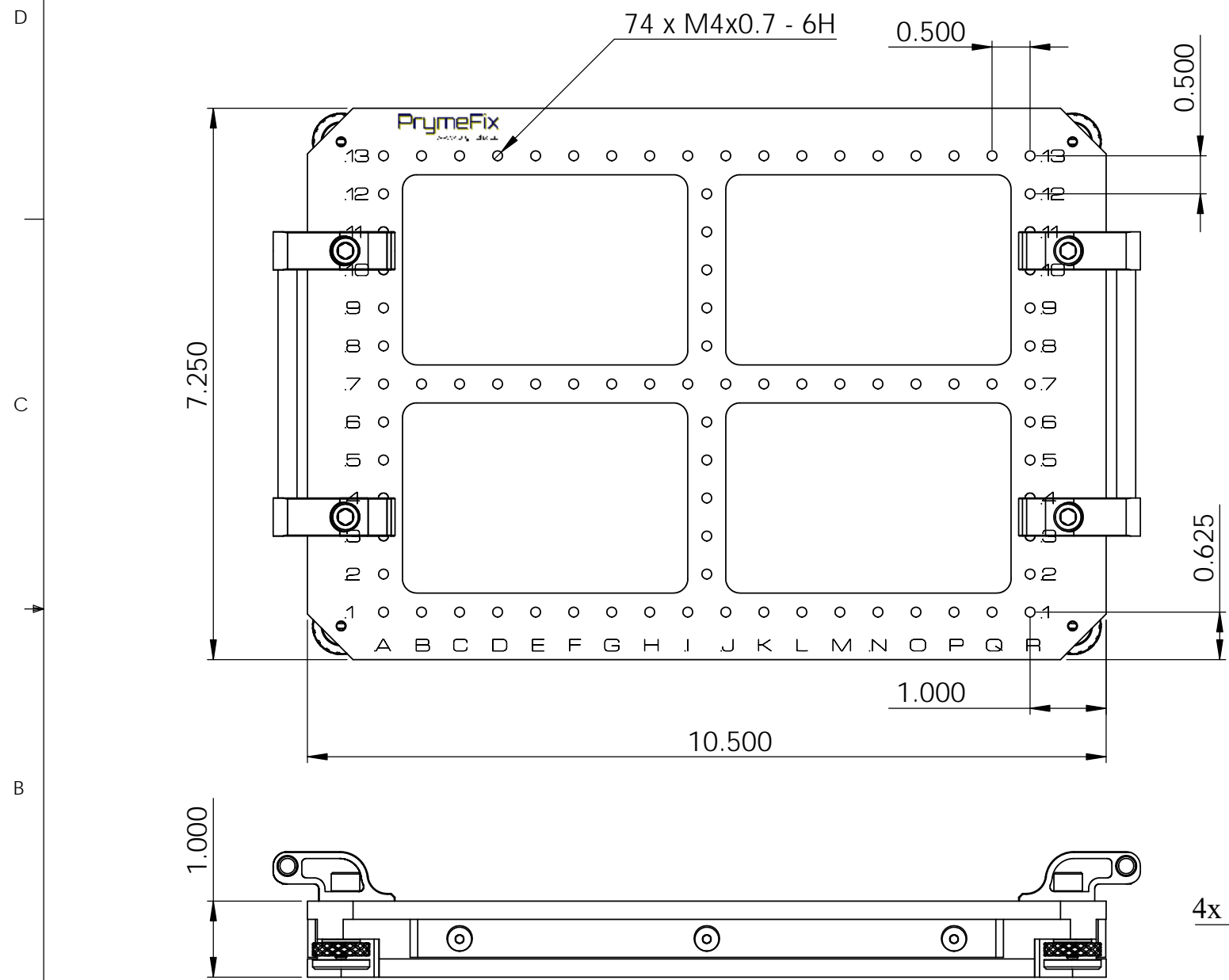
PROPRIETARY AND CONFIDENTIAL

THE INFORMATION CONTAINED IN THIS DRAWING IS THE SOLE PROPERTY OF PRYMEFIX. ANY REPRODUCTION IN PART OR AS A WHOLE WITHOUT THE WRITTEN PERMISSION OF PRYMEFIX IS PROHIBITED.

1		UNLESS OTHERWISE SPECIFIED FRACTIONAL $\pm .003$ ANGULAR: ± 1.0 TWO PLACE DECIMAL $\pm .010$ THREE PLACE DECIMAL $\pm .003$ FOUR PLACE DECIMAL $\pm .0005$ (REAM)	DRAWN BY: RD	DATE 7/27/2013		
2			TITLE: 200200 INSERT: I23			
3						
4			HEAT TREAT N/A	No Pcs to Complete Order:		
5			MATERIAL Acrylic			
6			FINISH CLEAR	SIZE B	DWG. NO. IXX-PRY-STD-200200	REV 1
7				SCALE: 1:5	WEIGHT: 2.31	SHEET 12 OF 12
REVISION HISTORY		INCH UNITS				

8	7	6	5	4	3	2	1
---	---	---	---	---	---	---	---

No. COMPONENTS IN ASSLY	OP1	OP2	OP3	OP4	OP5	OP6
1						



4x STEEL INSERT FOR MAGNETIC CONTACT WITH CORNER NEST

PrymeFix
fixturing solutions

155 PRAIRIE LAKE RD, SUITE A
EAST DUNDEE, IL 60118
847.428.7122

FILE NAME
I12-PRY-STD-200150

DIRECTORY
P:\Manufacturing\PrymeFix Product Line\I11 Inserts\IXX-PRY-STD-200150\

PROPRIETARY AND CONFIDENTIAL

THE INFORMATION CONTAINED IN THIS DRAWING IS THE SOLE PROPERTY OF PRYMEFIX. ANY REPRODUCTION IN PART OR AS A WHOLE WITHOUT THE WRITTEN PERMISSION OF PRYMEFIX IS PROHIBITED.

1		UNLESS OTHERWISE SPECIFIED	DRAWN BY: RD	DATE 10/8/2013
2			TITLE: 200150 INSERT: I23	
3				
4			FRACTIONAL ± .003 ANGULAR: ± 1.0 TWO PLACE DECIMAL ± .010 THREE PLACE DECIMAL ± .003 FOUR PLACE DECIMAL ± .0005 (REAM)	
5			HEAT TREAT N/A	No Pcs to Complete Order:
6			MATERIAL Acrylic	
7			FINISH Clear	
REVISION HISTORY			SIZE B	DWG. NO. IXX-PRY-STD-200150 PRINTS
			SCALE: 1:2	WEIGHT: 2.22
			SHEET 10 OF 10	
			REV 1	