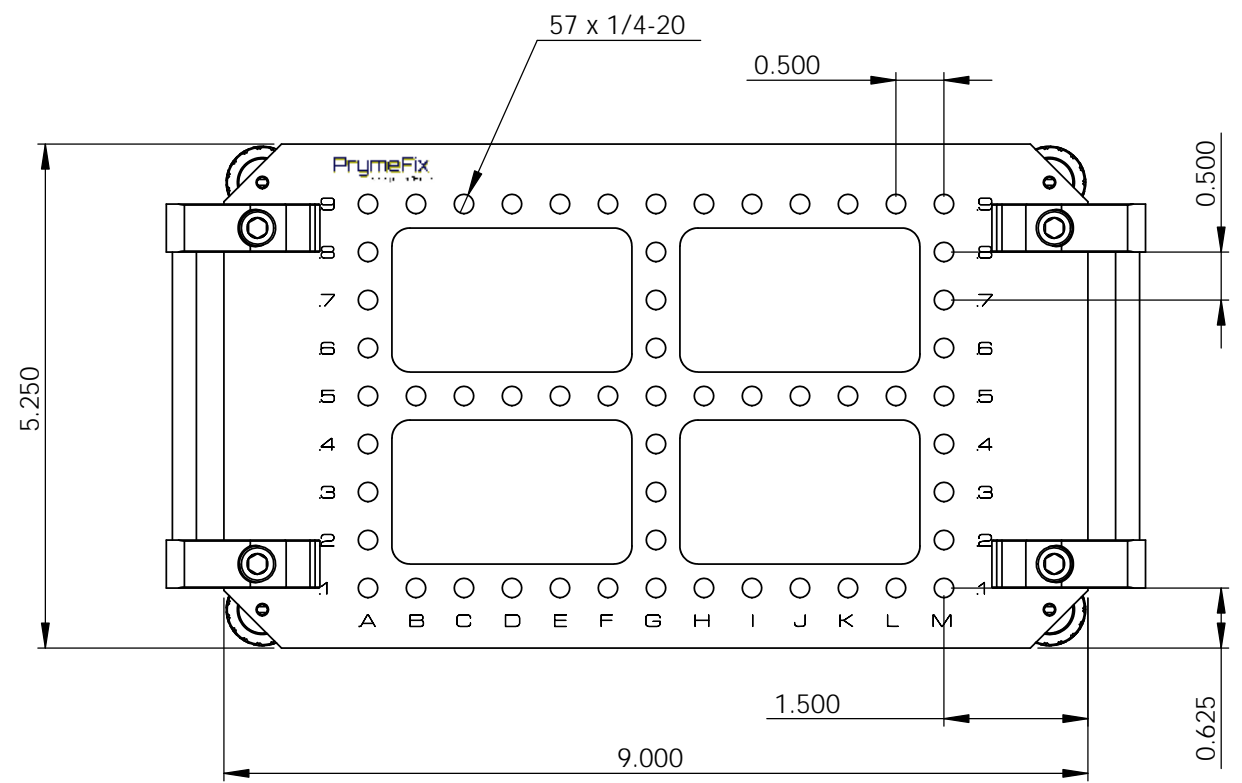
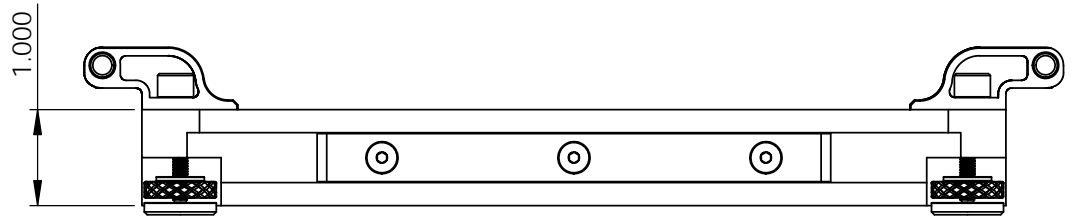
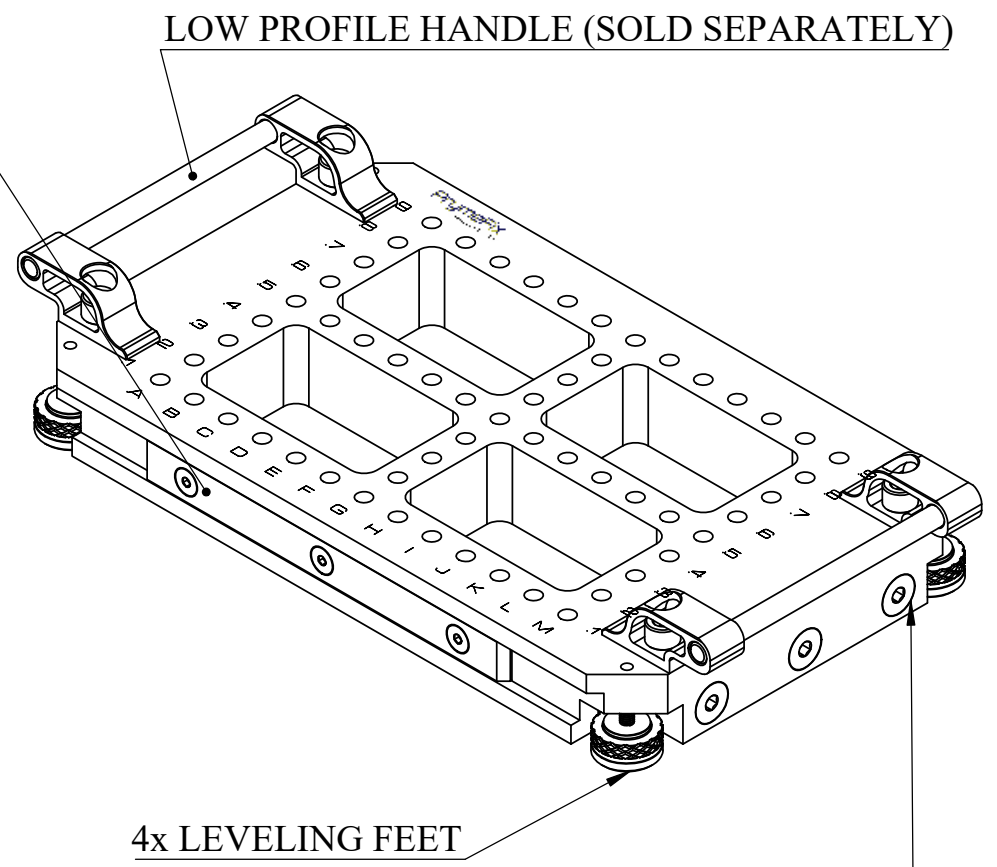


No. COMPONENTS IN ASSLY 1	OP1	OP2	OP3	OP4	OP5	OP6



2x STEEL INSERT FOR MAGNETIC CONTACT WITH CORNER NEST



6x STEEL SCREW FOR MAGNETIC CONTACT WITH CORNER NEST

PrymeFix
fixturing solutions

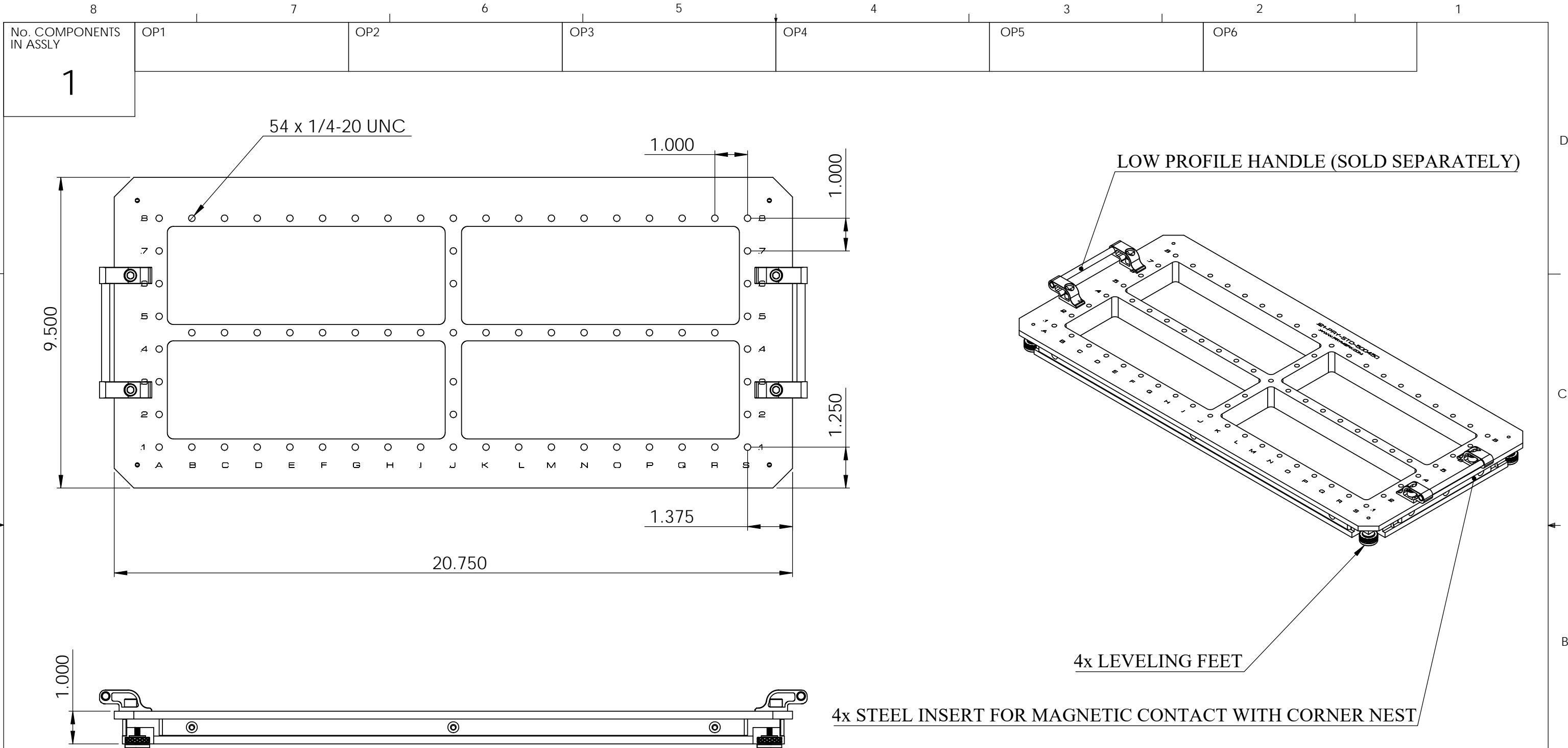
155 PRAIRIE LAKE RD, SUITE A
EAST DUNDEE, IL 60118
847.428.7122

FILE NAME
IXX-PRY-STD-150075
DIRECTORY
P:\Manufacturing\PrymeFix Product Line\I11 Inserts\IXX-PRY-STD-150075\

PROPRIETARY AND CONFIDENTIAL

THE INFORMATION CONTAINED IN THIS DRAWING IS THE SOLE PROPERTY OF PRYMEFIX. ANY REPRODUCTION IN PART OR AS A WHOLE WITHOUT THE WRITTEN PERMISSION OF PRYMEFIX IS PROHIBITED.

1		UNLESS OTHERWISE SPECIFIED	DRAWN BY: RD	DATE 10/28/2015	
2			FRACTIONAL $\pm .003$ ANGULAR: ± 1.0 TWO PLACE DECIMAL $\pm .010$ THREE PLACE DECIMAL $\pm .003$ FOUR PLACE DECIMAL $\pm .0005$ (REAM)	TITLE: 150075 INSERT: I13	
3		HEAT TREAT N/A	No Pcs to Complete Order:		
4		MATERIAL Acrylic			
5		FINISH CLEAR	SIZE B	DWG. NO. IXX-PRY-STD-150075	REV 0
REVISION HISTORY		INCH UNITS	SCALE: 1:2	WEIGHT: 1.67	SHEET 6 OF 9



PrymeFix
fixturing solutions

155 PRAIRIE LAKE RD, SUITE A
EAST DUNDEE, IL 60118
847.428.7122

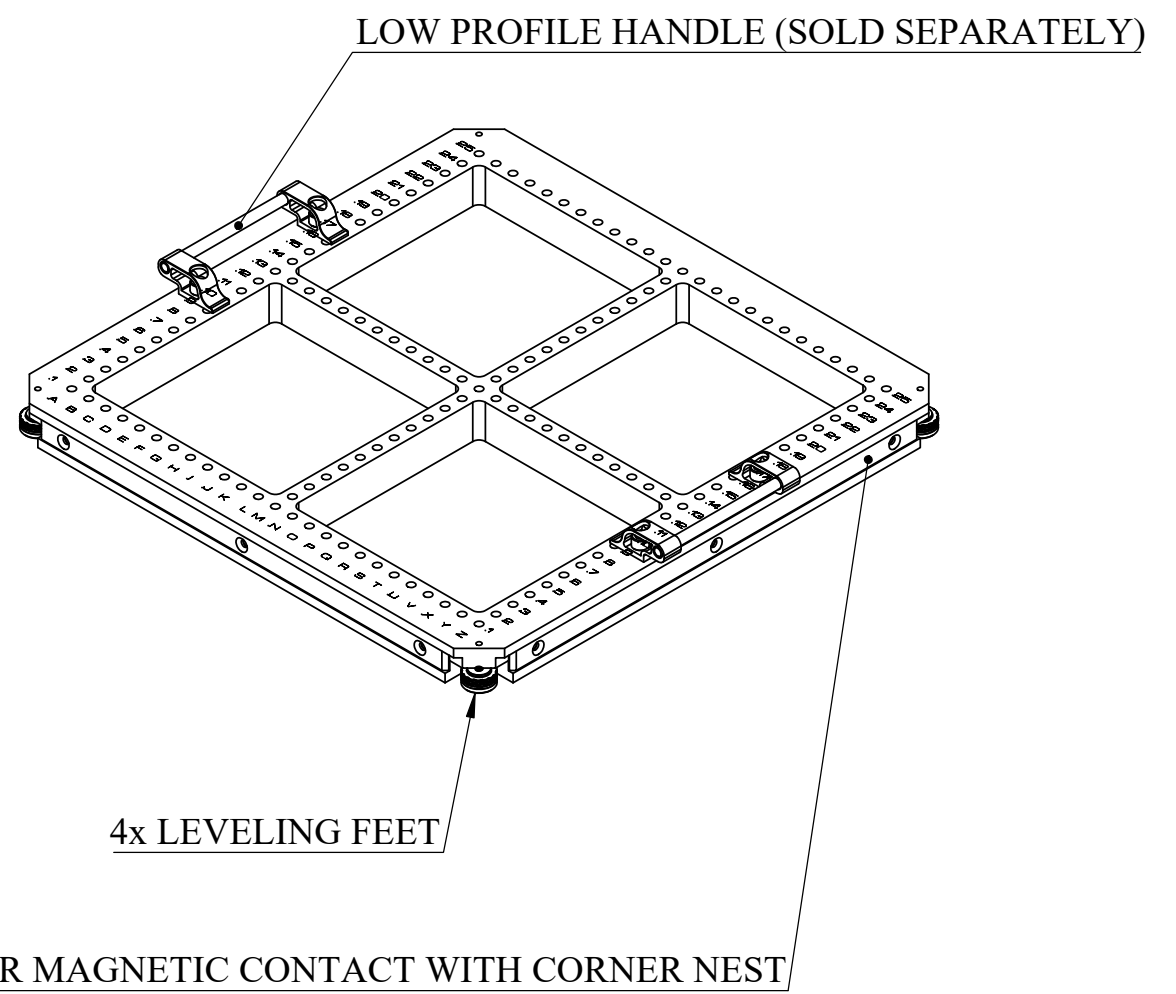
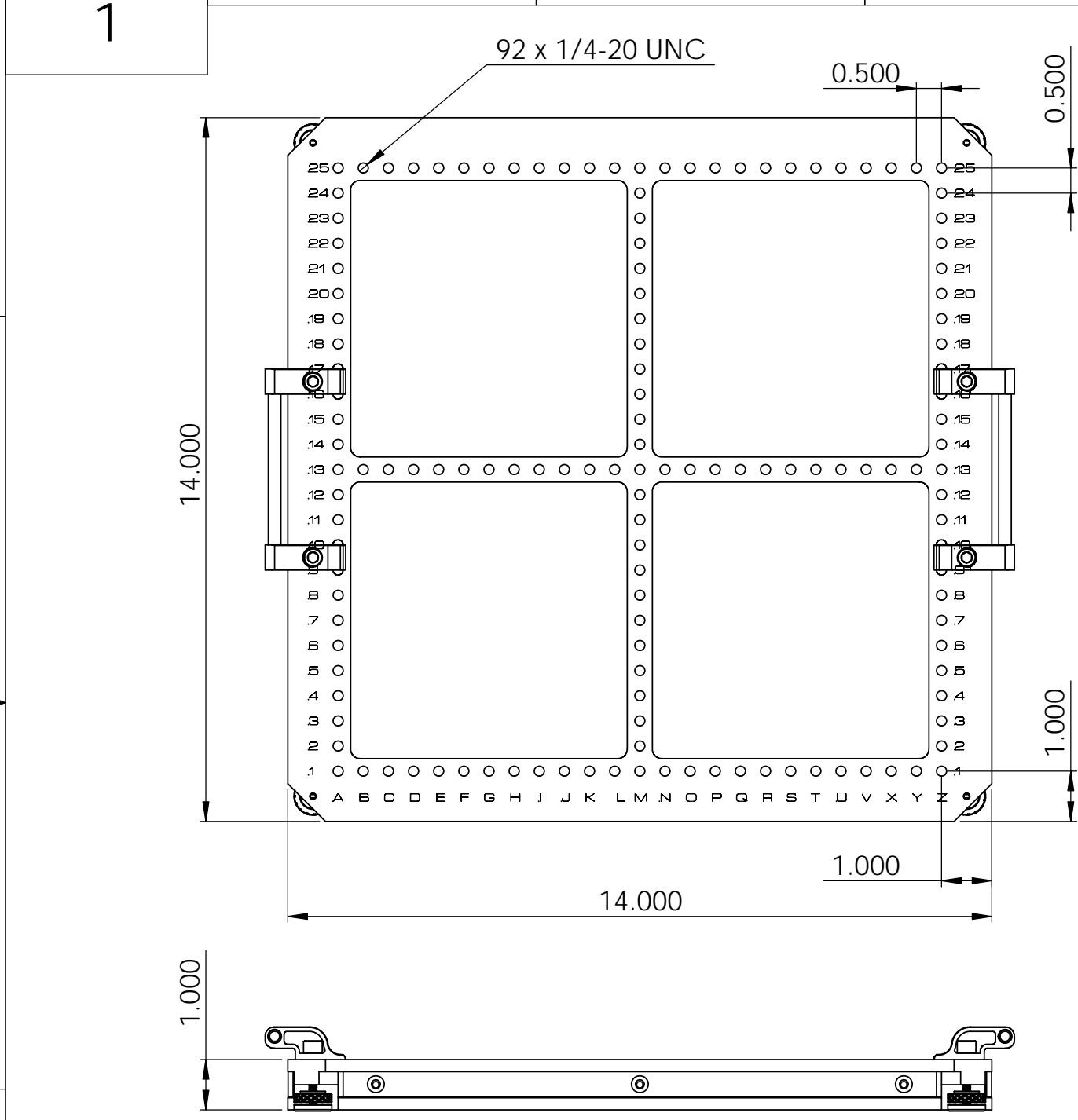
FILE NAME
IXX-PRY-STD-500450
DIRECTORY
P:\Manufacturing\PrymeFix Product Line\I11 Inserts\IXX-PRY-STD-500450\

PROPRIETARY AND CONFIDENTIAL

THE INFORMATION CONTAINED IN THIS DRAWING IS THE SOLE PROPERTY OF PRYMEFIX. ANY REPRODUCTION IN PART OR AS A WHOLE WITHOUT THE WRITTEN PERMISSION OF PRYMEFIX IS PROHIBITED.

1		UNLESS OTHERWISE SPECIFIED FRACTIONAL ± .003 ANGULAR: ± 1.0 TWO PLACE DECIMAL ± .010 THREE PLACE DECIMAL ± .003 FOUR PLACE DECIMAL ± .0005 (REAM)	DRAWN BY: RD	DATE 8/7/2014		
2			TITLE: 500450 INSERT: I13			
3						
4			HEAT TREAT N/A	No Pcs to Complete Order:		
5			MATERIAL Acrylic			
6			FINISH CLEAR	SIZE B	DWG. NO. IXX-PRY-STD-001 PRINTS	REV 0
7			REVISION HISTORY	SCALE: 1:5	WEIGHT: 4.30	SHEET 9 OF 12

8	7	6	5	4	3	2	1
No. COMPONENTS IN ASSLY	OP1	OP2	OP3	OP4	OP5	OP6	



PrymeFix
fixturing solutions

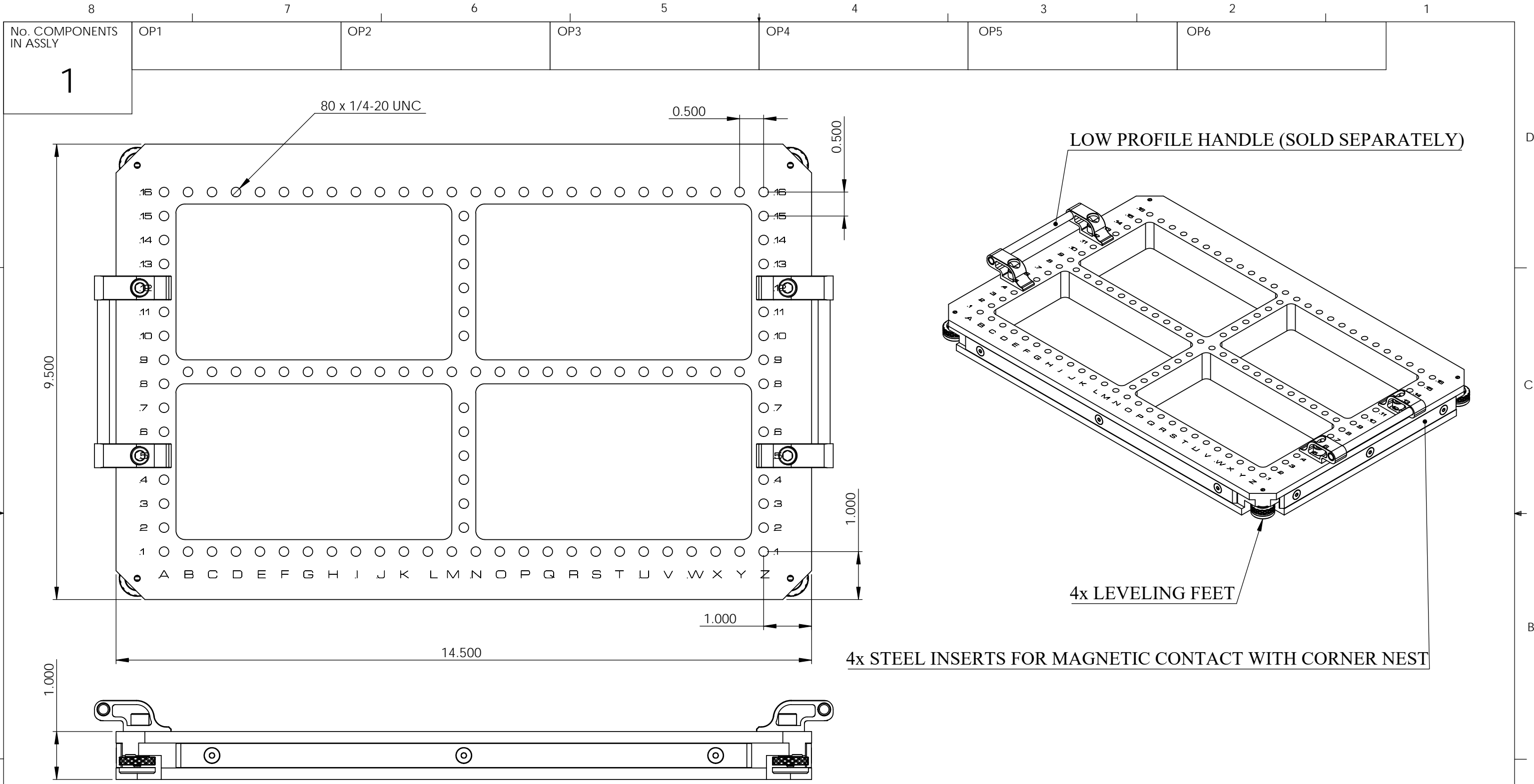
155 PRAIRIE LAKE RD, SUITE A
EAST DUNDEE, IL 60118
847.428.7122

FILE NAME	I13-PRY-STD-300300
DIRECTORY	P:\Manufacturing\PrymeFix Product Line\I11 Inserts\IXX-OGP-SSF-300300\

PROPRIETARY AND CONFIDENTIAL

THE INFORMATION CONTAINED IN THIS DRAWING IS THE SOLE PROPERTY OF PRYMEFIX. ANY REPRODUCTION IN PART OR AS A WHOLE WITHOUT THE WRITTEN PERMISSION OF PRYMEFIX IS PROHIBITED.

1		UNLESS OTHERWISE SPECIFIED	DRAWN BY:	RD	DATE	8/1/2013
2			TITLE: 300300 INSERT: I13			
3			SIZE B DWG. NO. IXX-OGP-SSF-300300 REV 0			
4			HEAT TREAT N/A	No Pcs to Complete Order:		
5			MATERIAL Acrylic	SCALE: 1:5 WEIGHT: 3.77 SHEET 8 OF 11		
6			FINISH Clear	INCH UNITS		
7			REVISION HISTORY			



PrymeFix
fixturing solutions

155 PRAIRIE LAKE RD, SUITE A
EAST DUNDEE, IL 60118
847.428.7122

FILE NAME
IXX-PRY-STD-300200
DIRECTORY
P:\Manufacturing\PrymeFix Product Line\I11 Inserts\IXX-PRY-STD-300200\

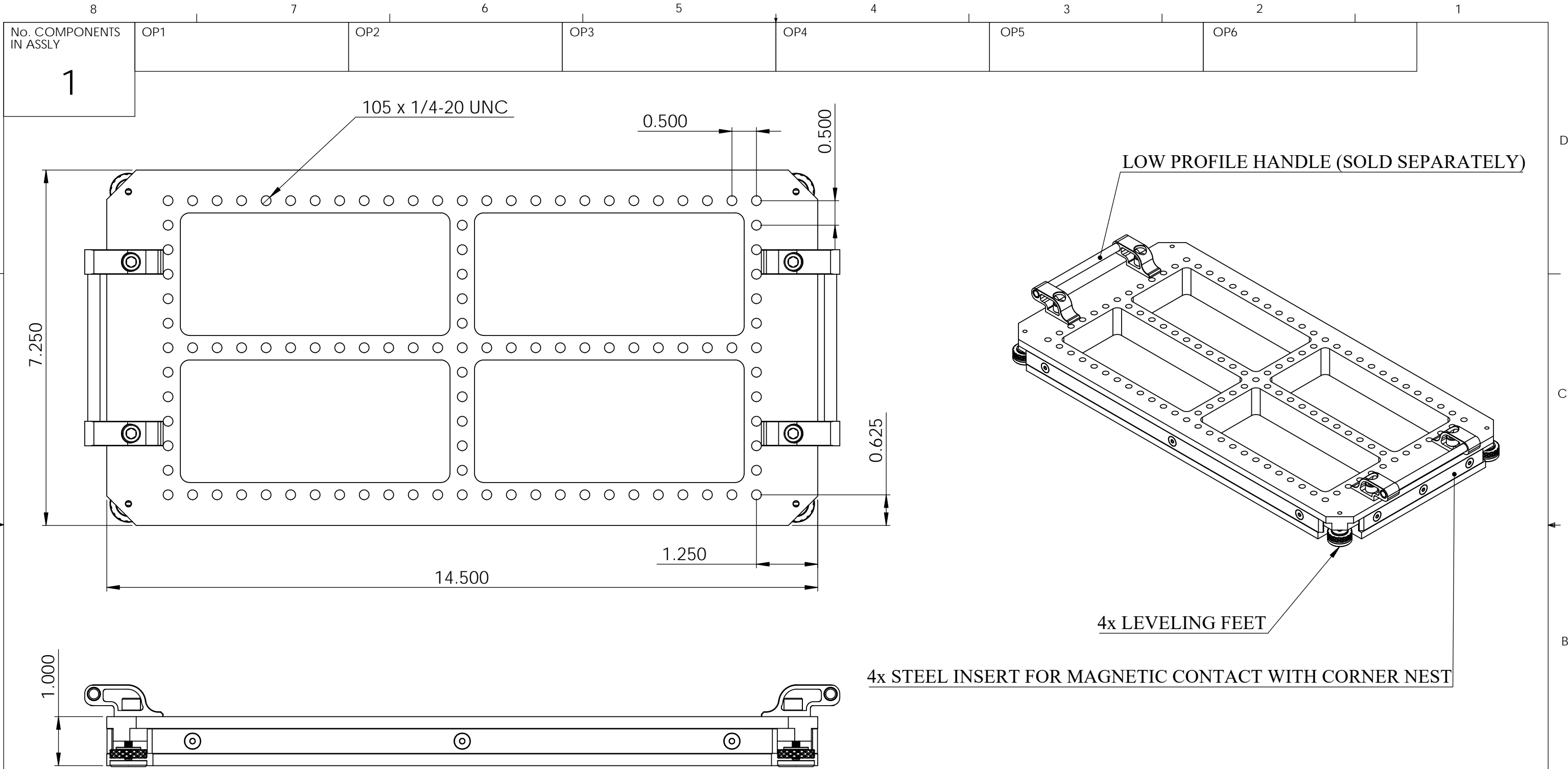
PROPRIETARY AND CONFIDENTIAL

THE INFORMATION CONTAINED IN THIS DRAWING IS THE SOLE PROPERTY OF PRYMEFIX. ANY REPRODUCTION IN PART OR AS A WHOLE WITHOUT THE WRITTEN PERMISSION OF PRYMEFIX IS PROHIBITED.

1		UNLESS OTHERWISE SPECIFIED FRACTIONAL $\pm .003$ ANGULAR: ± 1.0 TWO PLACE DECIMAL $\pm .010$ THREE PLACE DECIMAL $\pm .003$ FOUR PLACE DECIMAL $\pm .0005$ (REAM)	DRAWN BY: AK	DATE 9/23/2015	
2			TITLE: 300200 INSERT: I13		
3					
4			HEAT TREAT N/A	No Pcs to Complete Order:	
5			MATERIAL Acrylic		
6			FINISH Clear		
7			INCH UNITS	SIZE B	DWG. NO. IXX-PRY-STD-300200 PRINTS
REVISION HISTORY		SCALE: 1:5	WEIGHT: 3.22	SHEET 9 OF 12	

A

A



PrymeFix

fixturing solutions

155 PRAIRIE LAKE RD, SUITE A
EAST DUNDEE, IL 60118
847.428.7122

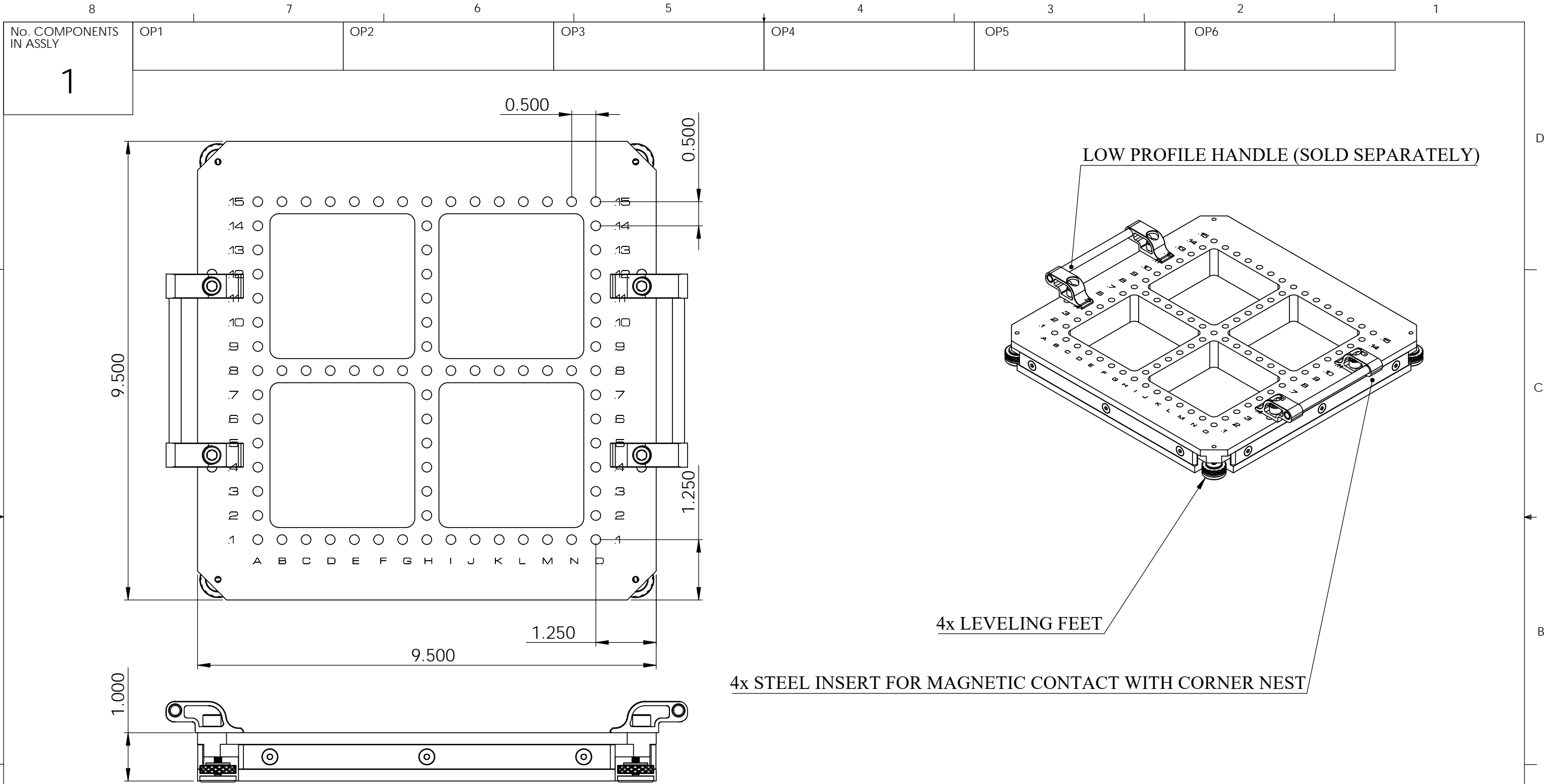
FILE NAME
Ixx-PRY-STD-300150
DIRECTORY
P:\Manufacturing\PrymeFix Product Line\I11 Inserts\IXX-PRY-STD-300150\

PROPRIETARY AND CONFIDENTIAL

THE INFORMATION CONTAINED IN THIS DRAWING IS THE SOLE PROPERTY OF PRYMEFIX. ANY REPRODUCTION IN PART OR AS A WHOLE WITHOUT THE WRITTEN PERMISSION OF PRYMEFIX IS PROHIBITED.

1		UNLESS OTHERWISE SPECIFIED FRACTIONAL ± .003 ANGULAR: ± 1.0 TWO PLACE DECIMAL ± .010 THREE PLACE DECIMAL ± .003 FOUR PLACE DECIMAL ± .0005 (REAM)	DRAWN BY: RD	DATE 10/2/2015		
2			TITLE: 300150 INSERT: I13			
3						
4			HEAT TREAT N/A	No Pcs to Complete Order:		
5			MATERIAL Acrylic			
6			FINISH Clear			
7			REVISION HISTORY	INCH UNITS	SCALE: 1:5	WEIGHT:

SIZE **B** DWG. NO. IXX-PRY-STD-300150
Technical Drawings
REV **1**



PrymeFix
 fixturing solutions

155 PRAIRIE LAKE RD, SUITE A
 EAST DUNDEE, IL 60118
 847.428.7122

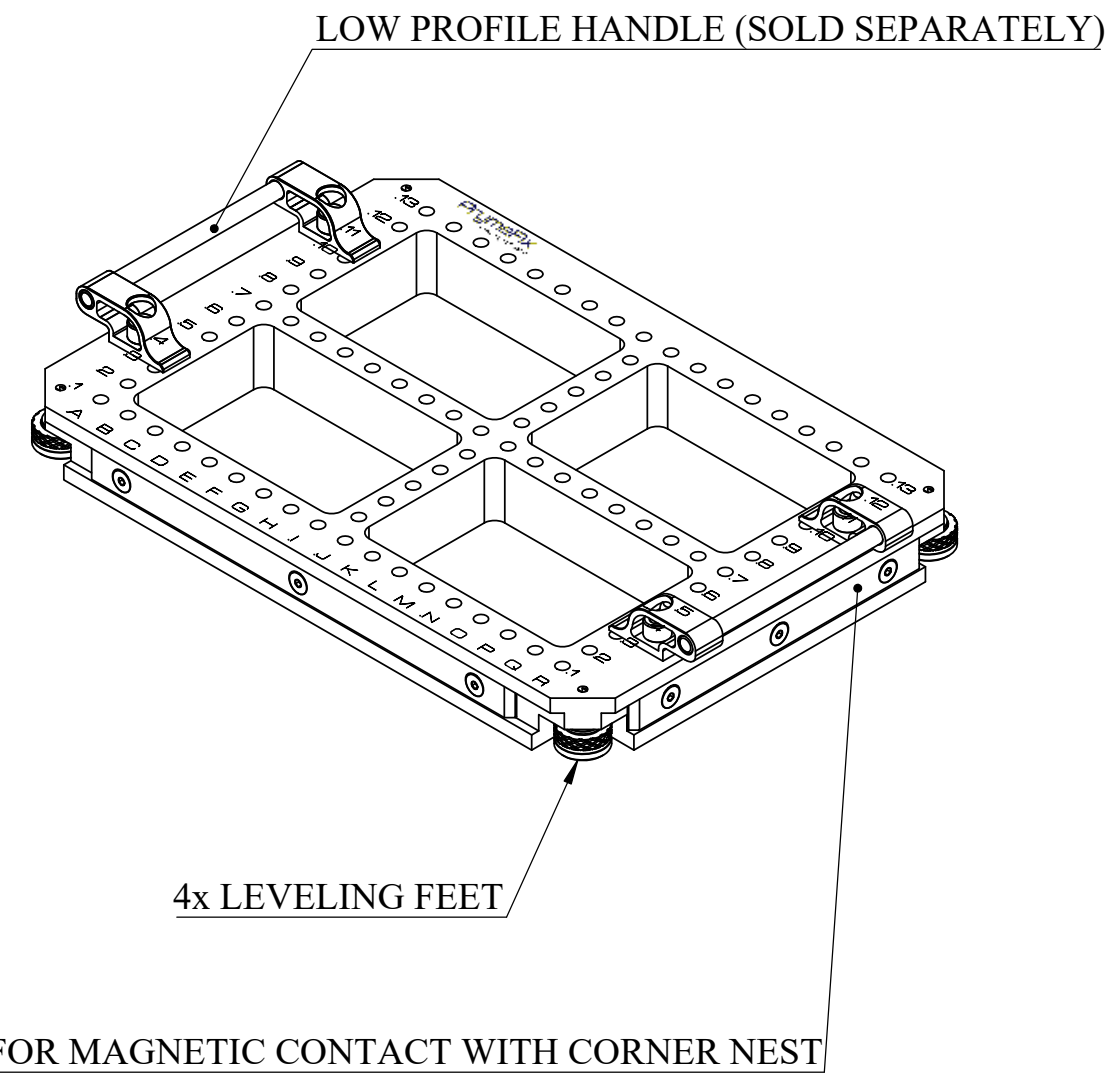
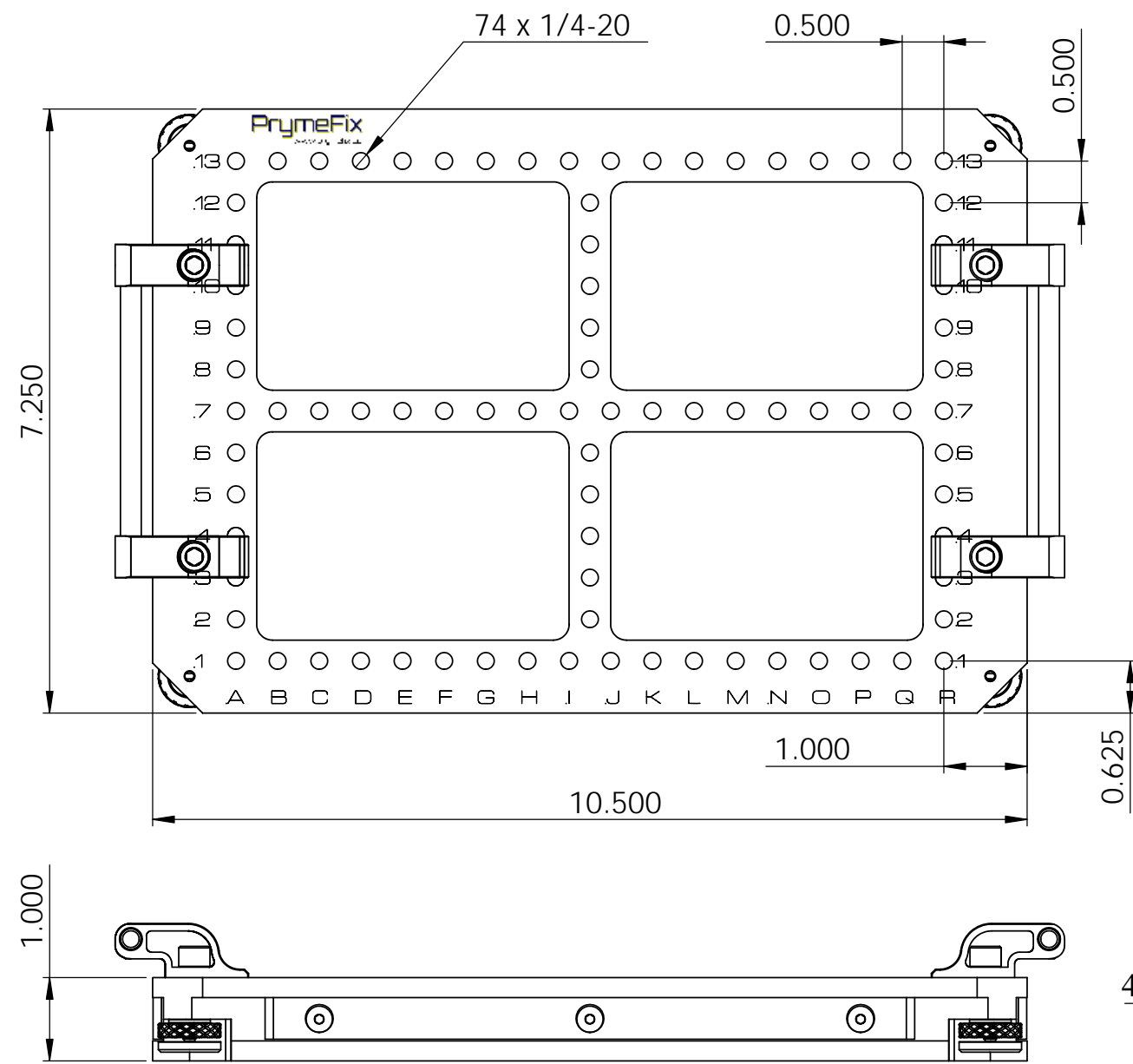
FILE NAME
 I12-PRY-STD-200200
 DIRECTORY
 P:\Manufacturing\PrymeFix Product Line\I11 Inserts\IXX-OGP-SSF-200200\

PROPRIETARY AND CONFIDENTIAL
 THE INFORMATION CONTAINED IN THIS DRAWING IS THE SOLE PROPERTY OF PRYMEFIX. ANY REPRODUCTION IN PART OR AS A WHOLE WITHOUT THE WRITTEN PERMISSION OF PRYMEFIX IS PROHIBITED.

1		UNLESS OTHERWISE SPECIFIED FRACTIONAL $\pm .003$ ANGULAR: ± 1.0 TWO PLACE DECIMAL $\pm .010$ THREE PLACE DECIMAL $\pm .003$ FOUR PLACE DECIMAL $\pm .0005$ (REAM)	DRAWN BY: RD	DATE 7/27/2013
2			TITLE: 200200 INSERT: I13	
3				
4			HEAT TREAT N/A	No Pcs to Complete Order:
5			MATERIAL Acrylic	
6			FINISH CLEAR	
7			REVISION HISTORY	INCH UNITS
			WEIGHT: 2.79	SHEET 9 OF 12

SIZE **B** DWG. NO. IXX-PRY-STD-200200 REV **1**

8	7	6	5	4	3	2	1
No. COMPONENTS IN ASSLY	OP1	OP2	OP3	OP4	OP5	OP6	
1							



PrymeFix
fixturing solutions

155 PRAIRIE LAKE RD, SUITE A
EAST DUNDEE, IL 60118
847.428.7122

FILE NAME
I12-PRY-STD-200150
DIRECTORY
P:\Manufacturing\PrymeFix Product Line\I11 Inserts\IXX-PRY-STD-200150\

PROPRIETARY AND CONFIDENTIAL

THE INFORMATION CONTAINED IN THIS DRAWING IS THE SOLE PROPERTY OF PRYMEFIX. ANY REPRODUCTION IN PART OR AS A WHOLE WITHOUT THE WRITTEN PERMISSION OF PRYMEFIX IS PROHIBITED.

1		UNLESS OTHERWISE SPECIFIED	DRAWN BY: RD	DATE 10/8/2013	
2			TITLE: 200150 INSERT: I13		
3		HEAT TREAT N/A	No Pcs to Complete Order:		
4			MATERIAL Acrylic	SIZE B	DWG. NO. IXX-PRY-STD-200150 PRINTS
5			FINISH Clear	REV 1	
6			SCALE: 1:2	WEIGHT: 2.11	
7				SHEET 7 OF 10	
REVISION HISTORY					