

PrymeFix
 fixturing solutions

155 PRAIRIE LAKE RD, SUITE A
 EAST DUNDEE, IL 60118
 847.428.7122

FILE NAME
 A60-PRY-STD-200150

DIRECTORY
 P:\Manufacturing\PrymeFix Product Line\A60 Calibration Inserts\A60-PRY-STD-200150\

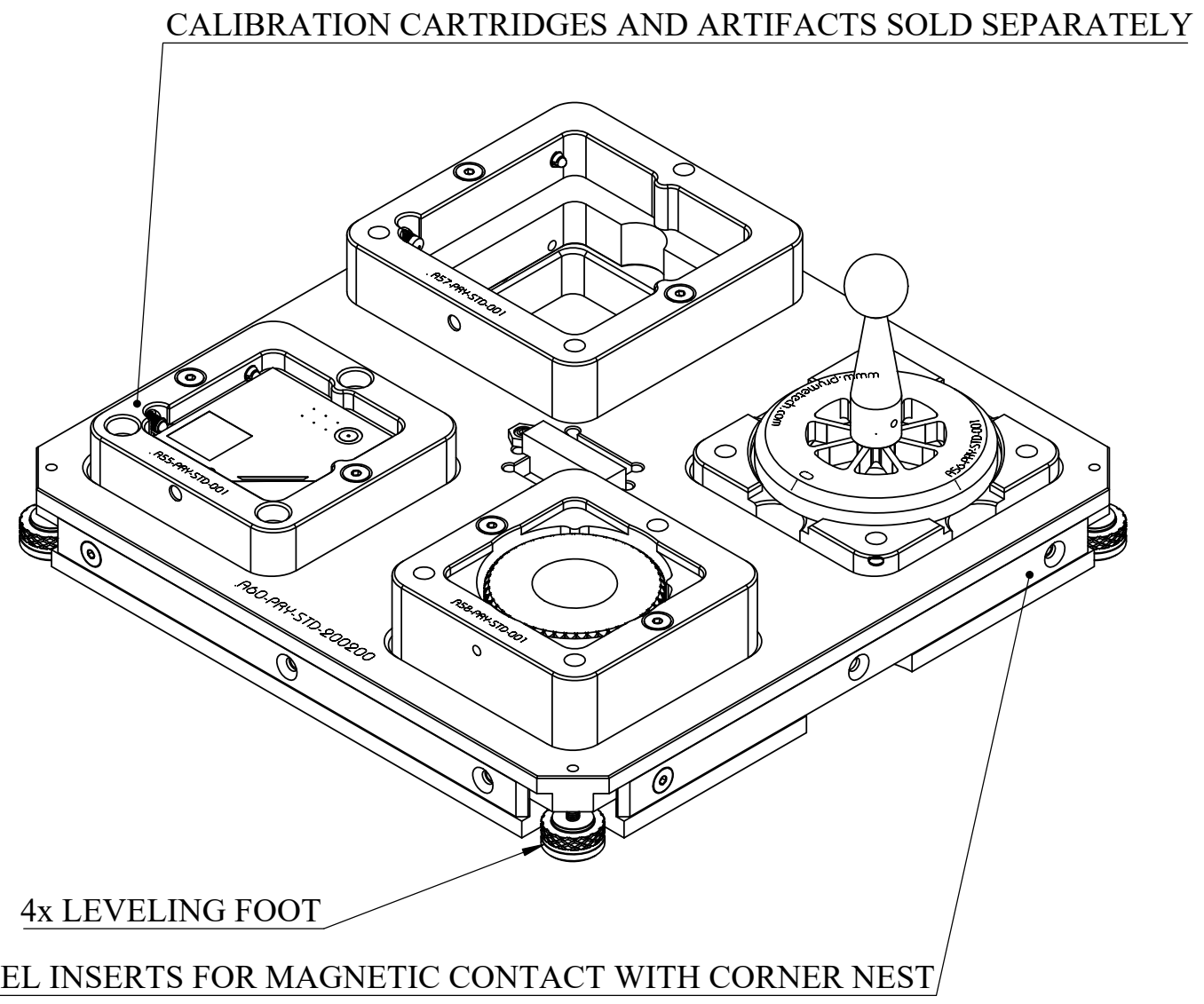
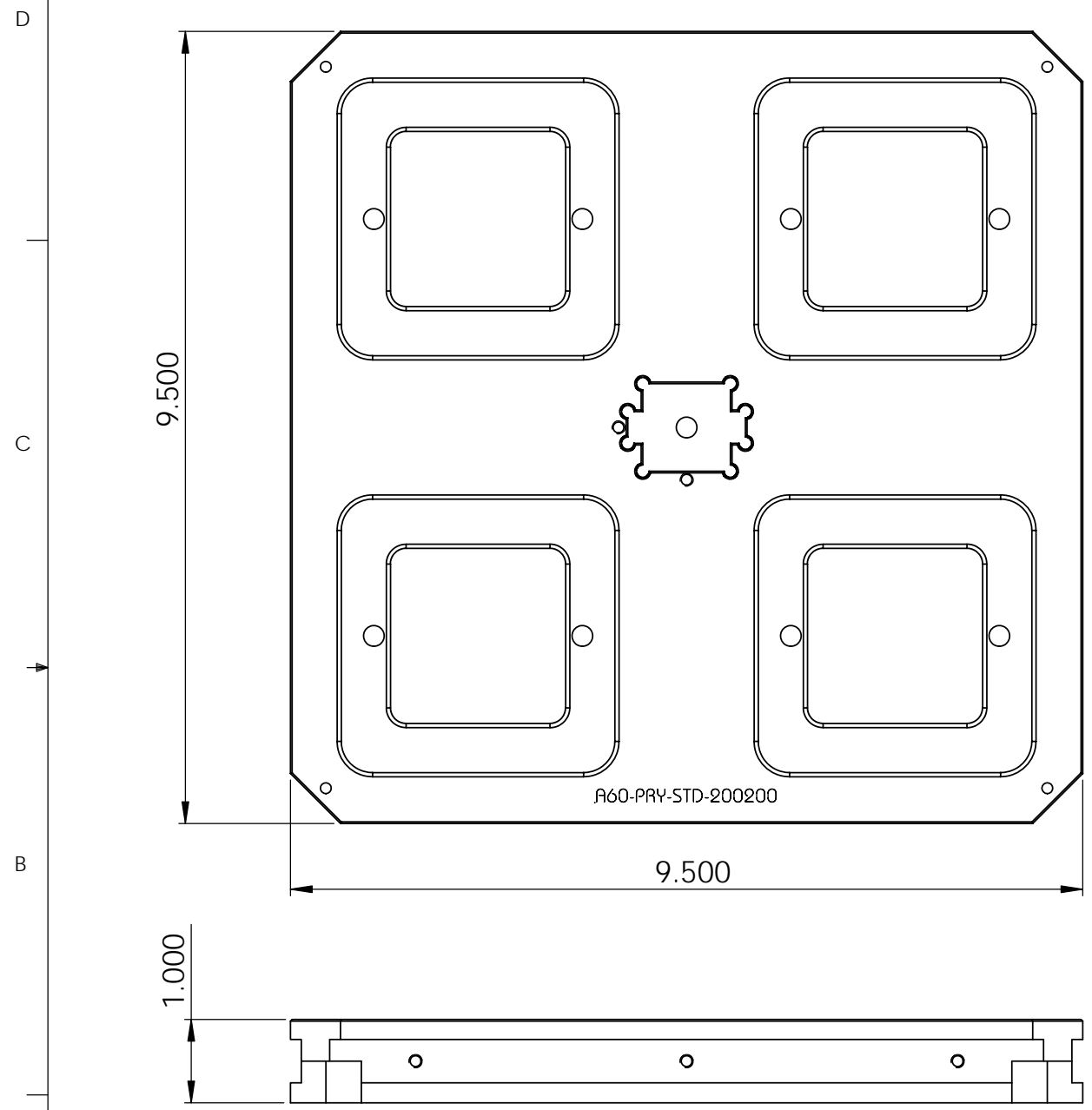
PROPRIETARY AND CONFIDENTIAL

THE INFORMATION CONTAINED IN THIS DRAWING IS THE SOLE PROPERTY OF PRYMEFIX. ANY REPRODUCTION IN PART OR AS A WHOLE WITHOUT THE WRITTEN PERMISSION OF PRYMEFIX IS PROHIBITED.

1		UNLESS OTHERWISE SPECIFIED FRACTIONAL $\pm .003$ ANGULAR: ± 1.0 TWO PLACE DECIMAL $\pm .010$ THREE PLACE DECIMAL $\pm .003$ FOUR PLACE DECIMAL $\pm .0005$ (REAM)	DRAWN BY: AK	DATE 10/8/2013	
2			TITLE: 200150 INSERT: A60 CALIBRATION INSERT		
3					
4			HEAT TREAT N/A	No Pcs to Complete Order:	
5			MATERIAL ACRYLIC		
6			FINISH CLEAR		
7			INCH UNITS	SCALE: 1:2	WEIGHT: 4.42

8	7	6	5	4	3	2	1
No. COMPONENTS IN ASSLY	OP1	OP2	OP3	OP4	OP5	OP6	

1



PrymeFix
fixturing solutions

155 PRAIRIE LAKE RD, SUITE A
EAST DUNDEE, IL 60118
847.428.7122

FILE NAME
A60-PRY-STD-200200

DIRECTORY
P:\Manufacturing\PrymeFix Product Line\A60 Calibration Inserts\A60-PRY-STD-200200\

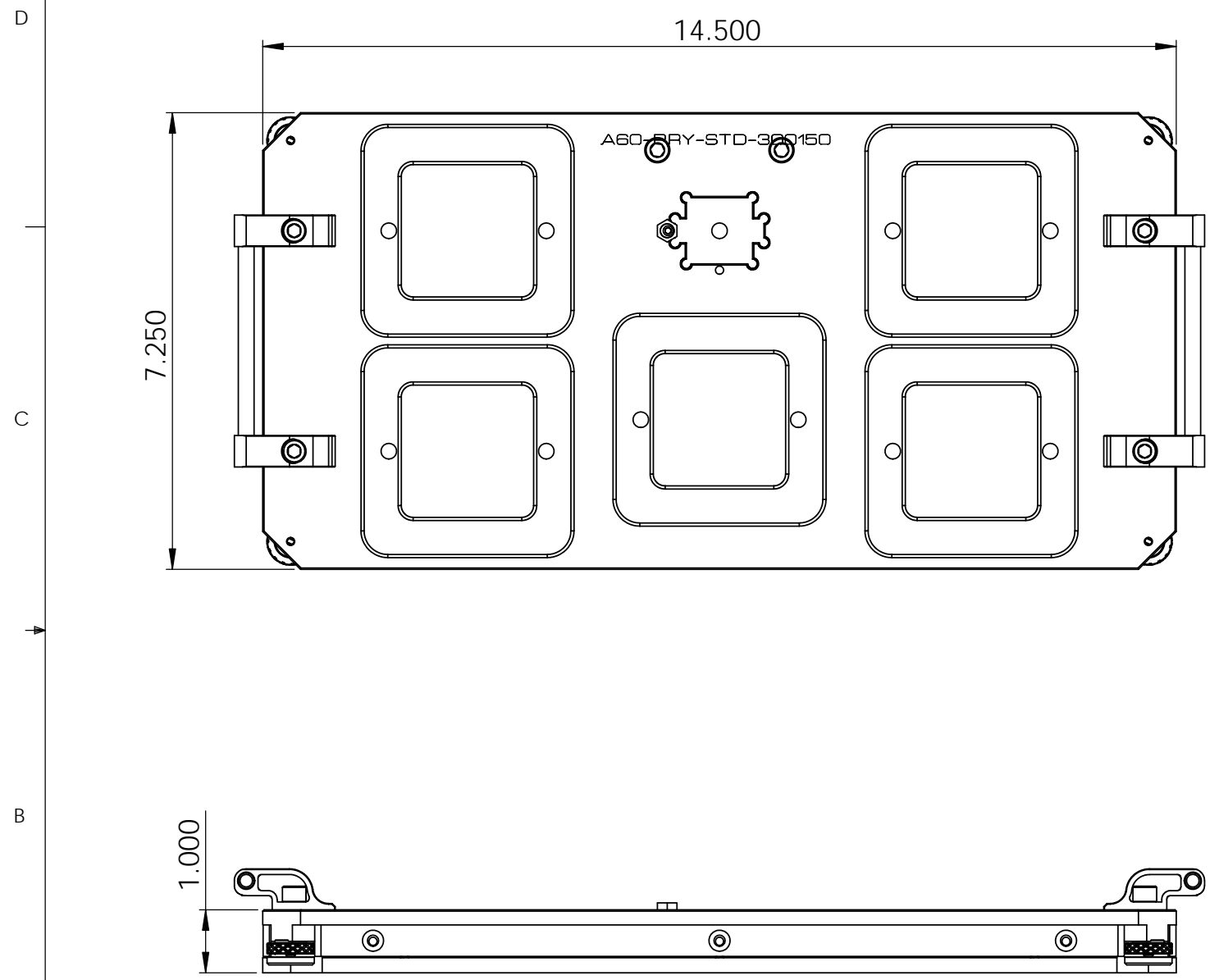
PROPRIETARY AND CONFIDENTIAL

THE INFORMATION CONTAINED IN THIS DRAWING IS THE SOLE PROPERTY OF PRYMEFIX. ANY REPRODUCTION IN PART OR AS A WHOLE WITHOUT THE WRITTEN PERMISSION OF PRYMEFIX IS PROHIBITED.

1		UNLESS OTHERWISE SPECIFIED	DRAWN BY: RD	DATE 7/27/2013	
2			TITLE: 200200 INSERT: A60 CALIBRATION INSERT		
3					
4			FRACTIONAL $\pm .003$ ANGULAR: ± 1.0 TWO PLACE DECIMAL $\pm .010$ THREE PLACE DECIMAL $\pm .003$ FOUR PLACE DECIMAL $\pm .0005$ (REAM)		
5			HEAT TREAT N/A	No Pcs to Complete Order:	
6			MATERIAL Acrylic	SIZE B	DWG. NO. A60-PRY-STD-200200 PRINTS
7			FINISH CLEAR	REV 0	
REVISION HISTORY		INCH UNITS	SCALE: 1:2	WEIGHT: 6.22	
			SHEET 13 OF 13		

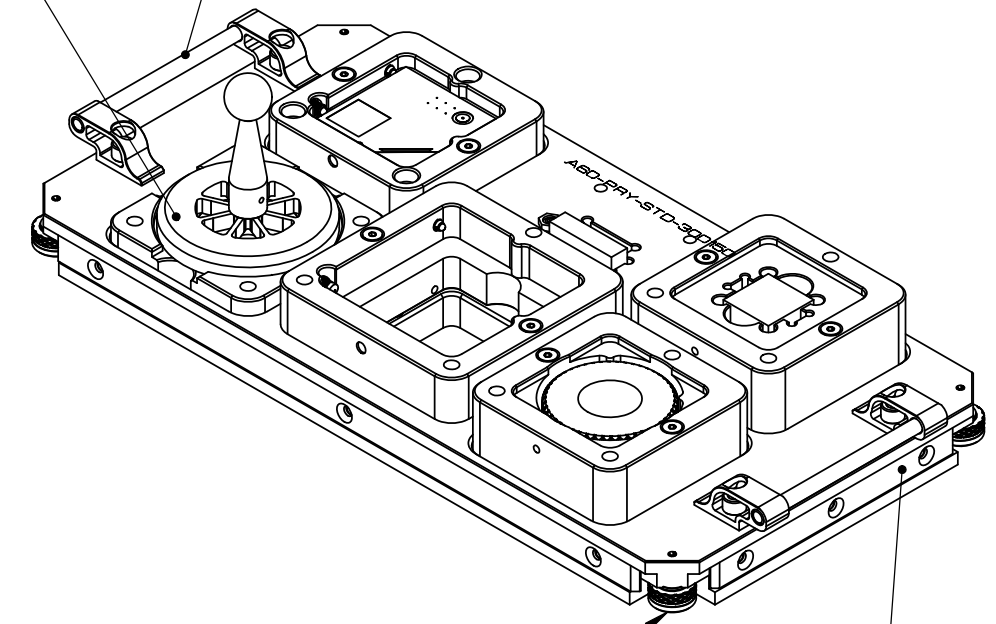
8	7	6	5	4	3	2	1
---	---	---	---	---	---	---	---

No. COMPONENTS IN ASSLY	OP1	OP2	OP3	OP4	OP5	OP6	1
1							



CALIBRATION CARTRIDGES AND ARTIFACTS SOLD SEPARATELY

LOW PROFILE HANDLE (SOLD SEPARATELY)



4x LEVELING FOOT

4x STEEL INSERTS FOR MAGNETIC CONTACT WITH CORNER NEST

PrymeFix
fixturing solutions

155 PRAIRIE LAKE RD, SUITE A
EAST DUNDEE, IL 60118
847.428.7122

FILE NAME
A60-PRY-STD-300150
DIRECTORY
P:\Manufacturing\PrymeFix Product Line\A60 Calibration Inserts\A60-PRY-STD-300150\

PROPRIETARY AND CONFIDENTIAL

THE INFORMATION CONTAINED IN THIS DRAWING IS THE SOLE PROPERTY OF PRYMEFIX. ANY REPRODUCTION IN PART OR AS A WHOLE WITHOUT THE WRITTEN PERMISSION OF PRYMEFIX IS PROHIBITED.

1		UNLESS OTHERWISE SPECIFIED	DRAWN BY: AK	DATE 7/29/2013
2			TITLE: 300150 INSERT: A60 CALIBRATION INSERT	
3		FRACTIONAL: ± .003 ANGULAR: ± 1.0 TWO PLACE DECIMAL: ± .010 THREE PLACE DECIMAL: ± .003 FOUR PLACE DECIMAL: ± .0005 (REAM)	SIZE: B	
4			DWG. NO. A60-PRY-STD-300150	
5		HEAT TREAT: N/A	No Pcs to Complete Order:	REV 0
6		MATERIAL: Acrylic	SCALE: 1:3	
7		FINISH: CLEAR	WEIGHT: 4.96	SHEET 6 OF 6
REVISION HISTORY		INCH UNITS		