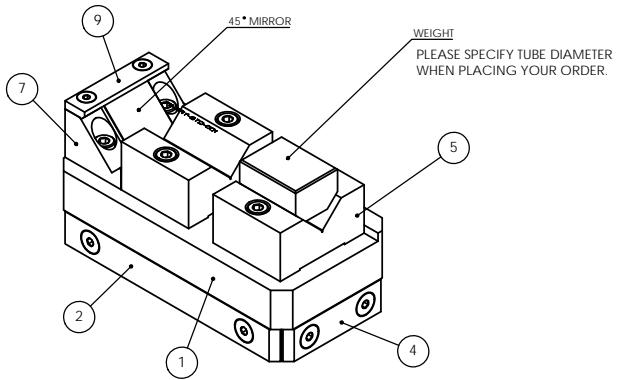
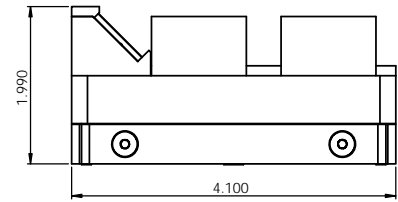
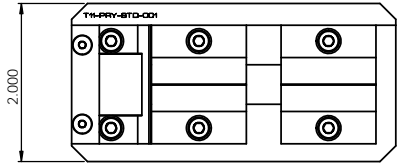


1

DATE ORDERED	ORDERED FROM	ITEM NO.	PART NUMBER	DESCRIPTION	QTY.
		1	T11-PRY-STD-002 TUBE FIXTURE BASE	UNIVERSAL TUBE FIXTURE BASE	1
		2	T11-PRY-STD-004 STEEL INSERT LONG	TUBING FIXTURE STEEL INSERT- LONG	2
		3	92125A188	SS FLAT HEAD SCREW M4 x 8mm 92125A188	8
		4	13-1219-11 STEEL INSERT SHORT	TUBING FIXTURE STEEL INSERT- SHORT	2
		5	13-1219-11 TUBE SUPPORT	TUBE SUPPORT BLOCK ASSLY	2
		6	13-1219-11 MIRROR SUPPORT	45 DEG MIRROR CARRIAGE	1
		7	T11-PRY-STD-003 WEIGHT	UNIVERSAL WEIGHT	1



PrymeFix
 fixturing solutions

155 PRAIRIE LAKE RD, SUITE A
 EAST DUNDEE, IL 60118
 847.428.7122

FILE NAME
 T11-PRY-STD-001 TUBE FIXTURE
 DIRECTORY
 P:\Manufacturing\PrymeFix Product Line\T11 Tube Fixture\T11-PRY-STD-001\

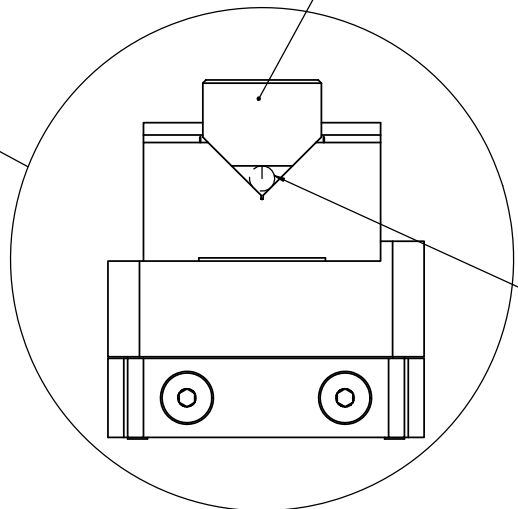
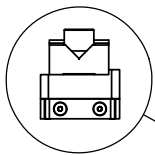
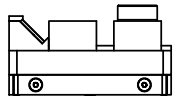
PROPRIETARY AND CONFIDENTIAL

THE INFORMATION CONTAINED IN THIS DRAWING IS THE SOLE PROPERTY OF PRIMEFIX. ANY REPRODUCTION IN PART OR AS A WHOLE WITHOUT THE WRITTEN PERMISSION OF PRIMEFIX IS PROHIBITED.

1	CHANGED TO 45-728 MIRROR	UNLESS OTHERWISE SPECIFIED FRACTIONAL: 1/32 ANGULAR: 1/10 TWO PLACE DECIMAL: 0.01 THREE PLACE DECIMAL: 0.001 FOUR PLACE DECIMAL: 0.0005 (REAM)	DRAWN BY: RD	DATE: 2/4/2014	
2			TITLE: EXTENDED TUBE FIXTURE		
3			SIZE: B	DWG. NO: T11-PRY-STD-001 TUBE FIXTURE PRINTS	REV: 1
4			SCALE: 2:1 WEIGHT: 1.21 SHEET 8 OF 9		
5			HEAT TREAT: N/A	No Pcs to Complete Order:	
6			MATERIAL: 6061 Alloy		
7			FINISH: BLACK ANODIZED		
REVISION HISTORY		INCH UNITS			

8	7	6	5	4	3	2	1
No. COMPONENTS IN ASSLY	OP1	OP2	OP3	OP4	OP5	OP6	

1



WEIGHT IS PLACED ON TOP OF TUBE. PLEASE SPECIFY TUBE DIAMETER WHEN PLACING YOUR ORDER.

TUBE DIAMETER

PrymeFix
fixturing solutions

155 PRAIRIE LAKE RD, SUITE A
EAST DUNDEE, IL 60118
847.428.7122

FILE NAME
T11-PRY-STD-001 TUBE FIXTURE
DIRECTORY
P:\Manufacturing\PrymeFix Product Line\T11 Tube Fixture\T11-PRY-STD-001\

PROPRIETARY AND CONFIDENTIAL

THE INFORMATION CONTAINED IN THIS DRAWING IS THE SOLE PROPERTY OF PRYMETECH. ANY REPRODUCTION IN PART OR AS A WHOLE WITHOUT THE WRITTEN PERMISSION OF PRYMETECH IS PROHIBITED.

1	CHANGED TO 45-728 MIRROR	UNLESS OTHERWISE SPECIFIED FRACTIONAL: # 003 ANGULAR: # 1 D TWO PLACE DECIMAL: # 010 THREE PLACE DECIMAL: # 003 FOUR PLACE DECIMAL: # 0005 (REAM)	DRAWN BY: RD	DATE: 2/4/2014		
2			TITLE: EXTENDED TUBE FIXTURE			
3						
4			HEAT TREAT: N/A	No Pcs to Complete Order:		
5			MATERIAL: <not specified>			
6			FINISH: N/A			
7			REVISION HISTORY	INCH UNITS	SCALE: 1:1	WEIGHT: 1.21

SIZE **B** DWG. NO. T11-PRY-STD-001 TUBE FIXTURE PRINTS REV **1**