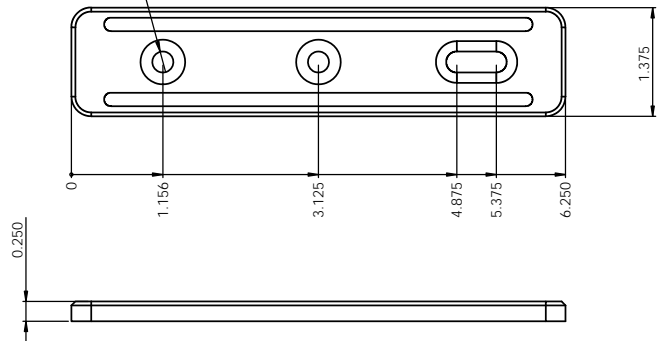


8	7	6	5	4	3	2	1
No. COMPONENTS IN ASSLY	OP1	OP2	OP3	OP4	OP5	OP6	
1							

M6 MOUNTING HOLES



PrymeFix
fixturing solutions

155 PRAIRIE LAKE RD, SUITE A
EAST DUNDEE, IL 60118
847.428.7122

FILE NAME
K11-OGP-SSF-004
DIRECTORY
P:\Manufacturing\PrymeFix Product Line\K11 Kinematic Dock Mount\K11-PRY-STD-001\

PROPRIETARY AND CONFIDENTIAL

THE INFORMATION CONTAINED IN THIS DRAWING IS THE SOLE PROPERTY OF PRYMEFIX. ANY REPRODUCTION IN PART OR AS A WHOLE WITHOUT THE WRITTEN PERMISSION OF PRYMEFIX IS PROHIBITED.

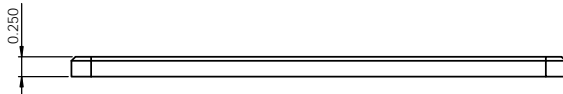
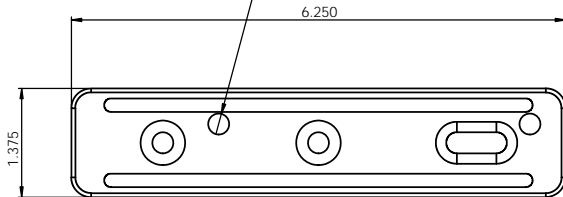
1		UNLESS OTHERWISE SPECIFIED FRACTIONAL: $\frac{1}{32}$ ANGULAR: $\frac{1}{16}$ TWO PLACE DECIMAL: $\frac{1}{16}$ THREE PLACE DECIMAL: $\frac{1}{32}$ FOUR PLACE DECIMAL: $\frac{1}{64}$ (REAM)
2		
3		
4		
5	HEAT TREAT: N/A	
6	MATERIAL: 6061 Alloy	
7	FINISH: HARD COAT	
REVISION HISTORY		No Pcs to Complete Order:

DRAWN BY: RD	DATE: 7/16/2013
TITLE: K11-PRY-STD-001 KMD SLIDE BAR	
SIZE: B	DWG. NO. K11-PRY-STD-001
SCALE: 1:1	WEIGHT: 0
SHEET 15 OF 17	

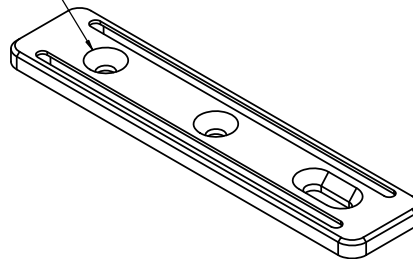
8	7	6	5	4	3	2	1
No. COMPONENTS IN ASSLY	OP1	OP2	OP3	OP4	OP5	OP6	

1

2 x \varnothing 0.266 ∇ 0.590
 (450 STAGE MOUNTING HOLES)



M6 HOLES AND SLOTS FOR MOUNTING



PrymeFix
 fixturing solutions

155 PRAIRIE LAKE RD, SUITE A
 EAST DUNDEE, IL 60118
 847.428.7122

FILE NAME
 K11-OGP-SF-004
 DIRECTORY
 P:\Manufacturing\PrymeFix Product Line\K11 Kinematic Dock Mount\K11-PRY-STD-001\

PROPRIETARY AND CONFIDENTIAL

THE INFORMATION CONTAINED IN THIS DRAWING IS THE SOLE PROPERTY OF PRIMEFIX. ANY REPRODUCTION IN PART OR AS A WHOLE WITHOUT THE WRITTEN PERMISSION OF PRIMEFIX IS PROHIBITED.

1		UNLESS OTHERWISE SPECIFIED FRACTIONAL: \bullet 003 ANGULAR: \bullet 1/2 TWO PLACE DECIMAL: \bullet 010 THREE PLACE DECIMAL: \bullet 003 FOUR PLACE DECIMAL: \bullet 0005 (REAM)	DRAWN BY: RD	DATE: 7/16/2013	
2			TITLE: K11-PRY-STD-004 UNIVERSAL BASE		
3			HEAT TREAT: N/A	No Pcs to Complete Order:	
4			MATERIAL: 6061 Alloy	SIZE: B	DWG. NO: K11-PRY-STD-001
5			FINISH: HARD COAT	REV: 0	
6			REVISION HISTORY	INCH UNITS	SCALE: 1:1
7				WEIGHT:	SHEET 16 OF 17