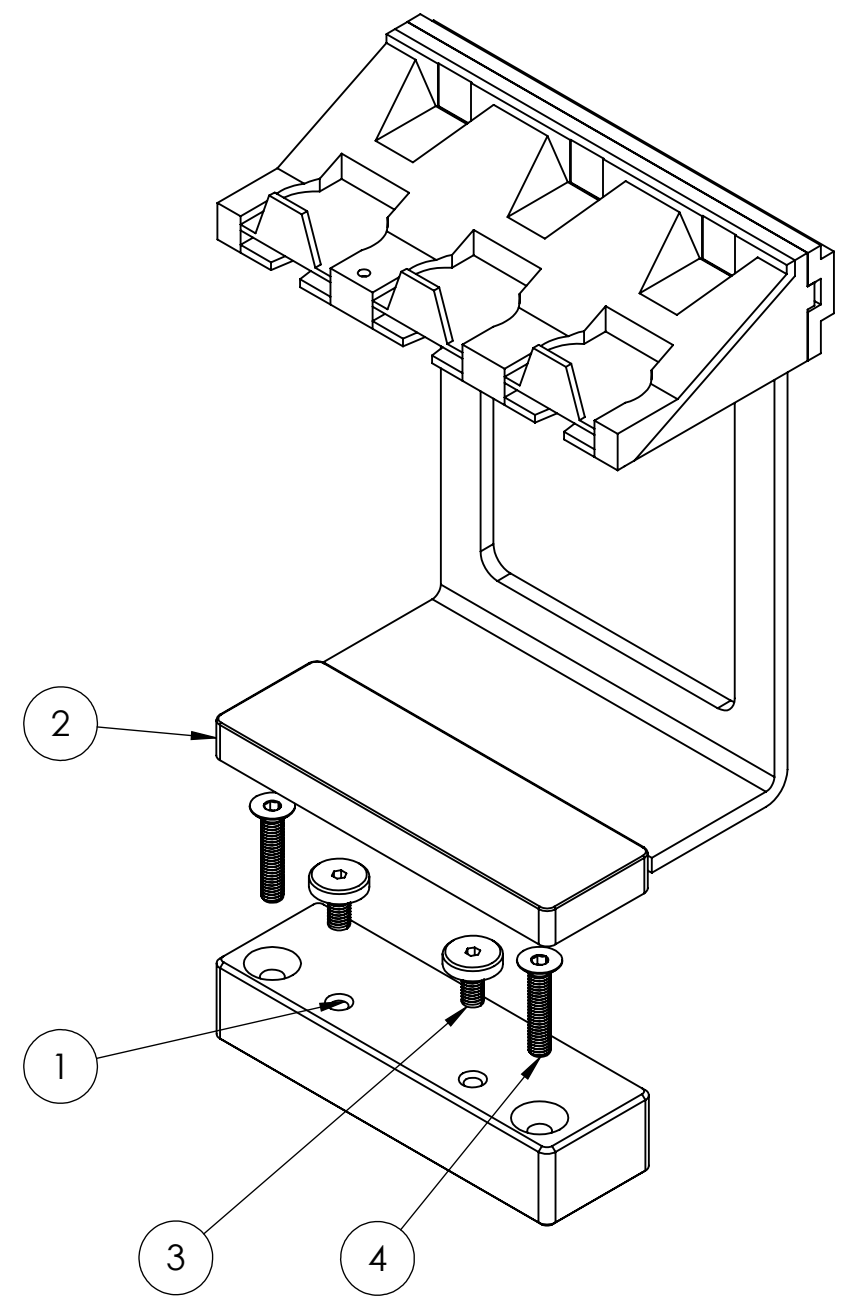


8	7	6	5	4	3	2	1
No. COMPONENTS IN ASSLY	OP1	OP2	OP3	OP4	OP5	OP6	

1



DATE ORDERED	ORDERED FROM	ITEM NO.	PART NUMBER	DESCRIPTION	1" RISER ASM/QTY.	2.5" RISER ASM/QT Y.
		1	K12-ZSS-XXT-XXXX	K12-ZSS-XXT-1000 1.000" RISER	1	-
		2	MSR O-INSPECT XXT 3fold	ZEISS DOCKING STATION	1	1
		3	MSR M6 MOUNTING STANDOFF	M6 STANDOFF	2	2
		4	92125A244	FLAT SOCKET HEAD SCREW M6x30mm	2	-
		5	92125A258	FLAT SOCKET HEAD SCREW M6x70mm	-	2
		6	K12-ZSS-XXT-XXXX	K12-ZSS-XXT-2500 2.500" RISER	-	1

D
C
B
A

D
C
B
A



155 PRAIRIE LAKE RD, SUITE A
EAST DUNDEE, IL 60118
847.428.7122

FILE NAME
K12-ZSS-XXT-XXXX MSR RISER ASM
DIRECTORY
P:\Manufacturing\PrymeFix Product Line\K11 Kinematic Dock Mount\K12-ZSS-XXT-001\

3D PRINTER PROPERTIES	
Material 1: <input type="checkbox"/> Support	Material 2: <input type="checkbox"/> Support
Core 1:	Core 2:

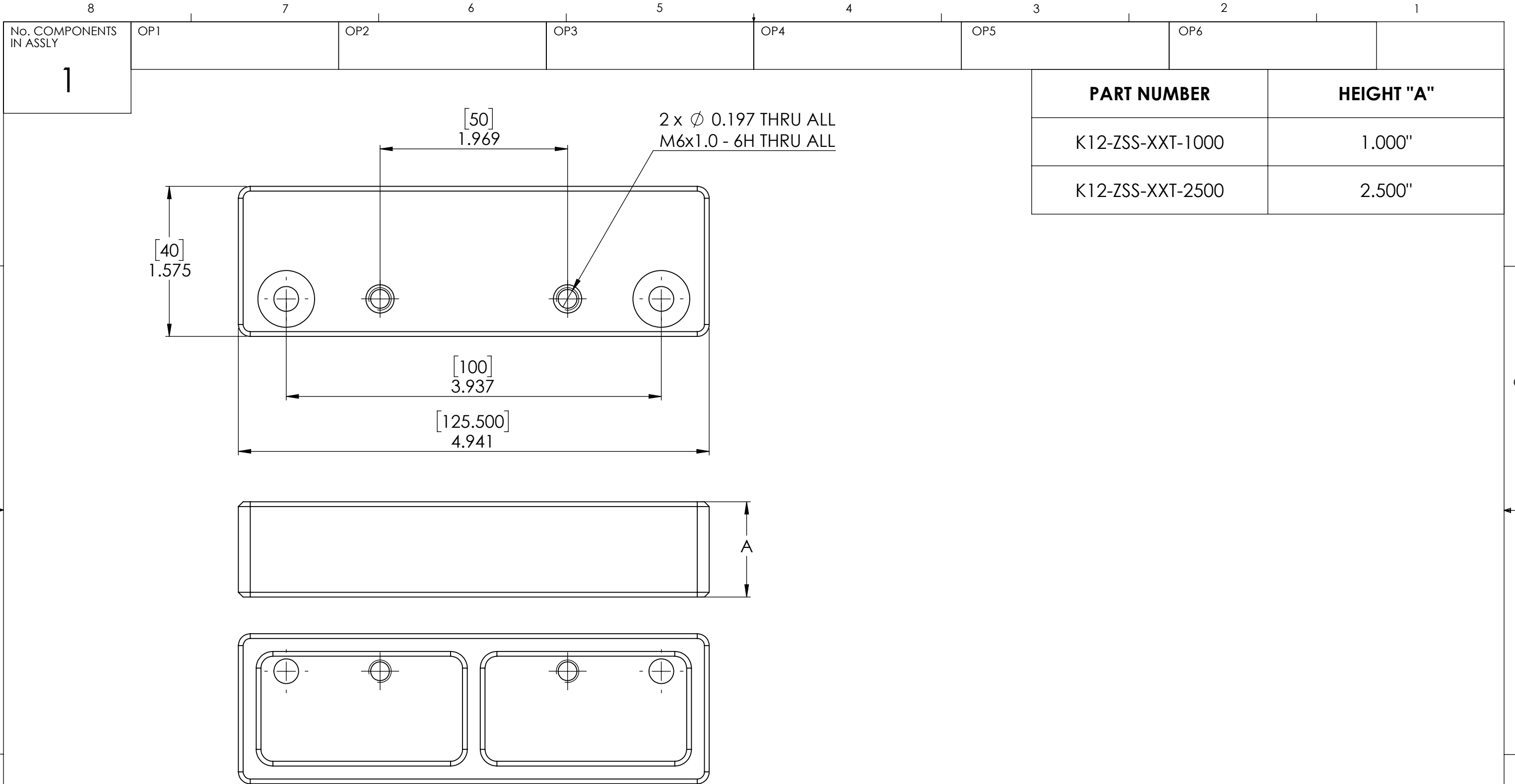
PROPRIETARY AND CONFIDENTIAL

THE INFORMATION CONTAINED IN THIS DRAWING IS THE SOLE PROPERTY OF PRYMEFIX. ANY REPRODUCTION IN PART OR AS A WHOLE WITHOUT THE WRITTEN PERMISSION OF PRYMEFIX IS PROHIBITED.

1	
2	
3	
4	
5	
6	
7	
REVISION HISTORY	

UNLESS OTHERWISE SPECIFIED	
FRACTIONAL ± .003 ANGULAR: ± 1.0 TWO PLACE DECIMAL ± .010 THREE PLACE DECIMAL ± .003 FOUR PLACE DECIMAL ± .0005 (REAM)	
HEAT TREAT N/A	No Pcs to Complete Order:
MATERIAL Material <not specified>	
FINISH N/A	
MACHINING PROPERTIES	

DRAWN BY: AK	DATE: 6/10/2020
TITLE: 1.000" MSR RISER ASM	
SIZE B	DWG. NO. K12-ZSS-XXT-XXXX PRINTS
REV 0	
SCALE: 1:2	WEIGHT:
SHEET 1 OF 4	



PART NUMBER	HEIGHT "A"
K12-ZSS-XXT-1000	1.000"
K12-ZSS-XXT-2500	2.500"



155 PRAIRIE LAKE RD, SUITE A
EAST DUNDEE, IL 60118
847.428.7122

FILE NAME K12-ZSS-XXT-XXXX
DIRECTORY P:\Manufacturing\PrymeFix Product Line\K11 Kinematic Dock Mount\K12-ZSS-XXT-001\

3D PRINTER PROPERTIES	
Material 1: <input type="checkbox"/> Support TOUGH PLA	Material 2: <input type="checkbox"/> Support N/A
Core 1: AA	Core 2: N/A

PROPRIETARY AND CONFIDENTIAL

THE INFORMATION CONTAINED IN THIS DRAWING IS THE SOLE PROPERTY OF PRYMEFIX. ANY REPRODUCTION IN PART OR AS A WHOLE WITHOUT THE WRITTEN PERMISSION OF PRYMEFIX IS PROHIBITED.

1	
2	
3	
4	
5	
6	
7	

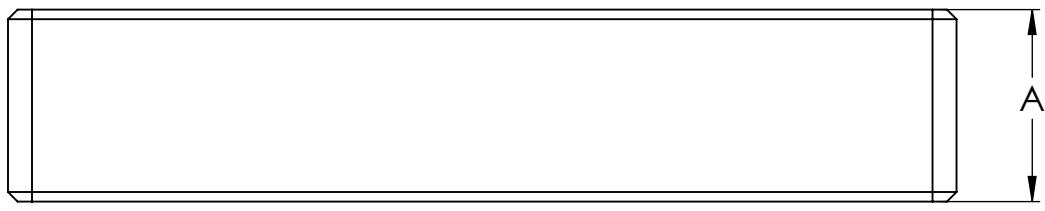
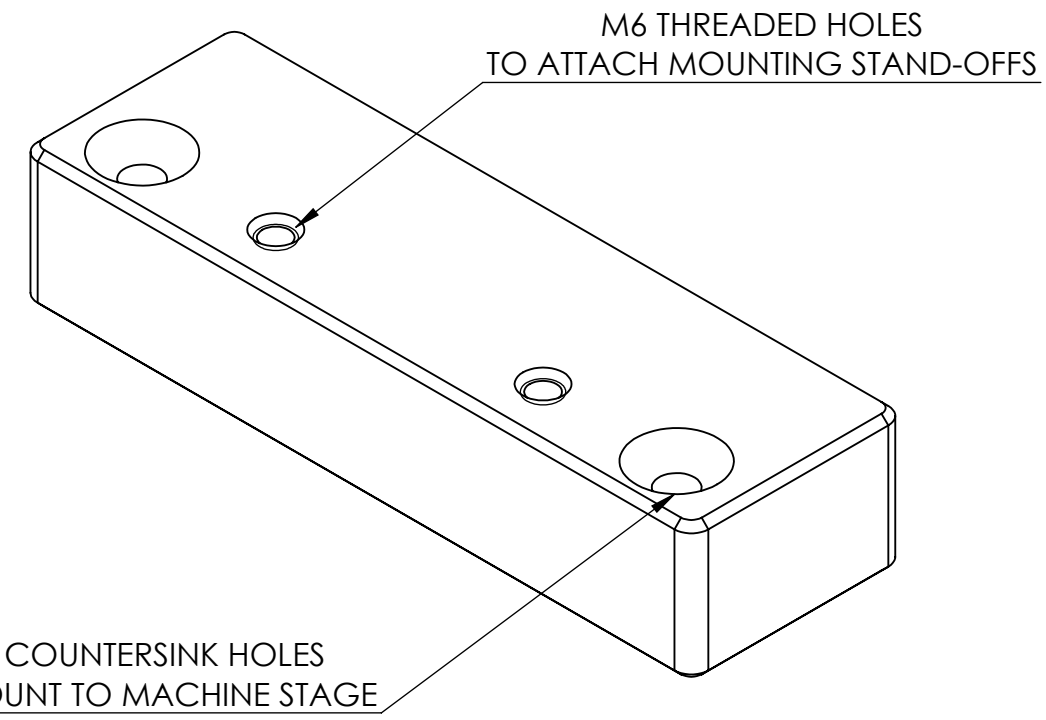
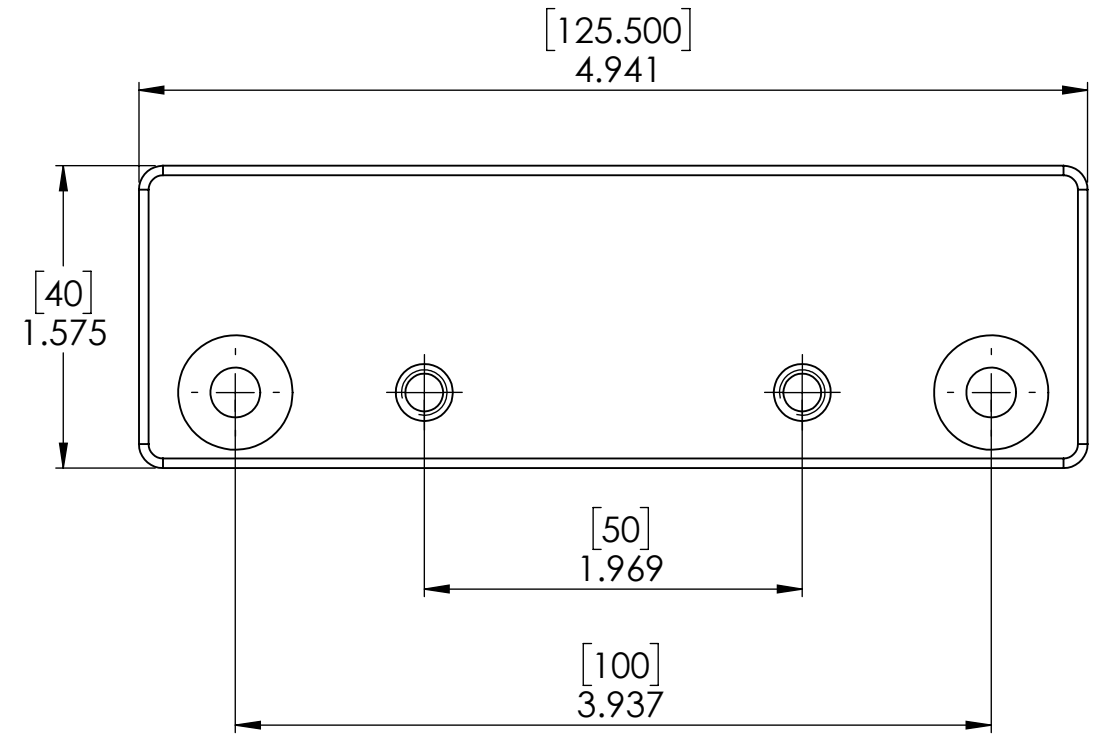
UNLESS OTHERWISE SPECIFIED	
FRACTIONAL ± .003 ANGULAR: ± 1.0 TWO PLACE DECIMAL ± .010 THREE PLACE DECIMAL ± .003 FOUR PLACE DECIMAL ± .0005 (REAM)	
HEAT TREAT N/A	No Pcs to Complete Order:
MATERIAL Material <not specified>	
FINISH BLACK	

DRAWN BY: AK	DATE: 6/10/2020
TITLE: K12-ZSS-XXT-XXXX MSR RISER	
SIZE B	DWG. NO. K12-ZSS-XXT-XXXX PRINTS
	REV 0
SCALE: 1:1	WEIGHT:
SHEET 2 OF 4	

8	7	6	5	4	3	2	1
No. COMPONENTS IN ASSLY	OP1	OP2	OP3	OP4	OP5	OP6	

1

PART NUMBER	HEIGHT "A"
K12-ZSS-XXT-1000	1.000"
K12-ZSS-XXT-2500	2.500"



155 PRAIRIE LAKE RD, SUITE A
EAST DUNDEE, IL 60118
847.428.7122

FILE NAME K12-ZSS-XXT-XXXX	3D PRINTER PROPERTIES	PROPRIETARY AND CONFIDENTIAL THE INFORMATION CONTAINED IN THIS DRAWING IS THE SOLE PROPERTY OF PRYMETECH. ANY REPRODUCTION IN PART OR AS A WHOLE WITHOUT THE WRITTEN PERMISSION OF PRYMETECH IS PROHIBITED.
DIRECTORY P:\Manufacturing\PrymeFix Product Line\K11 Kinematic Dock Mount\K12-ZSS-XXT-001\	Material 1: <input type="checkbox"/> Support TOUGH PLA Material 2: <input type="checkbox"/> Support N/A Core 1: AA Core 2: N/A	

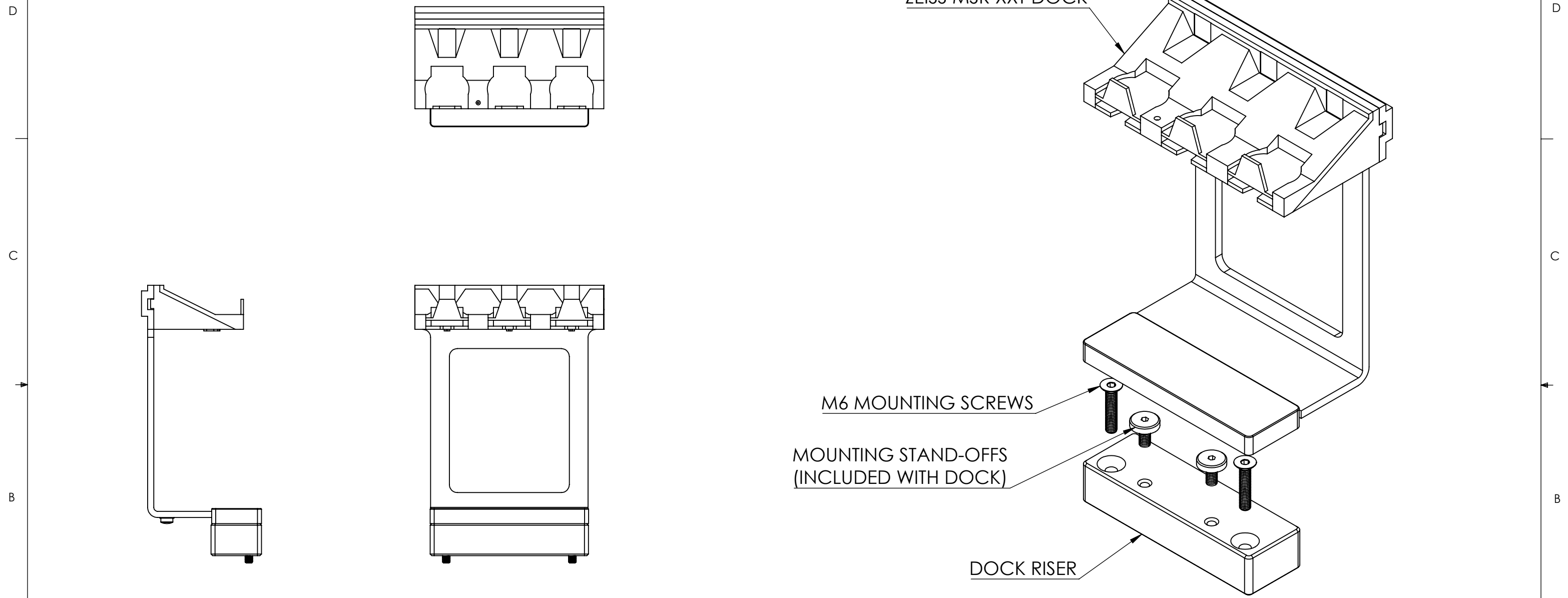
1	
2	
3	
4	
5	
6	
7	

UNLESS OTHERWISE SPECIFIED	
FRACTIONAL ± .003 ANGULAR: ± 1.0 TWO PLACE DECIMAL ± .010 THREE PLACE DECIMAL ± .003 FOUR PLACE DECIMAL ± .0005 (REAM)	
HEAT TREAT N/A	No Pcs to Complete Order:
MATERIAL Material <not specified>	
FINISH BLACK	

DRAWN BY: AK	DATE: 6/10/2020
TITLE: K12-ZSS-XXT-XXXX MSR RISER	
SIZE B	DWG. NO. K12-ZSS-XXT-XXXX PRINTS
SCALE: 1:1	WEIGHT: 0
SHEET 3 OF 4	

8	7	6	5	4	3	2	1
No. COMPONENTS IN ASSLY	OP1	OP2	OP3	OP4	OP5	OP6	

1



155 PRAIRIE LAKE RD, SUITE A
EAST DUNDEE, IL 60118
847.428.7122

FILE NAME K12-ZSS-XXT-XXXX MSR RISER ASM	DIRECTORY P:\Manufacturing\PrymeFix Product Line\K11 Kinematic Dock Mount\K12-ZSS-XXT-001\
---	---

3D PRINTER PROPERTIES	
Material 1: <input type="checkbox"/> Support	Material 2: <input type="checkbox"/> Support
Core 1:	Core 2:

PROPRIETARY AND CONFIDENTIAL

THE INFORMATION CONTAINED IN THIS DRAWING IS THE SOLE PROPERTY OF PRYMEFIX. ANY REPRODUCTION IN PART OR AS A WHOLE WITHOUT THE WRITTEN PERMISSION OF PRYMEFIX IS PROHIBITED.

1	
2	
3	
4	
5	
6	
7	

UNLESS OTHERWISE SPECIFIED	
FRACTIONAL ± .003 ANGULAR: ± 1.0 TWO PLACE DECIMAL ± .010 THREE PLACE DECIMAL ± .003 FOUR PLACE DECIMAL ± .0005 (REAM)	
HEAT TREAT N/A	No Pcs to Complete Order:
MATERIAL Material <not specified>	
FINISH N/A	

DRAWN BY: AK	DATE: 6/10/2020
TITLE: 1.000" MSR RISER ASM	
SIZE B	DWG. NO. K12-ZSS-XXT-XXXX PRINTS
	REV 0
SCALE: 1:3	WEIGHT:
SHEET 4 OF 4	

8	7	6	5	4	3	2	1
---	---	---	---	---	---	---	---