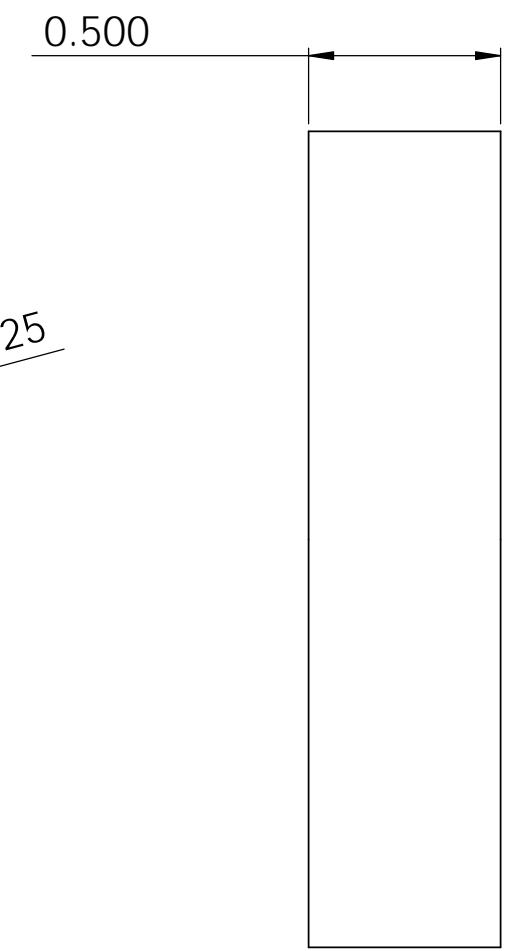
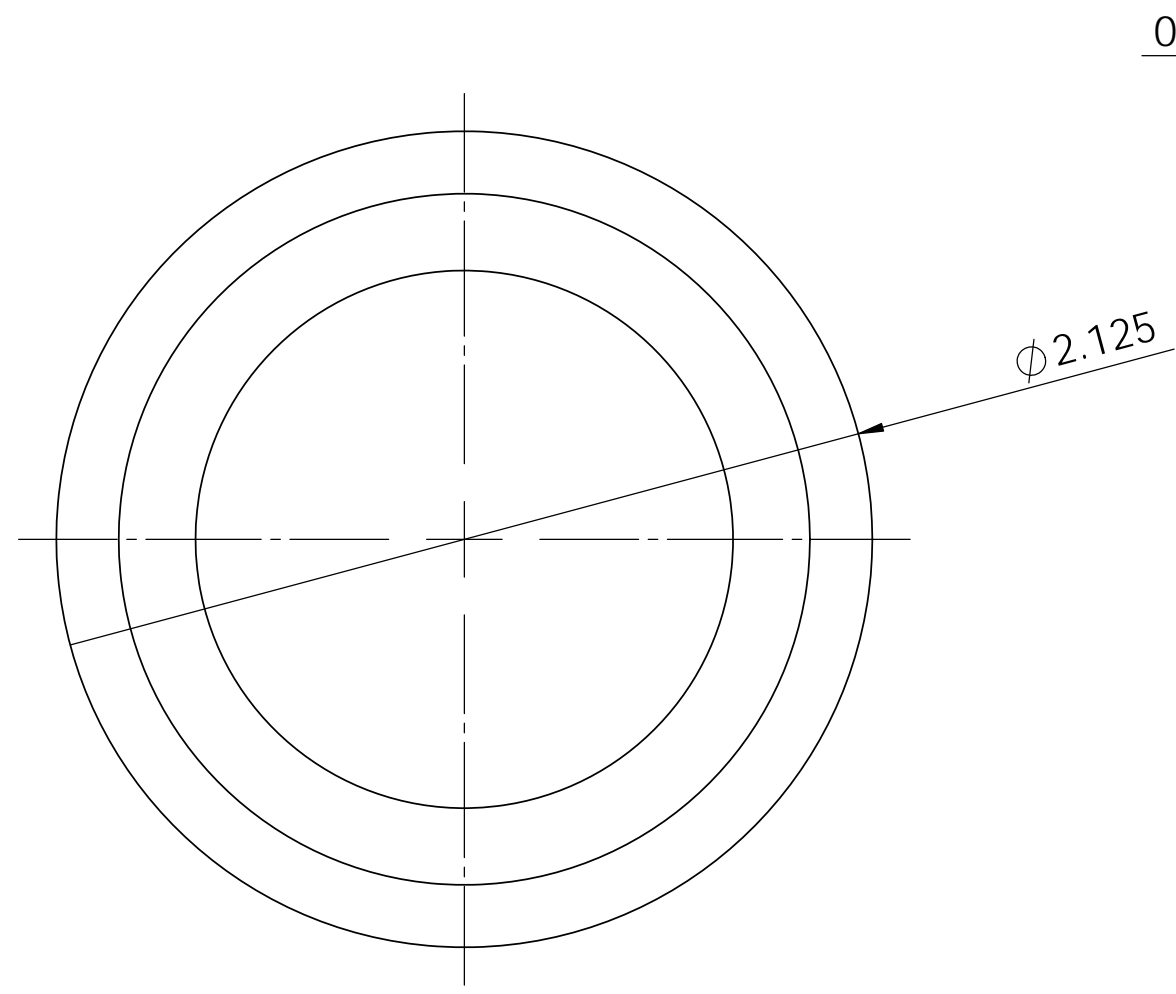


No. COMPONENTS IN ASSLY	OP1	OP2	OP3	OP4	OP5	OP6	1
1							



PrymeFix
fixturing solutions

155 PRAIRIE LAKE RD, SUITE A
EAST DUNDEE, IL 60118
847.428.7122

FILE NAME
A58-PRY-STD-002

DIRECTORY
P:\Manufacturing\PrymeFix Product Line\A60 Calibration Inserts\A58-PRY-STD-001 RING GAGE\

PROPRIETARY AND CONFIDENTIAL

THE INFORMATION CONTAINED IN THIS DRAWING IS THE SOLE PROPERTY OF PRYMEFIX. ANY REPRODUCTION IN PART OR AS A WHOLE WITHOUT THE WRITTEN PERMISSION OF PRYMEFIX IS PROHIBITED.

1		UNLESS OTHERWISE SPECIFIED	DRAWN BY:	RD	DATE	9/14/2018
2		FRACTIONAL $\pm .003$ ANGULAR: ± 1.0 TWO PLACE DECIMAL $\pm .010$ THREE PLACE DECIMAL $\pm .003$ FOUR PLACE DECIMAL $\pm .0005$ (REAM)	TITLE: ZEISS RING GAGE SLEEVE			
3						
4						
5		HEAT TREAT N/A	No Pcs to Complete Order:			
6		MATERIAL Alloy Steel				
7		FINISH POLISHED	SIZE B DWG. NO. A58-PRY-STD-002 Technical Drawing			
REVISION HISTORY			INCH UNITS		SCALE: 2:1	WEIGHT:
						REV 0
						SHEET 1 OF 1