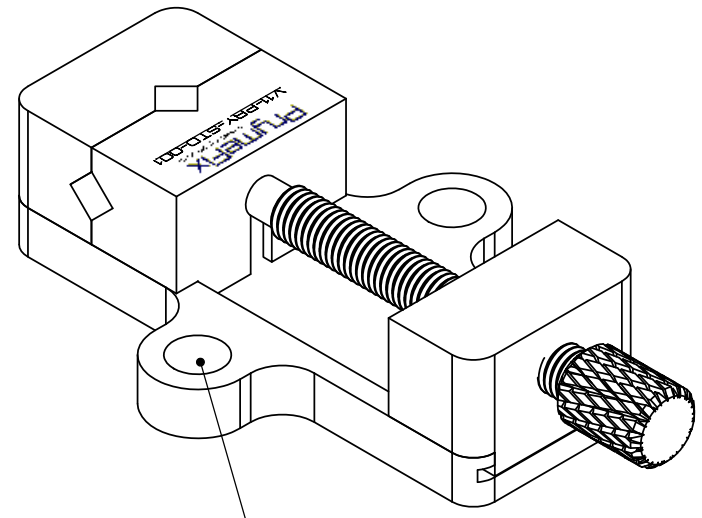
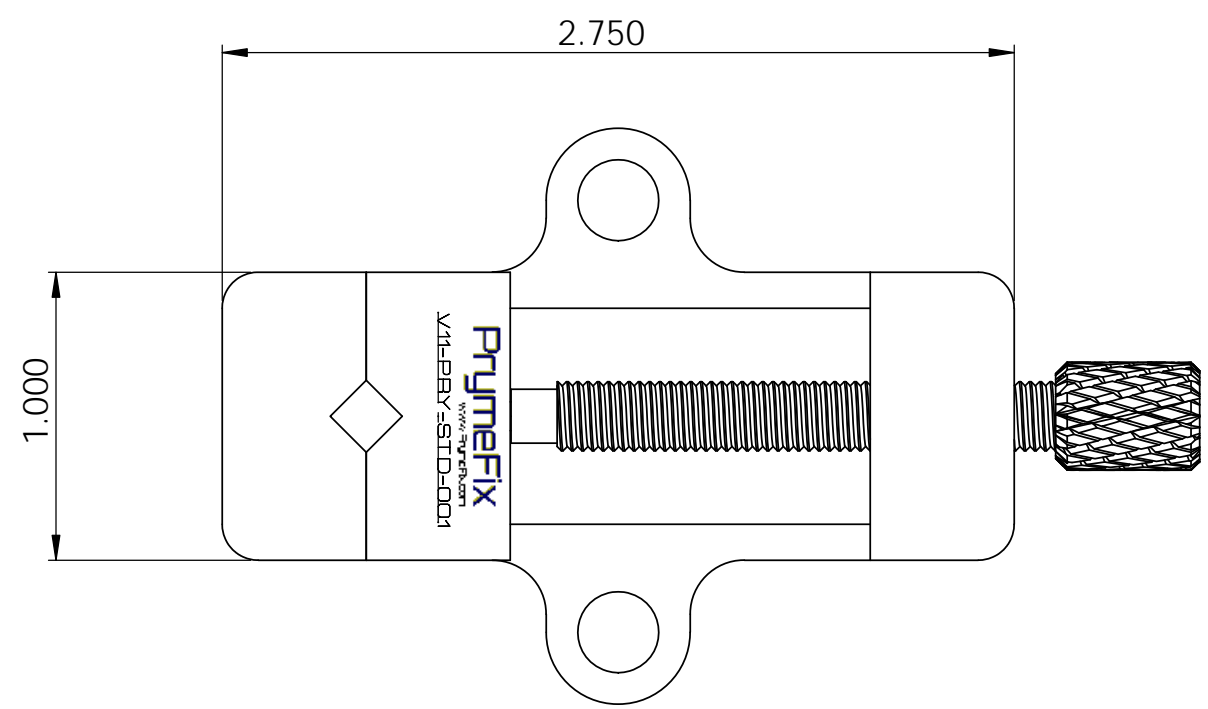
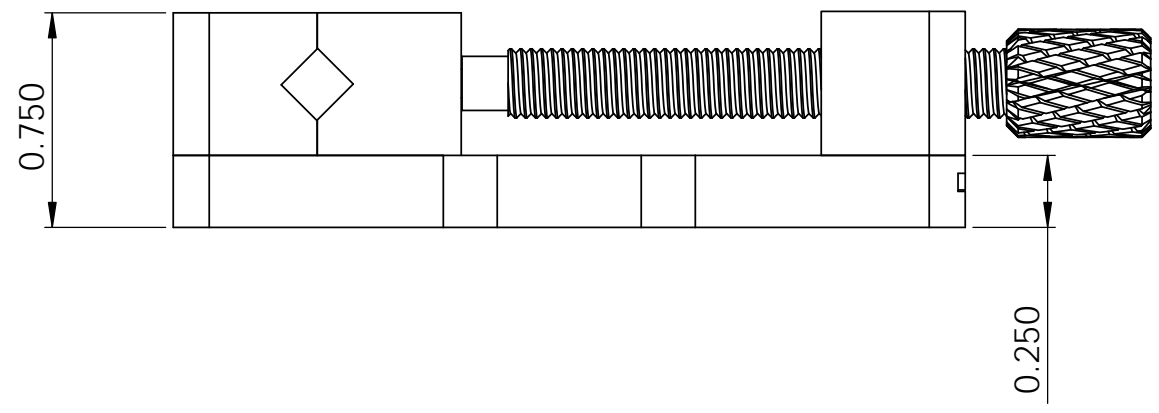


No. COMPONENTS IN ASSLY	OP1	OP2	OP3	OP4	OP5	OP6	1
1							



HOLES TO MOUNT TO ANY PRYMEFIX INSERT



PrymeFix
fixturing solutions

155 PRAIRIE LAKE RD, SUITE A
EAST DUNDEE, IL 60118
847.428.7122

FILE NAME
V11-PRY-STD-001

DIRECTORY
P:\Manufacturing\PrymeFix Product Line\V11 V-blocks & Vices\V11-PRY-STD-001 MICRO VICE\

PROPRIETARY AND CONFIDENTIAL

THE INFORMATION CONTAINED IN THIS DRAWING IS THE SOLE PROPERTY OF PRYMEFIX. ANY REPRODUCTION IN PART OR AS A WHOLE WITHOUT THE WRITTEN PERMISSION OF PRYMEFIX IS PROHIBITED.

1	UPDATED RAIL DESIGN, 18-0621 RD	UNLESS OTHERWISE SPECIFIED	DRAWN BY: RD	DATE 10/14/2013
2		FRACTIONAL $\pm .003$ ANGULAR: ± 1.0 TWO PLACE DECIMAL $\pm .010$ THREE PLACE DECIMAL $\pm .003$ FOUR PLACE DECIMAL $\pm .0005$ (REAM)	TITLE: V11-PRY-STD-001 MICRO VICE	
3				
4		HEAT TREAT N/A	No Pcs to Complete Order:	
5		MATERIAL 6061 AL		
6		FINISH G&M GREY POWDER COAT	SIZE B	DWG. NO. V11-PRY-STD-001 PRINTS
7			REV 1	
REVISION HISTORY		INCH UNITS	SCALE: 1:1	WEIGHT: 0.14
			SHEET 9 OF 9	

D
C
B
A

D
C
B
A

8 7 6 5 4 3 2 1