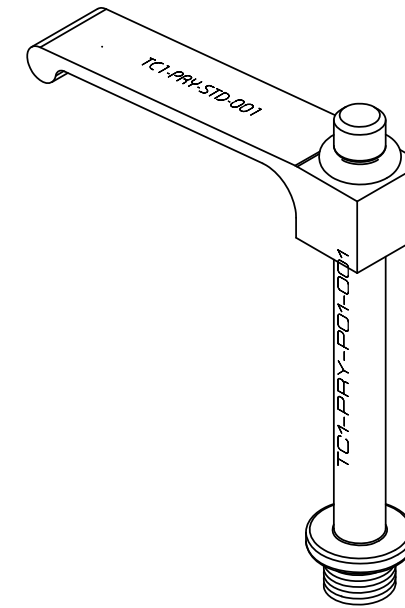
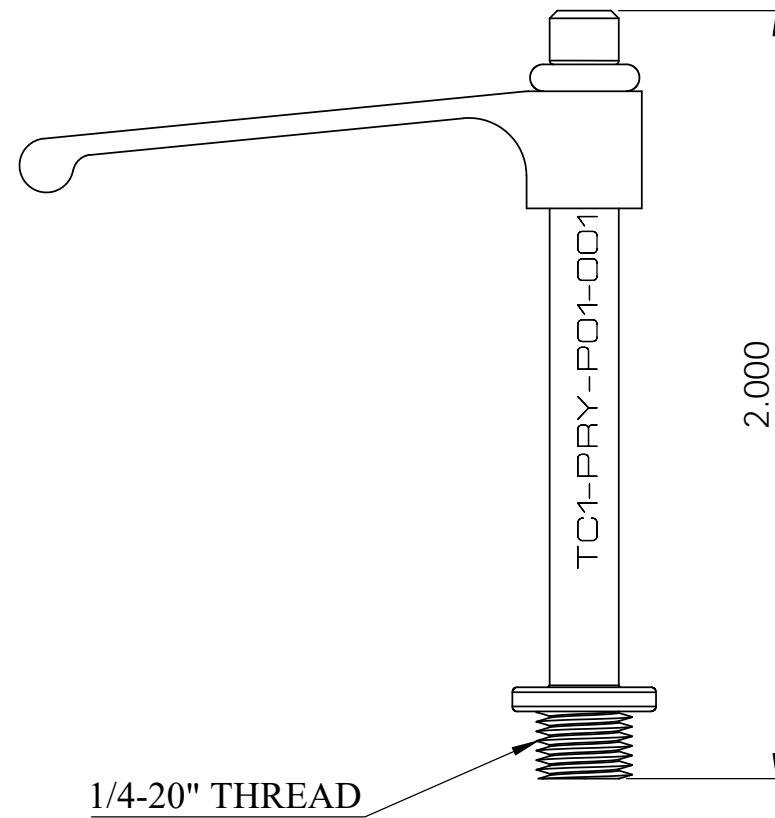
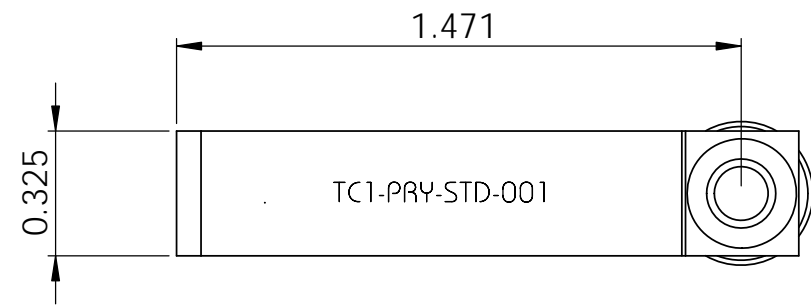


No. COMPONENTS IN ASSLY	OP1	OP2	OP3	OP4	OP5	OP6	1
1							



PrymeFix
fixturing solutions

155 PRAIRIE LAKE RD, SUITE A
EAST DUNDEE, IL 60118
847.428.7122

FILE NAME
TC1-PRY-STD-000

DIRECTORY
P:\Manufacturing\PrymeFix Product Line\TC Touch Clamps\

PROPRIETARY AND CONFIDENTIAL

THE INFORMATION CONTAINED IN THIS DRAWING IS THE SOLE PROPERTY OF PRYMEFIX. ANY REPRODUCTION IN PART OR AS A WHOLE WITHOUT THE WRITTEN PERMISSION OF PRYMEFIX IS PROHIBITED.

1		UNLESS OTHERWISE SPECIFIED	DRAWN BY: AK	DATE 1/20/2015	
2			TITLE: TC1-PRY-STD-001 TOUCH CLAMP		
3		FRACTIONAL ± .003 ANGULAR: ± 1.0 TWO PLACE DECIMAL ± .010 THREE PLACE DECIMAL ± .003 FOUR PLACE DECIMAL ± .0005 (REAM)	SIZE B DWG. NO. TC1-PRY-STD-XXX PRINTS REV 0		
4			HEAT TREAT N/A	No Pcs to Complete Order:	
5			MATERIAL 6061 Alloy		
6		FINISH N/A			
7		INCH UNITS	SCALE: 2:1	WEIGHT: 0.01	
REVISION HISTORY			SHEET 6 OF 7		