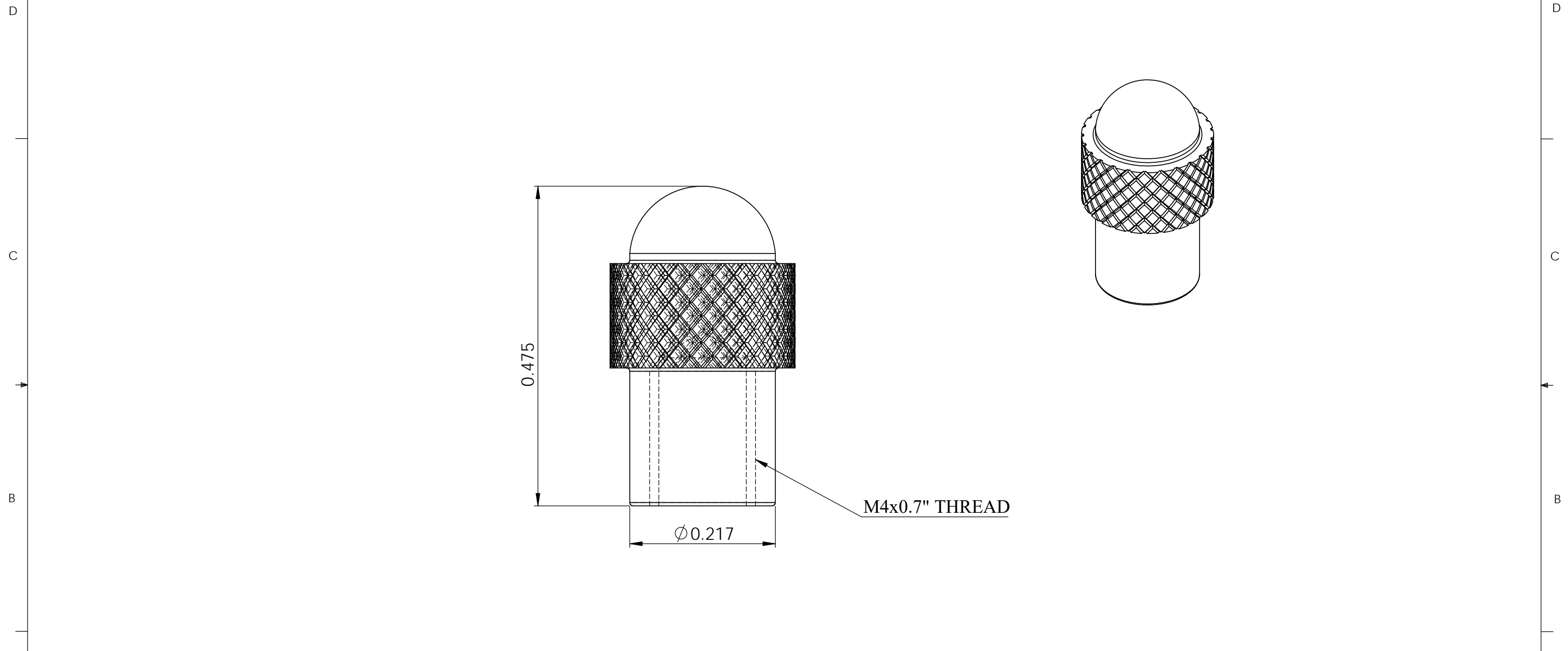


No. COMPONENTS IN ASSLY	OP1	OP2	OP3	OP4	OP5	OP6	1
1							



PrymeFix
 fixturing solutions

155 PRAIRIE LAKE RD, SUITE A
 EAST DUNDEE, IL 60118
 847.428.7122

FILE NAME
 SP2-375-475-001

DIRECTORY
 P:\Manufacturing\PrymeFix Product Line\SO Standoffs & Kits\SO2 M4 Kits\

PROPRIETARY AND CONFIDENTIAL

THE INFORMATION CONTAINED IN THIS DRAWING IS THE SOLE PROPERTY OF PRYMETECH. ANY REPRODUCTION IN PART OR AS A WHOLE WITHOUT THE WRITTEN PERMISSION OF PRYMETECH IS PROHIBITED.

1		UNLESS OTHERWISE SPECIFIED	DRAWN BY: RD	DATE 10/9/2013
2		FRACTIONAL $\pm .003$ ANGULAR: ± 1.0 TWO PLACE DECIMAL $\pm .010$ THREE PLACE DECIMAL $\pm .003$ FOUR PLACE DECIMAL $\pm .0005$ (REAM)	TITLE: SP2-375-475-001 SPHERICAL RESTING PIN	
3		HEAT TREAT N/A		
4		MATERIAL 6061 Alloy	SIZE B DWG. NO. SO2-PRY-STD-001 TECHNICAL DRAWINGS	REV 0
5		FINISH BLACK ANODIZED		
6		REVISION HISTORY		
7			INCH UNITS	