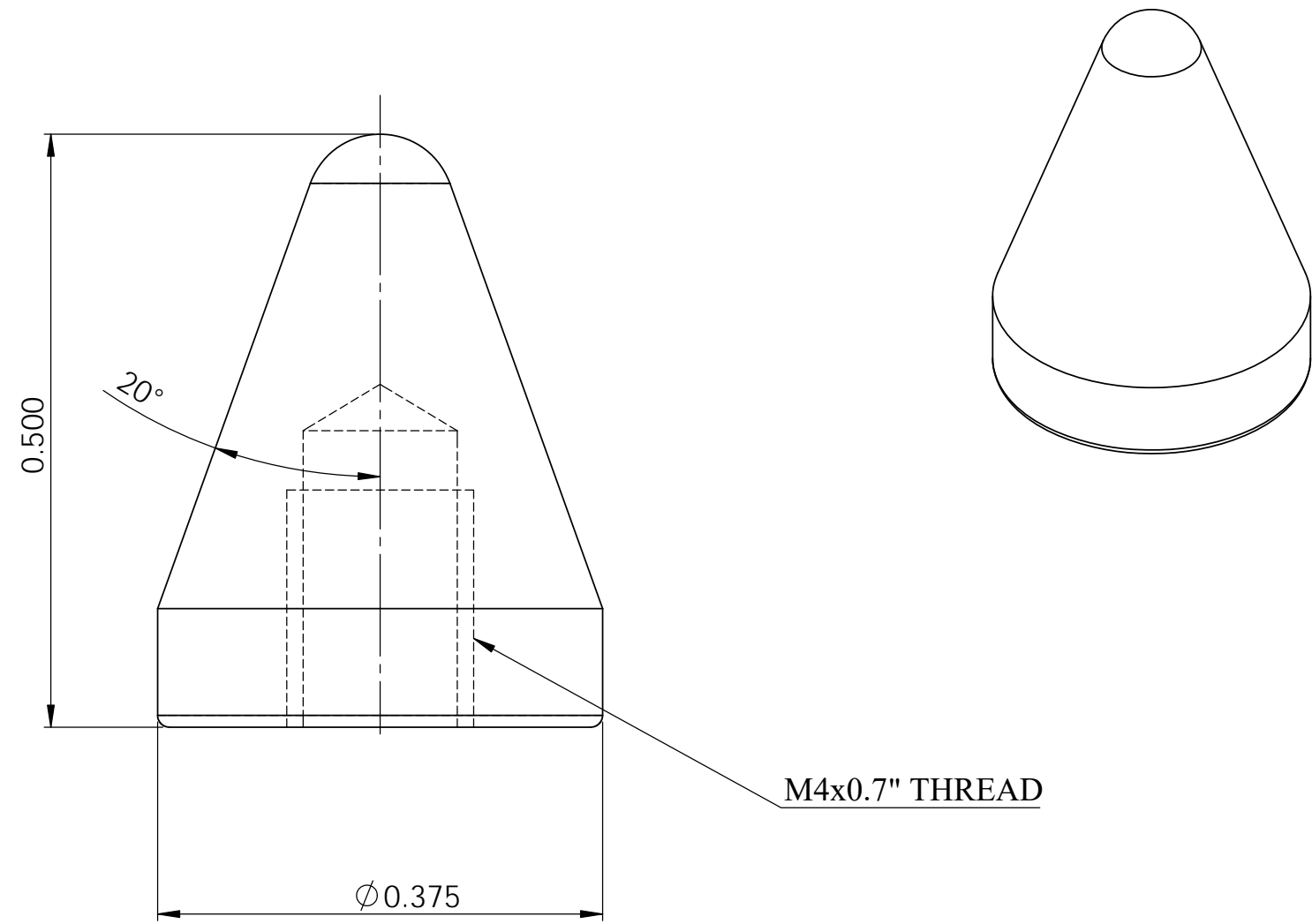


8	7	6	5	4	3	2	1
No. COMPONENTS IN ASSLY	OP1	OP2	OP3	OP4	OP5	OP6	
1							

D
C
B
A

D
C
B
A



PrymeFix
fixturing solutions

155 PRAIRIE LAKE RD, SUITE A
EAST DUNDEE, IL 60118
847.428.7122

FILE NAME
SP2-250-500-001

DIRECTORY
P:\Manufacturing\PrymeFix Product Line\SO Standoffs & Kits\SO2 M4 Kits\

PROPRIETARY AND CONFIDENTIAL

THE INFORMATION CONTAINED IN THIS DRAWING IS THE SOLE PROPERTY OF PRYMETECH. ANY REPRODUCTION IN PART OR AS A WHOLE WITHOUT THE WRITTEN PERMISSION OF PRYMETECH IS PROHIBITED.

1		UNLESS OTHERWISE SPECIFIED	DRAWN BY: RD	DATE 10/15/2013		
2		FRACTIONAL ± .003 ANGULAR: ± 1.0 TWO PLACE DECIMAL ± .010 THREE PLACE DECIMAL ± .003 FOUR PLACE DECIMAL ± .0005 (REAM)	TITLE: SP2-250-500-001 DELTRIN RESTING CONE 1/4"OD x 1/2"L			
3						
4		HEAT TREAT N/A	No Pcs to Complete Order:			
5		MATERIAL Delrin 2700 NC010, Low Viscosity Acetal Copolymer (SS) BLACK				
6		FINISH	SIZE B	DWG. NO. SO2-PRY-STD-001	REV 0	
7			TECHNICAL DRAWINGS			
REVISION HISTORY			INCH UNITS	SCALE: 10:1	WEIGHT: 0.00	SHEET 12 OF 13

8 7 6 5 4 3 2 1