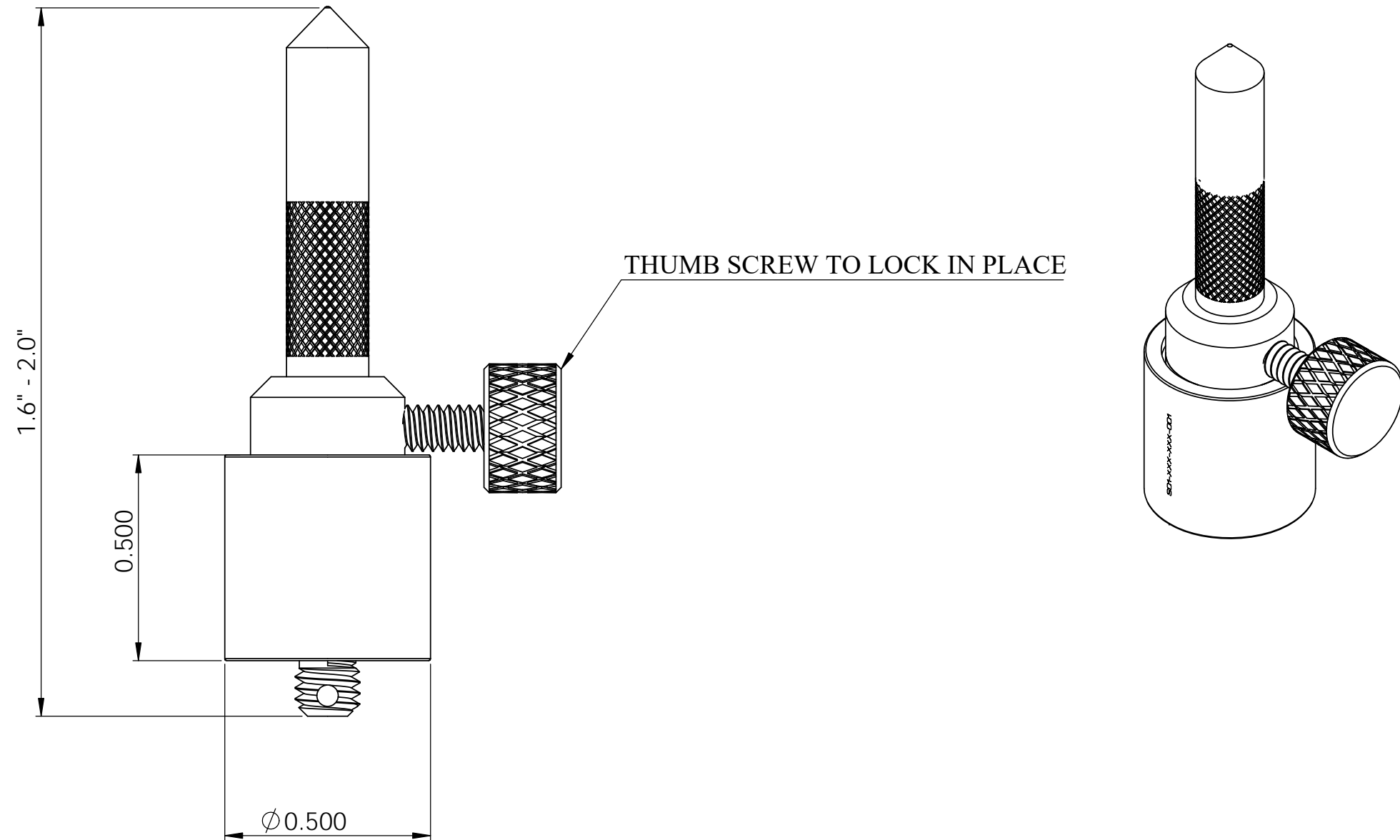


8	7	6	5	4	3	2	1
No. COMPONENTS IN ASSLY 1	OP1	OP2	OP3	OP4	OP5	OP6	



PrymeFix
fixturing solutions

155 PRAIRIE LAKE RD, SUITE A
EAST DUNDEE, IL 60118
847.428.7122

FILE NAME
SC2-375-1000-001

DIRECTORY
P:\Manufacturing\PrymeFix Product Line\SO Standoffs & Kits\SO2 M4 Kits\

PROPRIETARY AND CONFIDENTIAL

THE INFORMATION CONTAINED IN THIS DRAWING IS THE SOLE PROPERTY OF PRYMETECH. ANY REPRODUCTION IN PART OR AS A WHOLE WITHOUT THE WRITTEN PERMISSION OF PRYMETECH IS PROHIBITED.

1		UNLESS OTHERWISE SPECIFIED	DRAWN BY: RD	DATE 10/10/2013
2			TITLE: SC2-PRY-STD-001 ADJUSTABLE CONE STANDOFF	
3		HEAT TREAT N/A	No Pcs to Complete Order:	
4			MATERIAL Material <not specified>	SIZE B
5		FINISH N/A	REV 0	TECHNICAL DRAWINGS
6			SCALE: 10:1	WEIGHT: 0.02
7			SHEET 7 OF 13	
REVISION HISTORY			INCH UNITS	