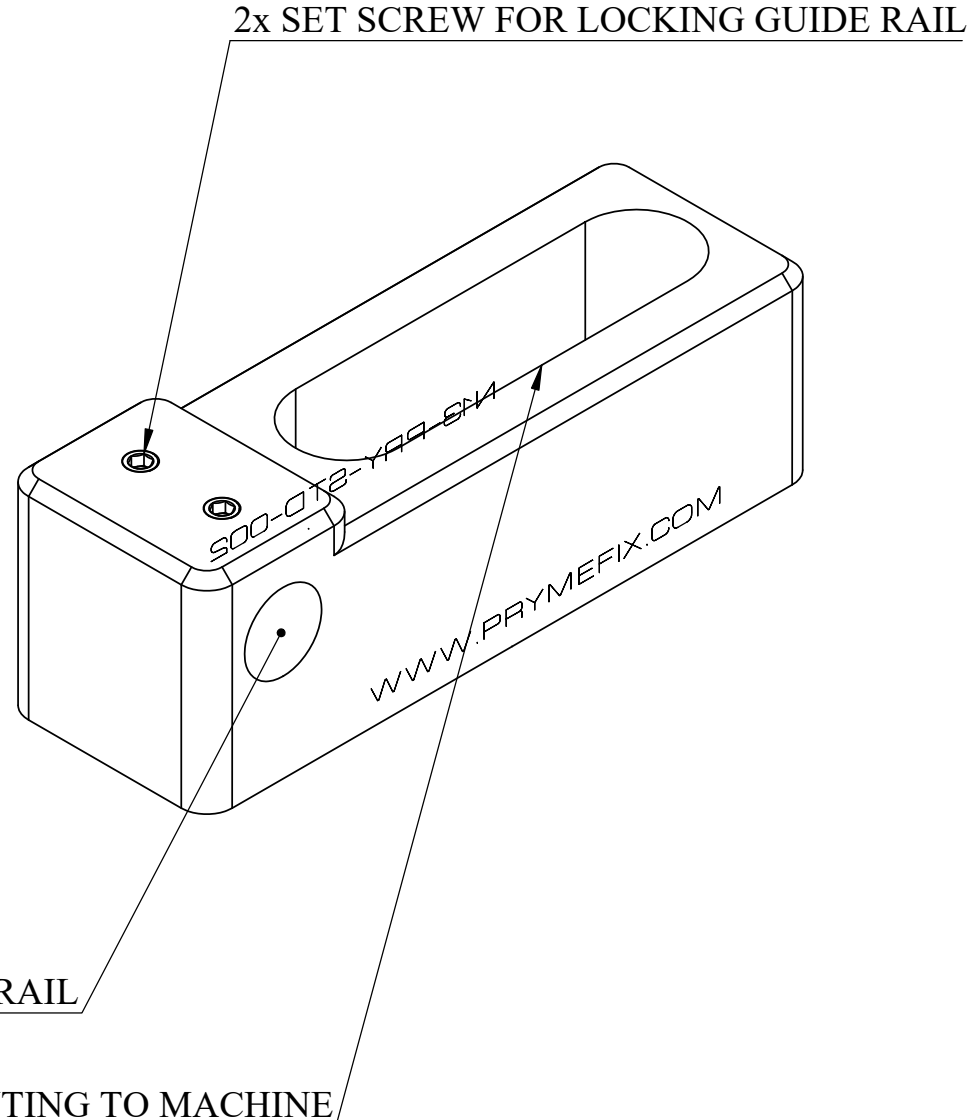
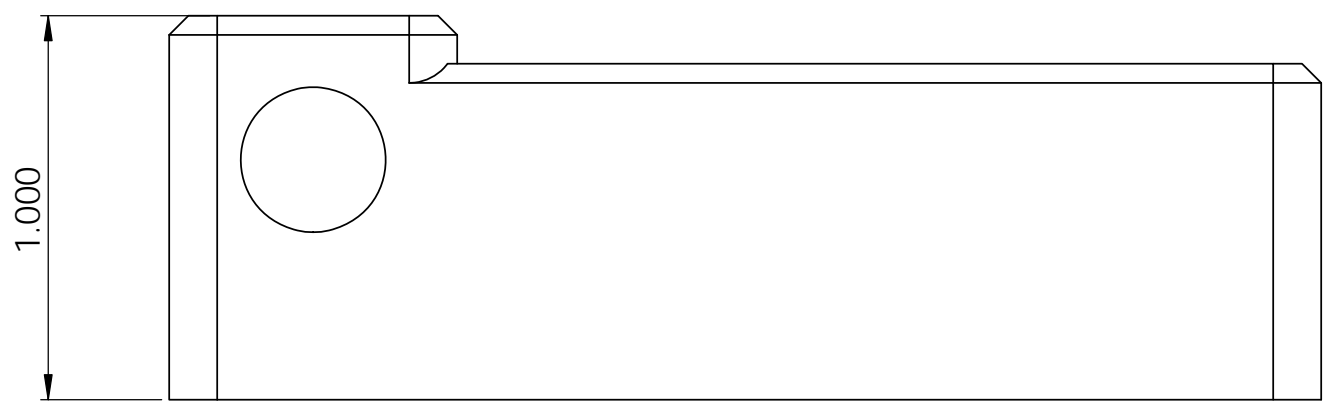
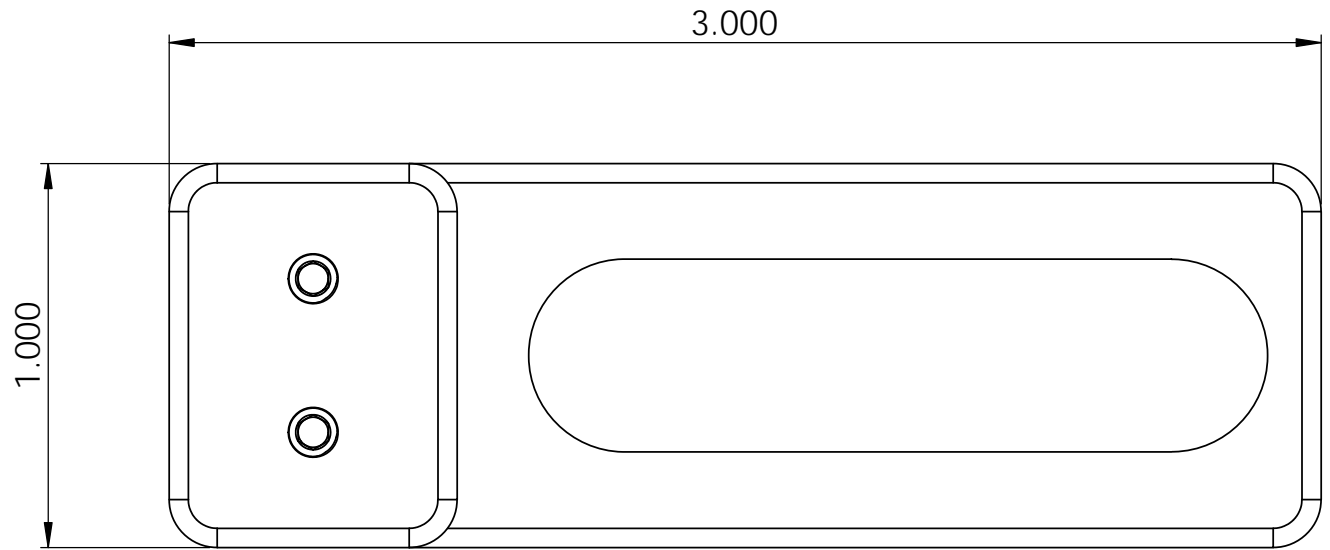


No. COMPONENTS IN ASSLY <b>1</b>	OP1	OP2	OP3	OP4	OP5	OP6	1
-------------------------------------	-----	-----	-----	-----	-----	-----	---



**PrymeFix**  
fixturing solutions

155 PRAIRIE LAKE RD, SUITE A  
EAST DUNDEE, IL 60118  
847.428.7122

FILE NAME  
N13-PRY-STD-002

DIRECTORY  
P:\Manufacturing\PrymeFix Product Line\C11 & N11 Corner Inserts & Nests\N13-PRY-STD-001\

**PROPRIETARY AND CONFIDENTIAL**

THE INFORMATION CONTAINED IN THIS DRAWING IS THE SOLE PROPERTY OF PRYMEFIX. ANY REPRODUCTION IN PART OR AS A WHOLE WITHOUT THE WRITTEN PERMISSION OF PRYMEFIX IS PROHIBITED.

1		UNLESS OTHERWISE SPECIFIED	DRAWN BY: <b>AK</b>	DATE: <b>8/6/2014</b>	
2			TITLE: <b>UNIVERSAL CORNER ADAPTOR N13-PRY-STD-002</b>		
3					
4			FRACTIONAL: ± .003 ANGULAR: ± 1.0 TWO PLACE DECIMAL: ± .010 THREE PLACE DECIMAL: ± .003 FOUR PLACE DECIMAL: ± .0005 (REAM)		
5			HEAT TREAT: <b>N/A</b>	No Pcs to Complete Order:	
6			MATERIAL: <b>6061 Alloy</b>	SIZE: <b>B</b>	DWG. NO.: N13-PRY-STD-XXX Prints
7			FINISH: <b>BLACK ANODIZED</b>	REV: <b>0</b>	
REVISION HISTORY		INCH UNITS	SCALE: 1:1	WEIGHT: 0.17	
			SHEET 6 OF 10		

D  
C  
B  
A

D  
C  
B  
A

8                      7                      6                      5                      4                      3                      2                      1