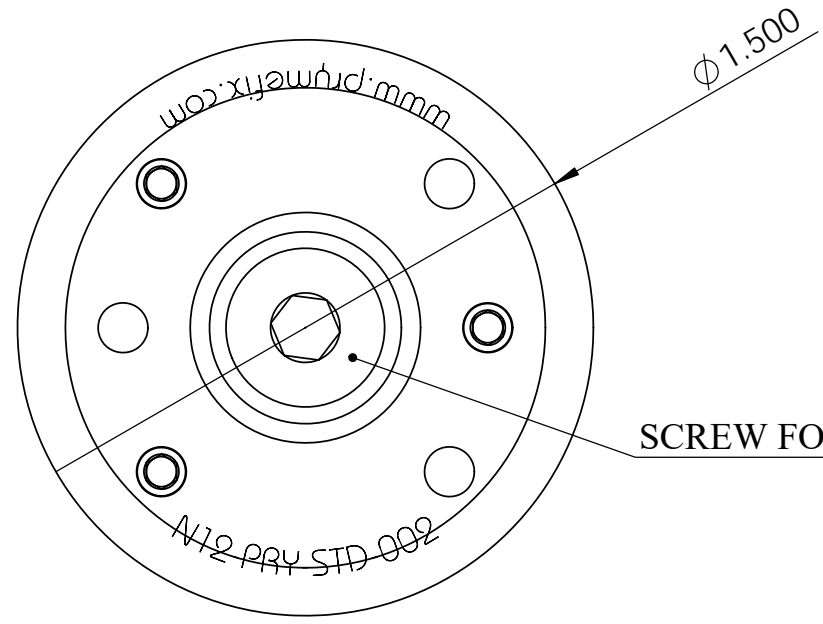
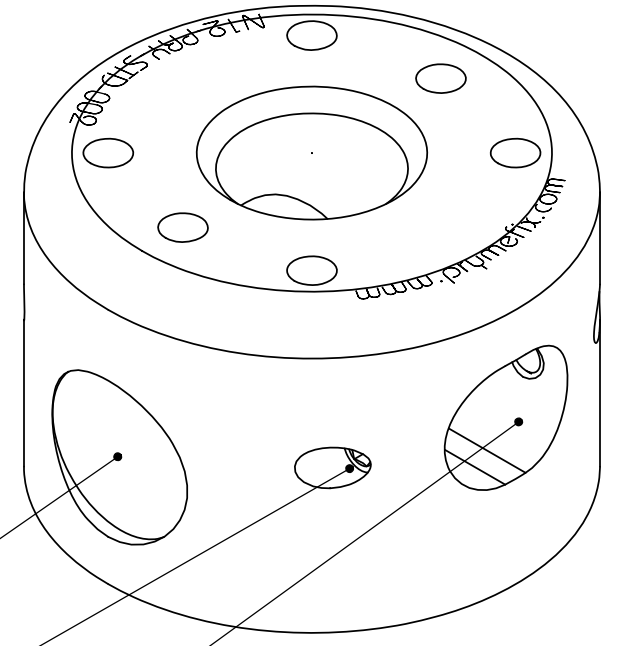


No. COMPONENTS IN ASSLY	OP1	OP2	OP3	OP4	OP5	OP6
1						



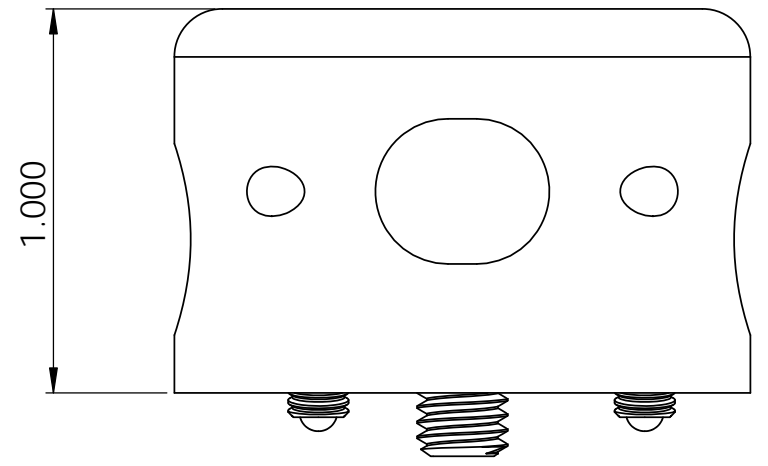
SCREW FOR MOUNTING TO MACHINE



2x MAGNET FOR MAGNETIC CONTACT WITH INSERT

4x SET SCREW FOR LOCKING GUIDE RAIL

SLOT FOR GUIDE RAIL



1.000

**PrymeFix**  
fixturing solutions

155 PRAIRIE LAKE RD, SUITE A  
EAST DUNDEE, IL 60118  
847.428.7122

FILE NAME	N12-PRY-STD-002
DIRECTORY	P:\Manufacturing\PrymeFix Product Line\C11 & N11 Corner Inserts & Nests\N12-PRY-STD-001\

**PROPRIETARY AND CONFIDENTIAL**

THE INFORMATION CONTAINED IN THIS DRAWING IS THE SOLE PROPERTY OF PRYMETECH. ANY REPRODUCTION IN PART OR AS A WHOLE WITHOUT THE WRITTEN PERMISSION OF PRYMETECH IS PROHIBITED.

1		UNLESS OTHERWISE SPECIFIED	DRAWN BY:	<b>AK</b>	DATE	8/6/2014
2			TITLE: N12-PRY-STD-002			
3			FRACTIONAL ± .003 ANGULAR: ± 1.0 TWO PLACE DECIMAL ± .010 THREE PLACE DECIMAL ± .003 FOUR PLACE DECIMAL ± .0005 (REAM)			
4			HEAT TREAT	N/A		
5			No Pcs to Complete Order:			
6			MATERIAL	6061 Alloy		
7			FINISH	HARDCOAT ANODIZED		
REVISION HISTORY			INCH UNITS	SCALE: 2:1	WEIGHT: 0.14	SHEET 10 OF 12
			SIZE	DWG. NO.	REV	
			<b>B</b>	N12-PRY-STD-XXX Prints	<b>0</b>	