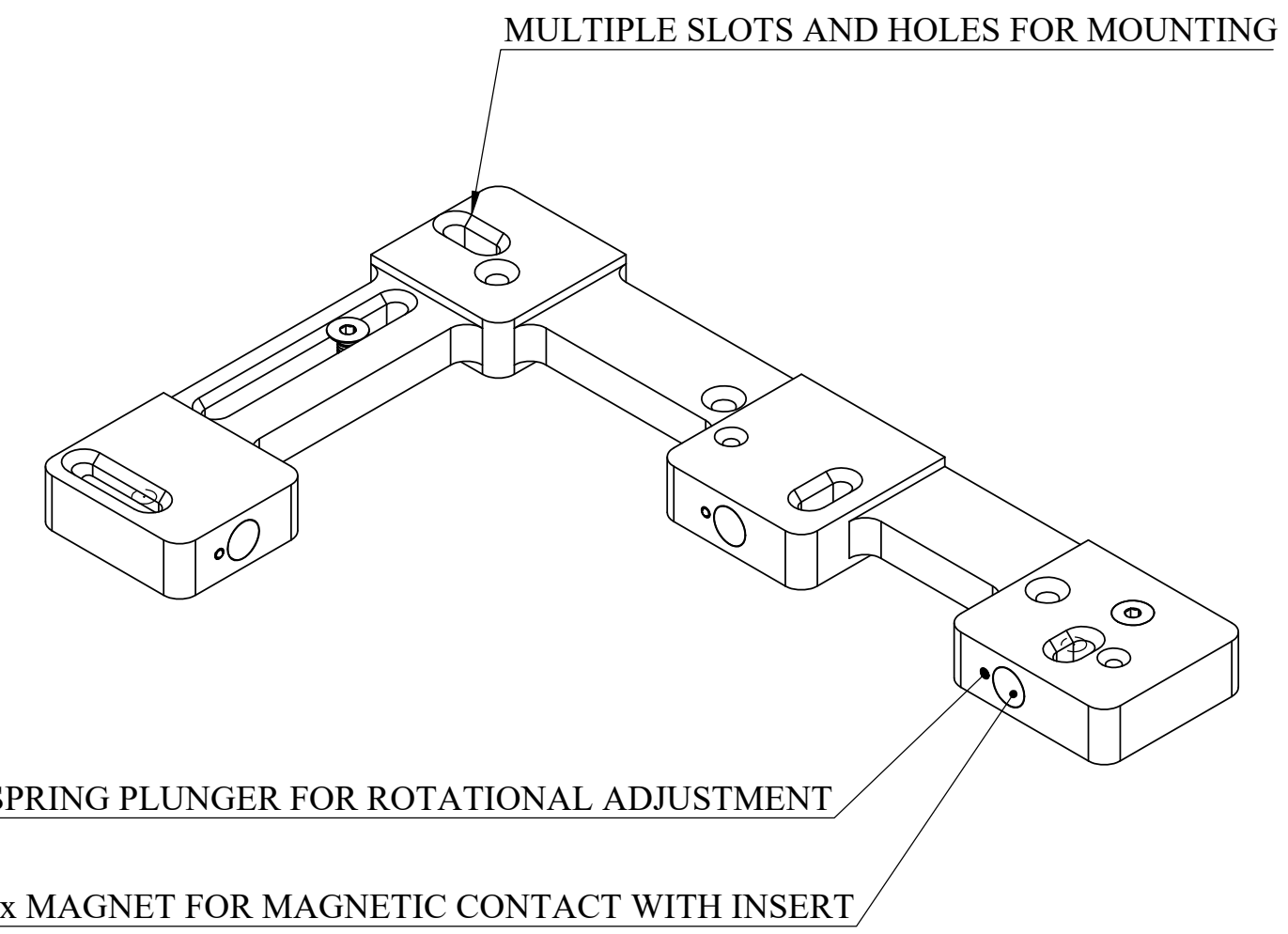
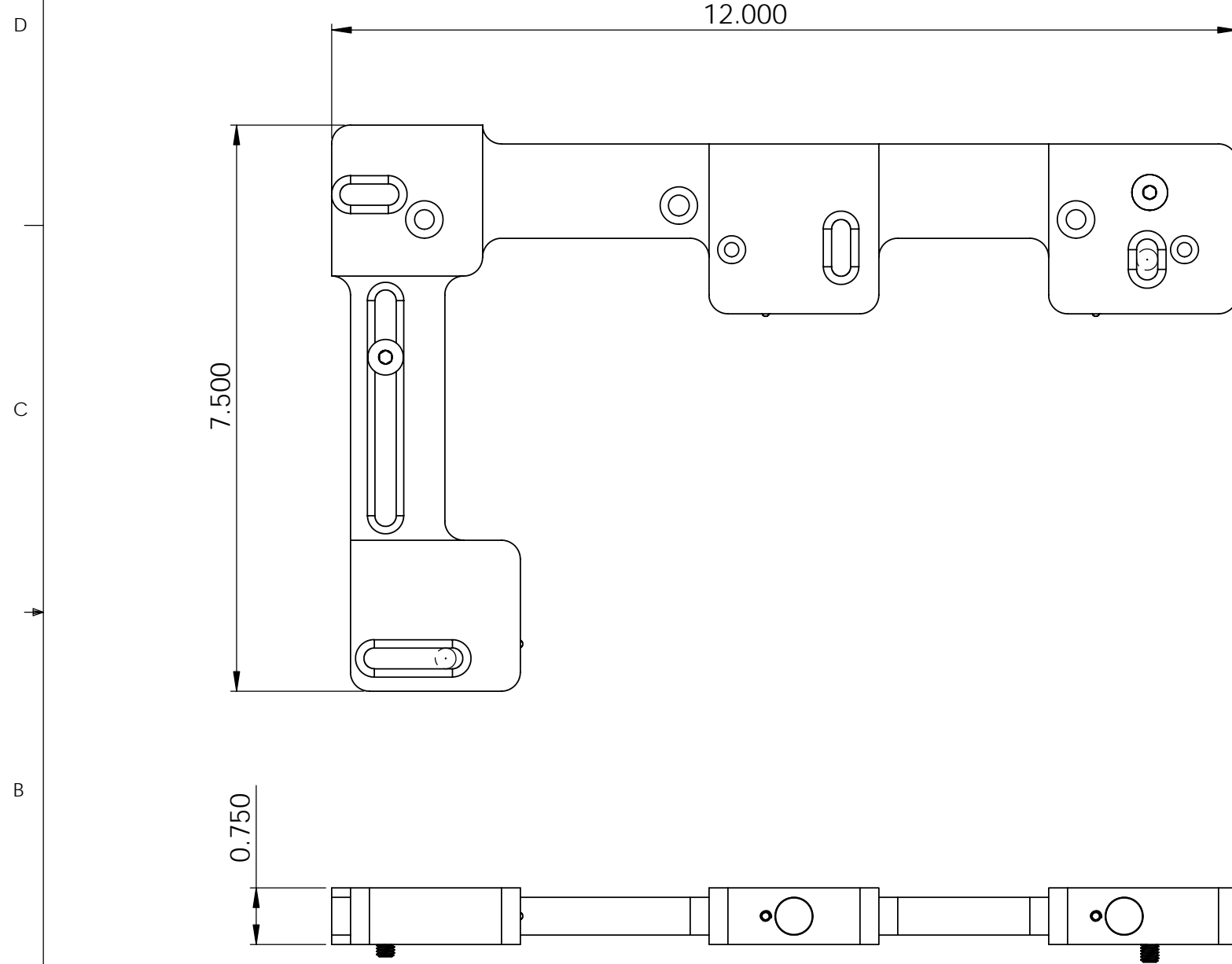


8	7	6	5	4	3	2	1
No. COMPONENTS IN ASSLY 1	OP1	OP2	OP3	OP4	OP5	OP6	



PrymeFix
fixturing solutions

155 PRAIRIE LAKE RD, SUITE A
EAST DUNDEE, IL 60118
847.428.7122

FILE NAME
N11-OGP-SSF-300150

DIRECTORY
P:\Manufacturing\PrymeFix Product Line\C11 & N11 Corner Inserts & Nests\N11-OGP-SSF-300150\

PROPRIETARY AND CONFIDENTIAL

THE INFORMATION CONTAINED IN THIS DRAWING IS THE SOLE PROPERTY OF PRYMETECH. ANY REPRODUCTION IN PART OR AS A WHOLE WITHOUT THE WRITTEN PERMISSION OF PRYMETECH IS PROHIBITED.

1	ADDED RAM MOUNTING HOLES	UNLESS OTHERWISE SPECIFIED	DRAWN BY: RD	DATE: 7/18/2013	
2			TITLE: 300150 CORNER NEST		
3					
4			FRACTIONAL $\pm .003$ ANGULAR: ± 1.0 TWO PLACE DECIMAL $\pm .010$ THREE PLACE DECIMAL $\pm .003$ FOUR PLACE DECIMAL $\pm .0005$ (REAM)		
5		HEAT TREAT	No Pcs to Complete Order:		
6		MATERIAL: 6061 AL			
7		FINISH: G&M GREY POWDER COAT	SIZE: B	DWG. NO.: N11-OGP-SSF-300150 PRINTS	REV: 8
REVISION HISTORY			SCALE: 1:5	WEIGHT: 1.76	SHEET 4 OF 4