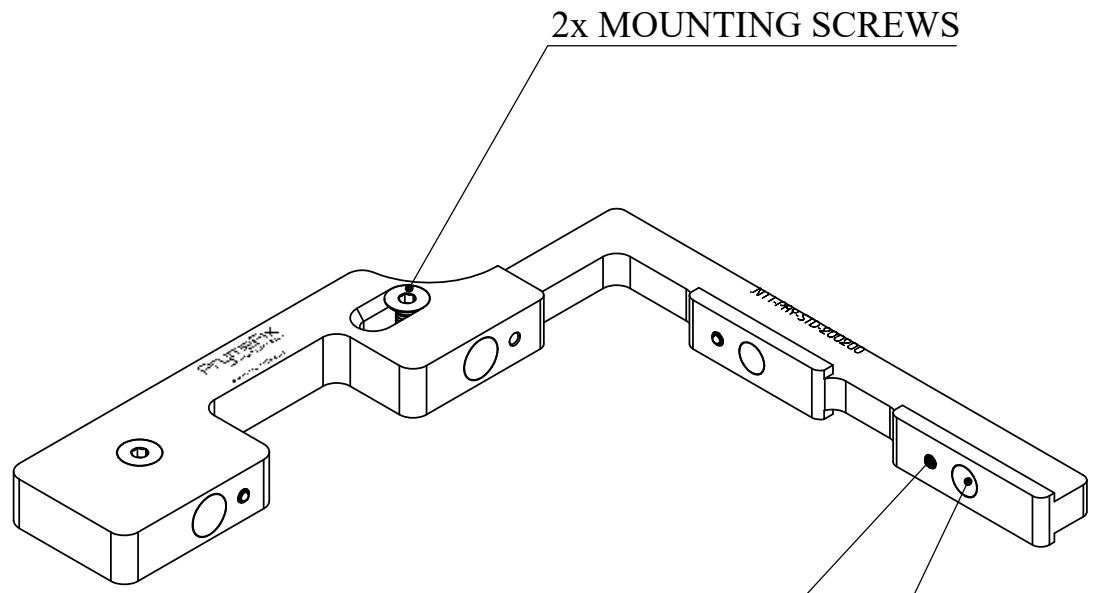
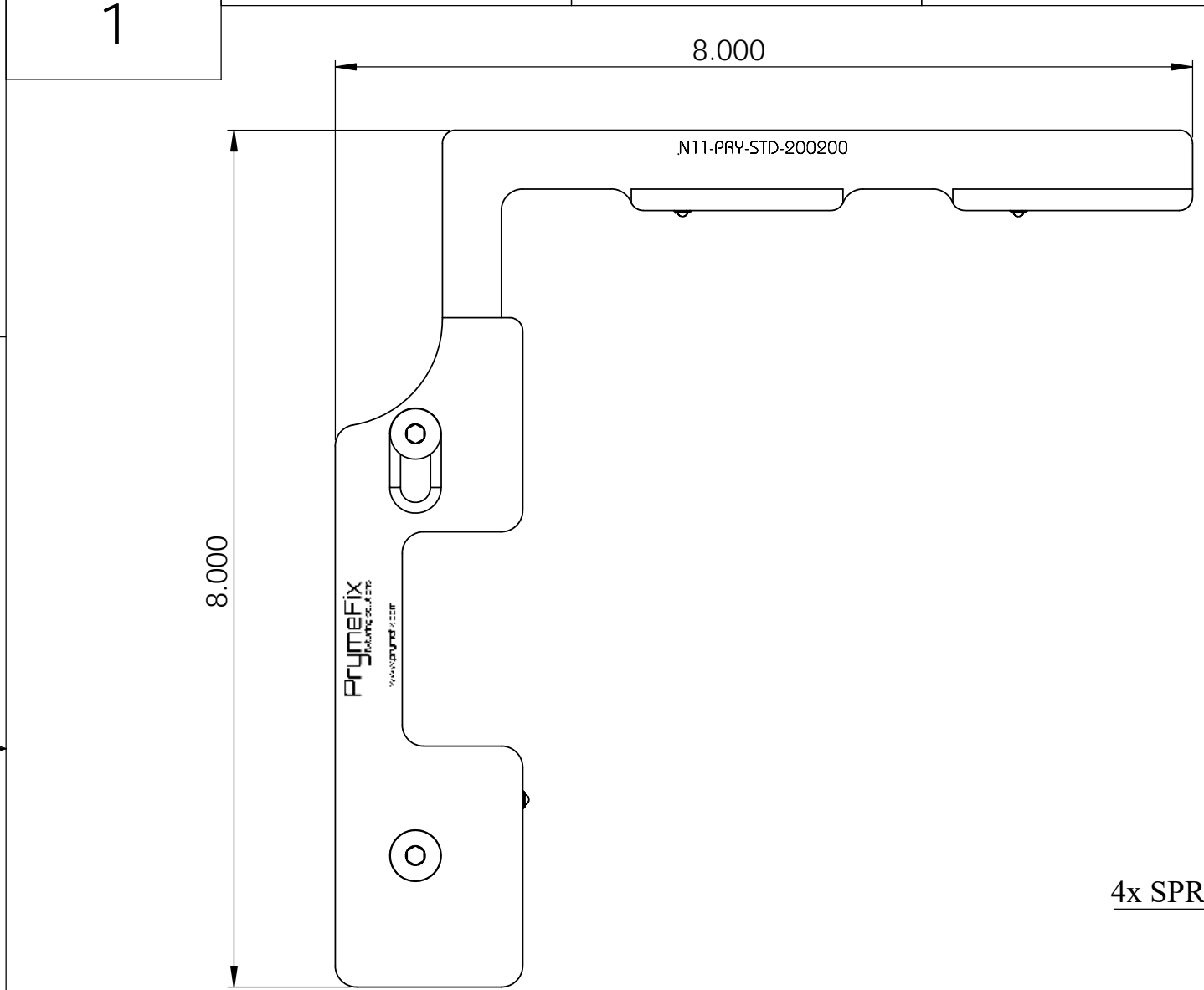


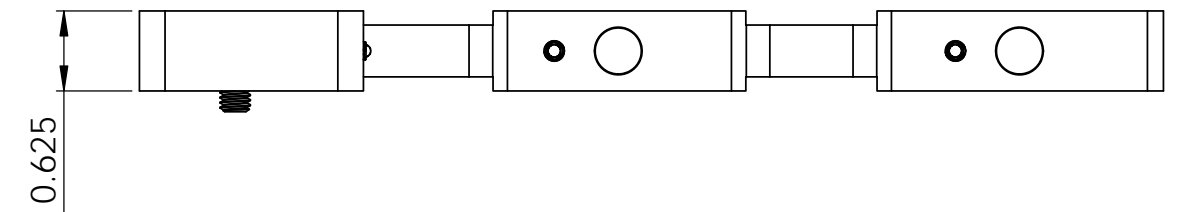
8	7	6	5	4	3	2	1
No. COMPONENTS IN ASSLY	OP1	OP2	OP3	OP4	OP5	OP6	



2x MOUNTING SCREWS

4x SPRING PLUNGER FOR ROTATIONAL ADJUSTMENT

4x MAGNET FOR MAGNETIC CONTACT WITH INSERT



PrymeFix
fixturing solutions

155 PRAIRIE LAKE RD, SUITE A
EAST DUNDEE, IL 60118
847.428.7122

FILE NAME	N11-OGP-SSF-200200
DIRECTORY	P:\Manufacturing\PrymeFix Product Line\C11 & N11 Corner Inserts & Nests\N11-OGP-SSF-200200\

PROPRIETARY AND CONFIDENTIAL

THE INFORMATION CONTAINED IN THIS DRAWING IS THE SOLE PROPERTY OF PRYMEFIX. ANY REPRODUCTION IN PART OR AS A WHOLE WITHOUT THE WRITTEN PERMISSION OF PRYMEFIX IS PROHIBITED.

1		UNLESS OTHERWISE SPECIFIED	DRAWN BY:	RD	DATE	7/19/2013
2			TITLE: 200200 CORNER NEST			
3		HEAT TREAT N/A	FRACTIONAL $\pm .003$ ANGULAR: ± 1.0 TWO PLACE DECIMAL $\pm .010$ THREE PLACE DECIMAL $\pm .003$ FOUR PLACE DECIMAL $\pm .0005$ (REAM)			
4			No Pcs to Complete Order:			
5			MATERIAL 6061 Alloy			
6		FINISH HARDCOAT ANODIZED	SIZE	B	DWG. NO.	N11-OGP-SSF-200200 Print
7			REV	0	SCALE: 1:2	WEIGHT: 0.64
REVISION HISTORY		INCH UNITS	SHEET 6 OF 6			