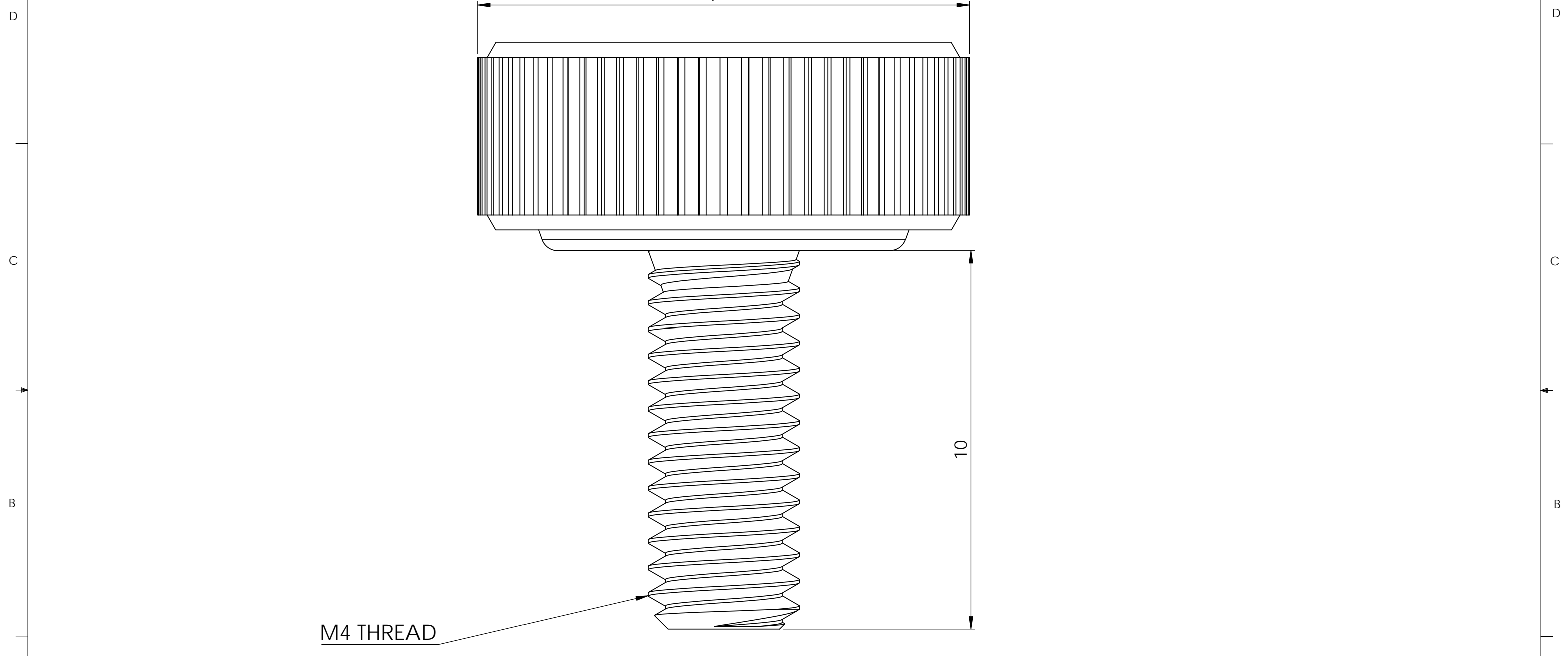


8	7	6	5	4	3	2	1
No. COMPONENTS IN ASSLY	OP1	OP2	OP3	OP4	OP5	OP6	



PrymeFix
 fixturing solutions

155 PRAIRIE LAKE RD, SUITE A
 EAST DUNDEE, IL 60118
 847.428.7122

FILE NAME
 THUMB-SCREW_M4x10_96016A117
 DIRECTORY
 P:\Manufacturing\Master CAD Libraries\Thumb Screws\

PROPRIETARY AND CONFIDENTIAL

THE INFORMATION CONTAINED IN THIS DRAWING IS THE SOLE PROPERTY OF PRYMEFIX. ANY REPRODUCTION IN PART OR AS A WHOLE WITHOUT THE WRITTEN PERMISSION OF PRYMEFIX IS PROHIBITED.

1		UNLESS OTHERWISE SPECIFIED	DRAWN BY:	DATE	
2				11/28/2012	
3		FRACTIONAL $\pm .003$ ANGULAR: ± 1.0 TWO PLACE DECIMAL $\pm .010$ THREE PLACE DECIMAL $\pm .003$ FOUR PLACE DECIMAL $\pm .0005$ (REAM)	TITLE: M4x10mm THUMB SCREW		
4					
5	HEAT TREAT		No Pcs to Complete Order:		
6	MATERIAL		SIZE	DWG. NO.	REV
7	FINISH		B	SO5-PRY-STD-001 M4-14-20 CONVERTER PRINT	
REVISION HISTORY		INCH UNITS	SCALE: 5:1	WEIGHT:	SHEET 9 OF 10