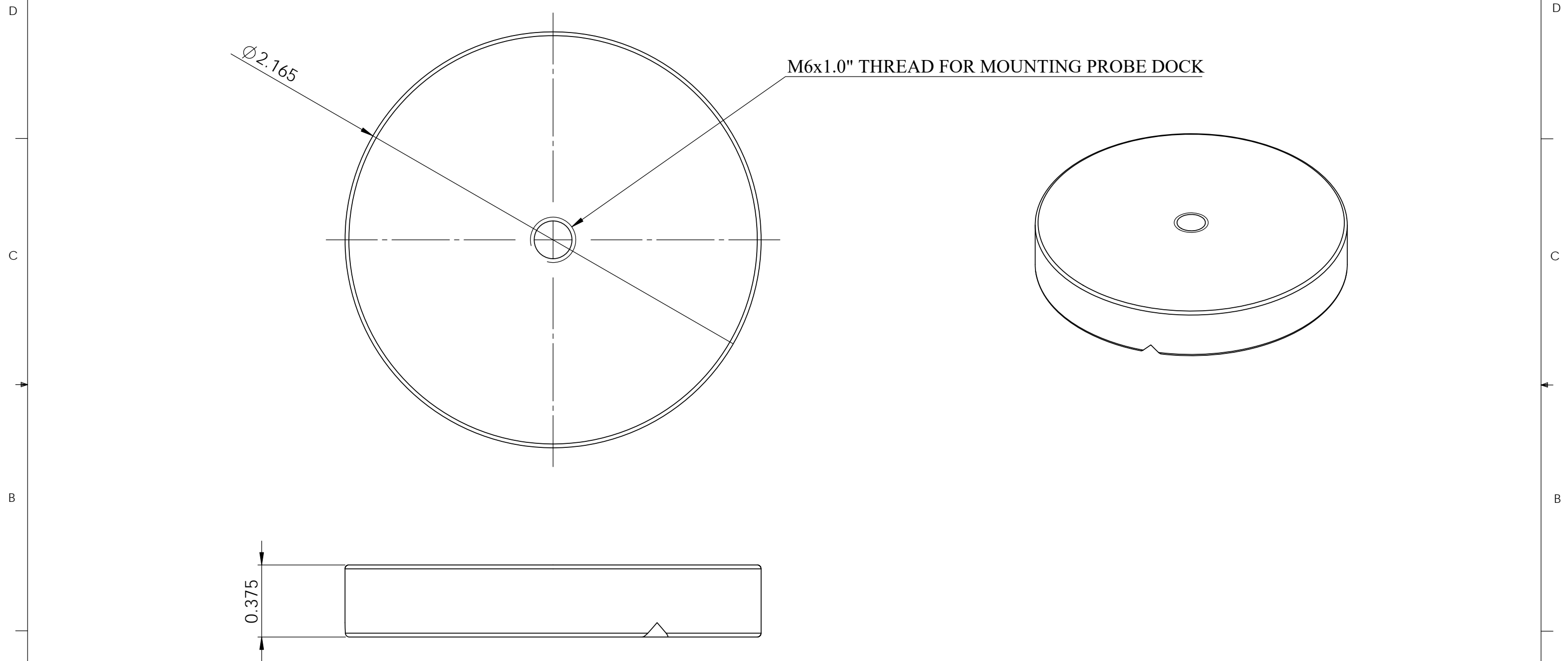


No. COMPONENTS IN ASSLY	OP1	OP2	OP3	OP4	OP5	OP6	
1							



PrymeFix
fixturing solutions

155 PRAIRIE LAKE RD, SUITE A
EAST DUNDEE, IL 60118
847.428.7122

FILE NAME
K11-OGP-SSF-003

DIRECTORY
P:\Manufacturing\PrymeFix Product Line\K11 Kinematic Dock Mount\K11-PRY-STD-001\

PROPRIETARY AND CONFIDENTIAL

THE INFORMATION CONTAINED IN THIS DRAWING IS THE SOLE PROPERTY OF PRYMEFIX. ANY REPRODUCTION IN PART OR AS A WHOLE WITHOUT THE WRITTEN PERMISSION OF PRYMEFIX IS PROHIBITED.

1		UNLESS OTHERWISE SPECIFIED	DRAWN BY:	RD	DATE	7/16/2013
2		FRACTIONAL ± .003 ANGULAR: ± 1.0 TWO PLACE DECIMAL ± .010 THREE PLACE DECIMAL ± .003 FOUR PLACE DECIMAL ± .0005 (REAM)	TITLE: K11-PRY-STD-003 DOCK BASE			
3						
4		HEAT TREAT N/A	No Pcs to Complete Order:			
5		MATERIAL Alloy Steel				
6		FINISH BLACK POWDER COAT	SIZE	DWG. NO.	REV	
7			B	K11-PRY-STD-001	0	
REVISION HISTORY		INCH UNITS	SCALE: 1:1	WEIGHT:	SHEET 13 OF 14	