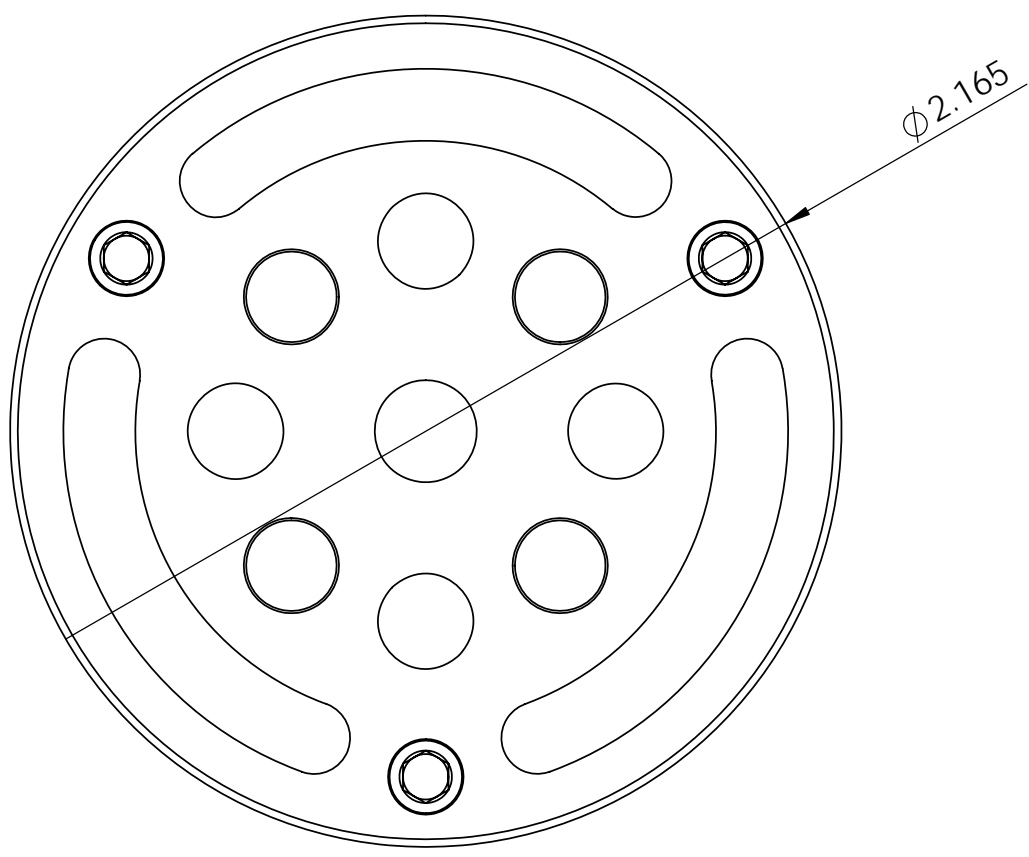
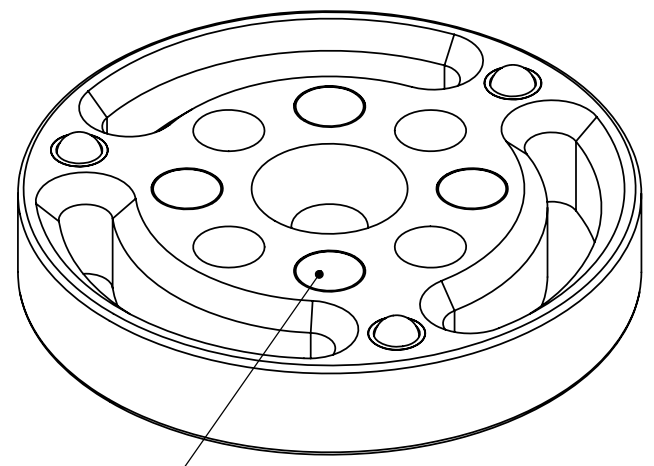


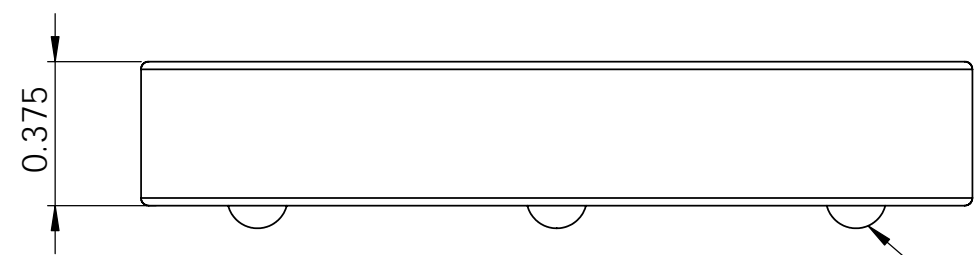
8	7	6	5	4	3	2	1
No. COMPONENTS IN ASSLY	OP1	OP2	OP3	OP4	OP5	OP6	
1							



$\phi 2.165$



4x MAGNET FOR PROBE DOCK MOUNTING



0.375

3x BALL NOSE SET SCREW FOR LEVELING

PrymeFix
fixturing solutions

155 PRAIRIE LAKE RD, SUITE A
EAST DUNDEE, IL 60118
847.428.7122

FILE NAME
K11-OGP-SSF-002

DIRECTORY
P:\Manufacturing\PrymeFix Product Line\K11 Kinematic Dock Mount\K11-PRY-STD-001\

PROPRIETARY AND CONFIDENTIAL

THE INFORMATION CONTAINED IN THIS DRAWING IS THE SOLE PROPERTY OF PRYMEFIX. ANY REPRODUCTION IN PART OR AS A WHOLE WITHOUT THE WRITTEN PERMISSION OF PRYMEFIX IS PROHIBITED.

1		UNLESS OTHERWISE SPECIFIED	DRAWN BY: AK	DATE 5/12/2015
2		FRACTIONAL $\pm .003$ ANGULAR: ± 1.0 TWO PLACE DECIMAL $\pm .010$ THREE PLACE DECIMAL $\pm .003$ FOUR PLACE DECIMAL $\pm .0005$ (REAM)	TITLE: K11-PRY-STD-002 MAGNETIC MOUNT BASE	
3		HEAT TREAT N/A		
4		MATERIAL 6061 Alloy	No Pcs to Complete Order:	
5		FINISH BLACK POWDER COAT		
6			SIZE B	DWG. NO. K11-PRY-STD-001
7				REV 0
REVISION HISTORY			SCALE: 1:1	WEIGHT: 0.09
			SHEET 12 OF 14	