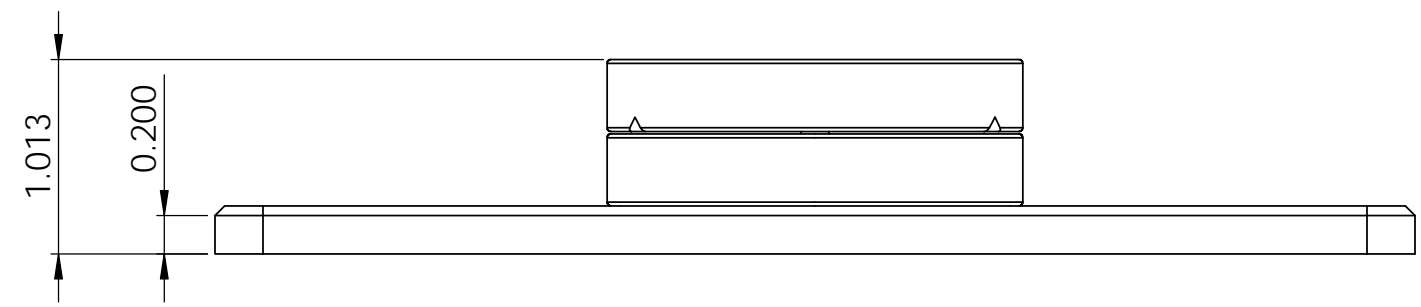
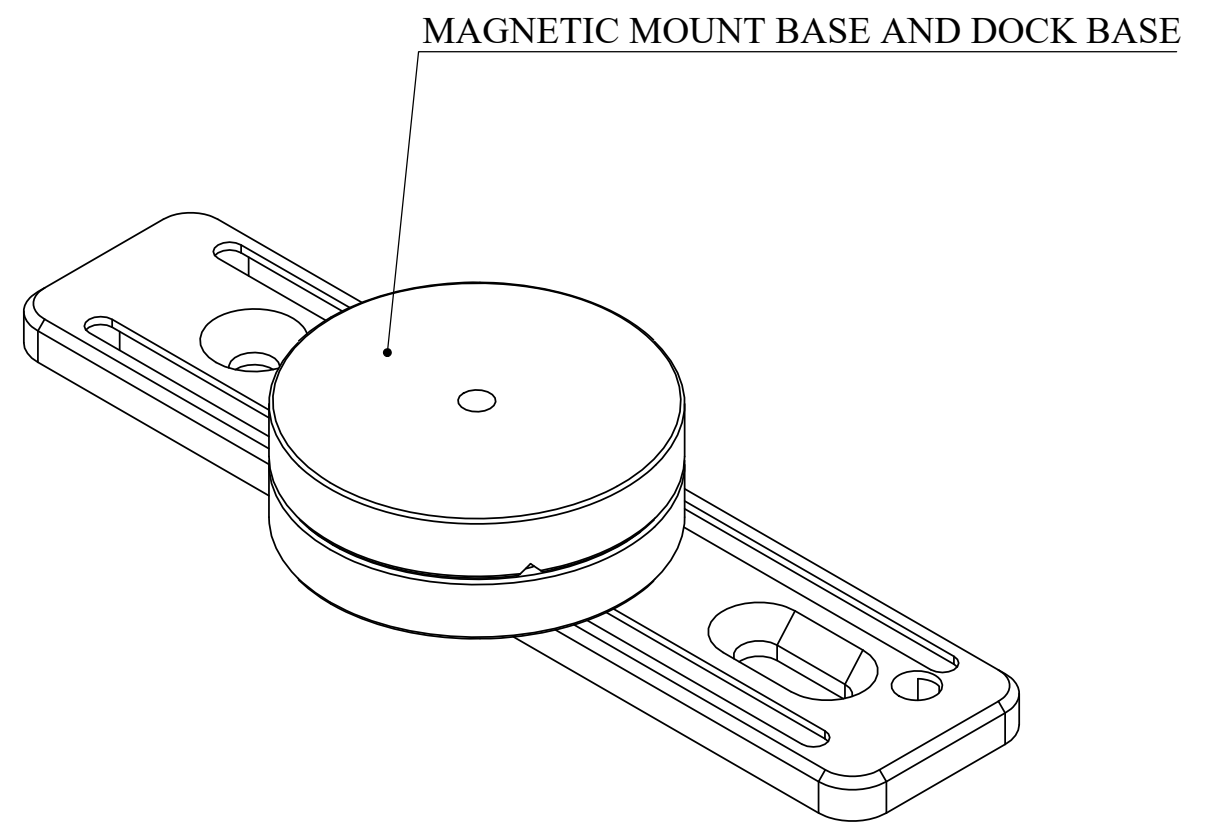
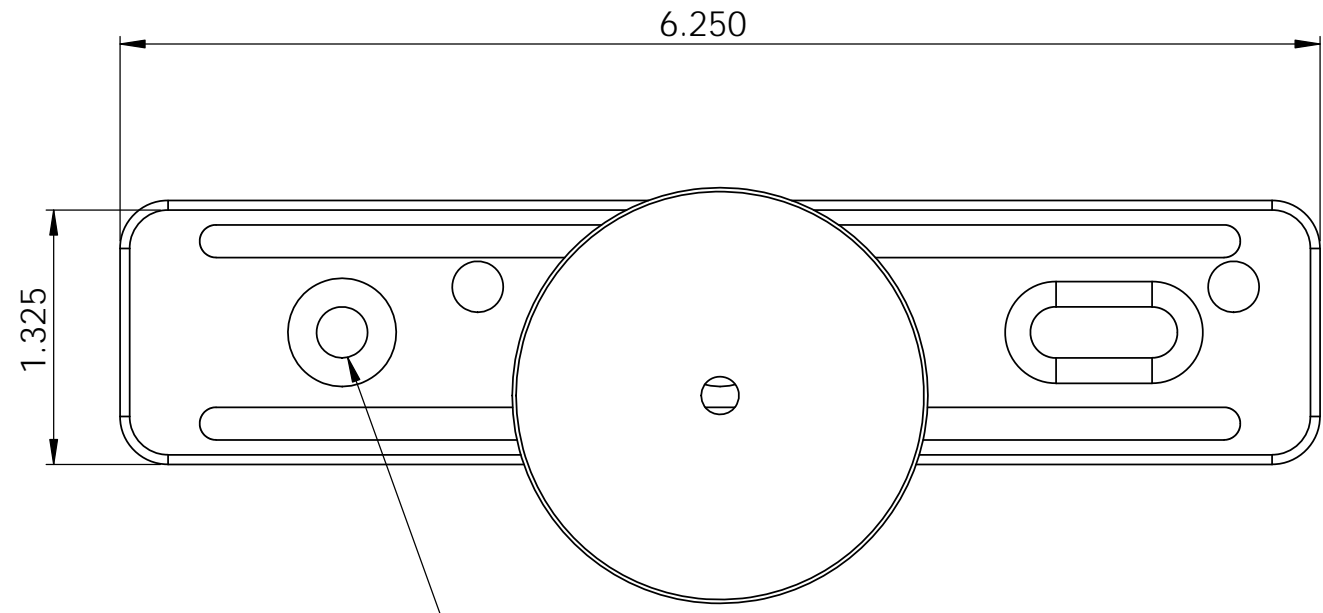


No. COMPONENTS IN ASSLY	OP1	OP2	OP3	OP4	OP5	OP6	1
-------------------------	-----	-----	-----	-----	-----	-----	---



PrymeFix
fixturing solutions

155 PRAIRIE LAKE RD, SUITE A
EAST DUNDEE, IL 60118
847.428.7122

FILE NAME
K11-PRY-STD-001

DIRECTORY
P:\Manufacturing\PrymeFix Product Line\K11 Kinematic Dock Mount\K11-PRY-STD-001\

PROPRIETARY AND CONFIDENTIAL

THE INFORMATION CONTAINED IN THIS DRAWING IS THE SOLE PROPERTY OF PRYMETECH. ANY REPRODUCTION IN PART OR AS A WHOLE WITHOUT THE WRITTEN PERMISSION OF PRYMETECH IS PROHIBITED.

1		UNLESS OTHERWISE SPECIFIED	DRAWN BY: RD	DATE 7/16/2013		
2			TITLE: K11-PRY-STD-001 KINEMATIC DOCK MOUNT SYSTEM			
3						
4			FRACTIONAL $\pm .003$ ANGULAR: ± 1.0 TWO PLACE DECIMAL $\pm .010$ THREE PLACE DECIMAL $\pm .003$ FOUR PLACE DECIMAL $\pm .0005$ (REAM)			
5		HEAT TREAT	No Pcs to Complete Order:			
6		MATERIAL				
7		FINISH	SIZE B	DWG. NO. K11-PRY-STD-001	REV 0	
REVISION HISTORY			INCH UNITS	SCALE: 1:1	WEIGHT:	SHEET 11 OF 14