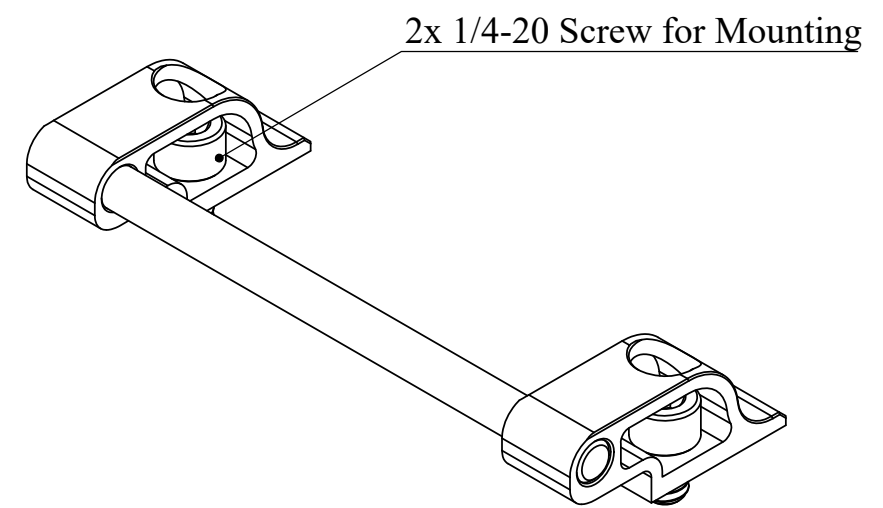
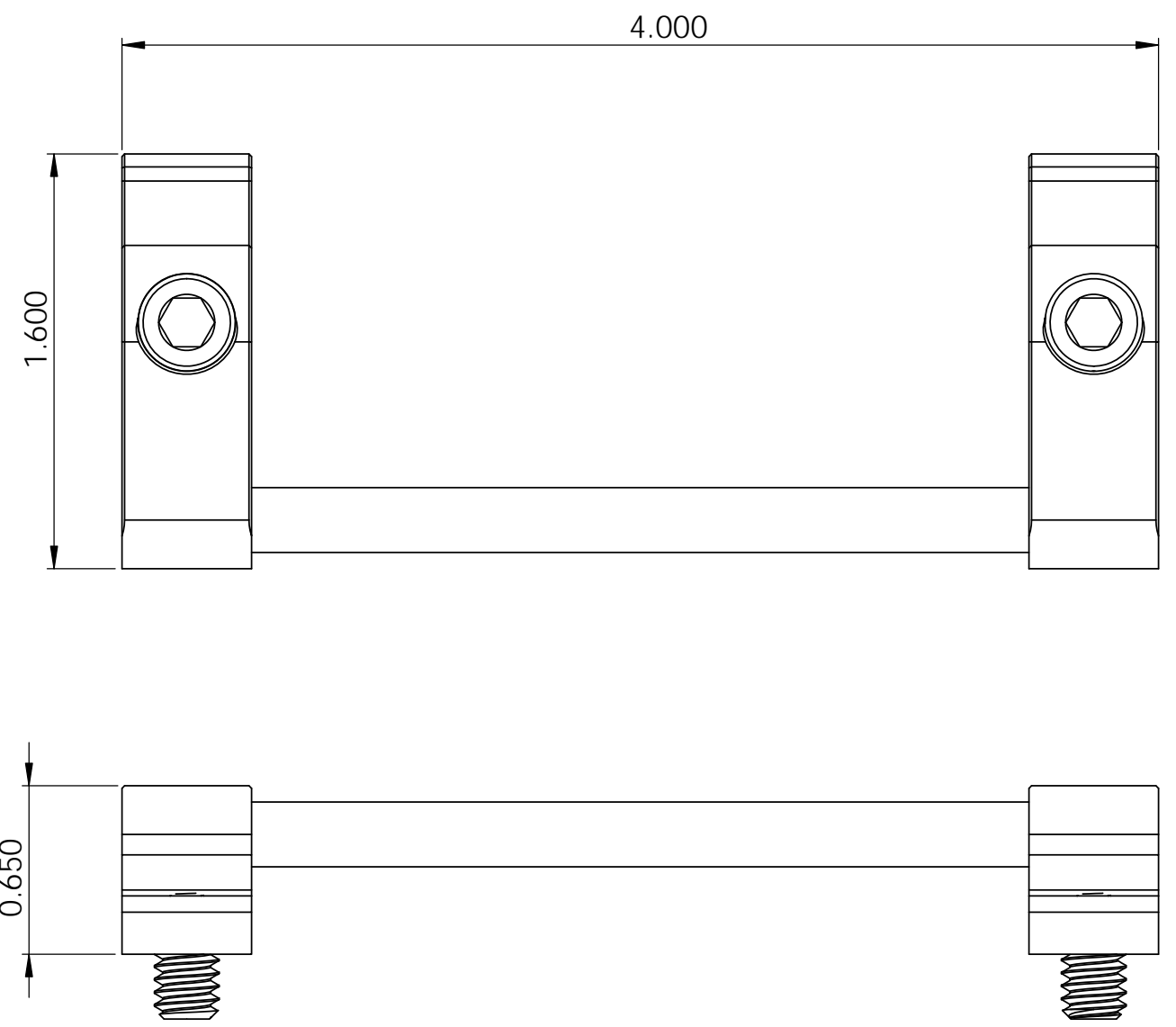


8	7	6	5	4	3	2	1
No. COMPONENTS IN ASSLY <b>1</b>	OP1	OP2	OP3	OP4	OP5	OP6	



**PrymeFix**  
fixturing solutions

155 PRAIRIE LAKE RD, SUITE A  
EAST DUNDEE, IL 60118  
847.428.7122

FILE NAME  
H11-PYF-STD-001 4in

DIRECTORY  
P:\Manufacturing\PrymeFix Product Line\H11 Handles\H11-PYF-STD-001\

**PROPRIETARY AND CONFIDENTIAL**

THE INFORMATION CONTAINED IN THIS DRAWING IS THE SOLE PROPERTY OF PRYMEFIX. ANY REPRODUCTION IN PART OR AS A WHOLE WITHOUT THE WRITTEN PERMISSION OF PRYMEFIX IS PROHIBITED.

1		UNLESS OTHERWISE SPECIFIED	DRAWN BY:	<b>RD</b>	DATE	7/25/2013
2			TITLE: <b>H11-PRY-STD-001 LOW PROFILE HANDLE</b>			
3			FRACTIONAL $\pm .003$ ANGULAR: $\pm 1.0$ TWO PLACE DECIMAL $\pm .010$ THREE PLACE DECIMAL $\pm .003$ FOUR PLACE DECIMAL $\pm .0005$ (REAM)	No Pcs to Complete Order:		
4			HEAT TREAT			
5		MATERIAL	<b>Material &lt;not specified&gt;</b>			
6		FINISH				
7		REVISION HISTORY	INCH UNITS			
			SCALE: 1:1	WEIGHT: 0.09	SHEET 4 OF 4	

SIZE **B** DWG. NO. H11-PYF-STD-001 PRINTS REV **0**

D  
C  
B  
A

D  
C  
B  
A