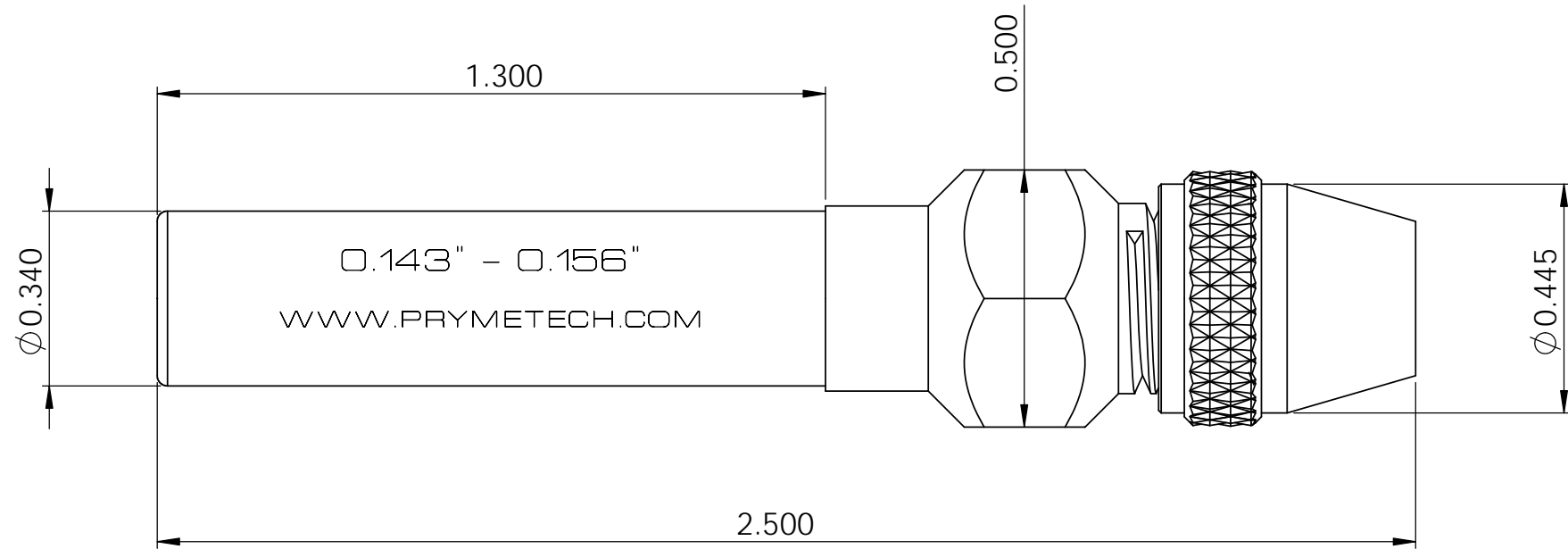


8	7	6	5	4	3	2	1
No. COMPONENTS IN ASSLY	OP1	OP2	OP3	OP4	OP5	OP6	
1							



AVAILABLE WITH PIN HOLDING RANGES:

- G12-PRY-STD-0600: (**0.126" - 0.142"**)
- G12-PRY-STD-0700: (**0.143" - 0.156"**)
- G12-PRY-STD-0800: (**0.157" - 0.172"**)
- G12-PRY-STD-0900: (**0.173" - 0.188"**)
- G12-PRY-STD-1000: (**0.189" - 0.204"**)
- G12-PRY-STD-1100: (**0.205" - 0.219"**)
- G12-PRY-STD-1200: (**0.220" - 0.250"**)



155 PRAIRIE LAKE RD, SUITE A
EAST DUNDEE, IL 60118
847.428.7122

FILE NAME	G12-PRY-STD-600 CAP ASM
DIRECTORY	P:\Manufacturing\PrymeFix Product Line\G11 Gage Pin Holders\G12-PRY-STD-0600\

PROPRIETARY AND CONFIDENTIAL

THE INFORMATION CONTAINED IN THIS DRAWING IS THE SOLE PROPERTY OF PRYMETECH. ANY REPRODUCTION IN PART OR AS A WHOLE WITHOUT THE WRITTEN PERMISSION OF PRYMETECH IS PROHIBITED.

1		UNLESS OTHERWISE SPECIFIED	DRAWN BY: AK	DATE: 9/5/2014	
2		FRACTIONAL $\pm .003$ ANGULAR: ± 1.0 TWO PLACE DECIMAL $\pm .010$ THREE PLACE DECIMAL $\pm .003$ FOUR PLACE DECIMAL $\pm .0005$ (REAM)	TITLE: G12-PRY-STD-600 CAP ASM		
3		HEAT TREAT N/A			No Pcs to Complete Order:
4		MATERIAL Material <not specified>			
5		FINISH N/A	SIZE B	DWG. NO. G12-PRY-STD-XXXX Prints	
6			REV 0		
7			SCALE: 2:1	WEIGHT: 0.01	
REVISION HISTORY			INCH UNITS	SHEET 4 OF 4	