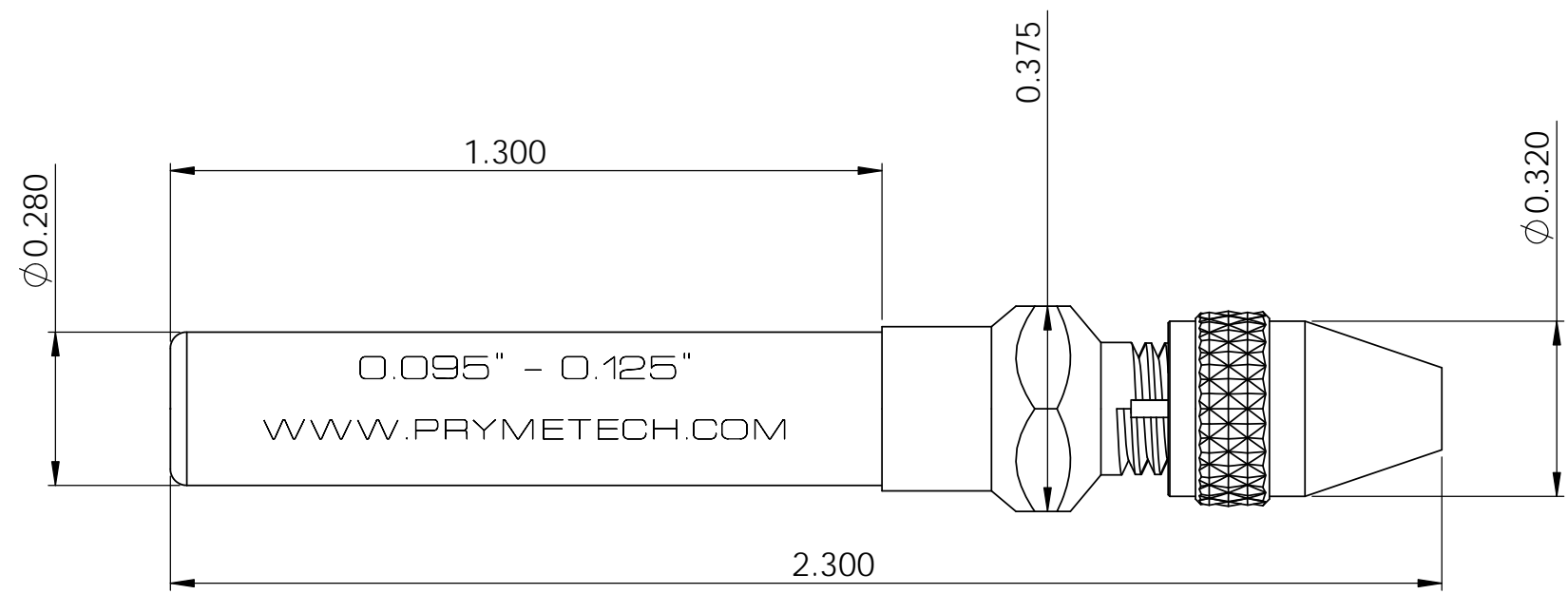


8	7	6	5	4	3	2	1
No. COMPONENTS IN ASSLY	OP1	OP2	OP3	OP4	OP5	OP6	
1							



AVAILABLE WITH PIN HOLDING RANGES:
G11-PRY-STD-0100: (0.000" - 0.018")
G11-PRY-STD-0200: (0.019" - 0.035")
G11-PRY-STD-0300: (0.036" - 0.063")
G11-PRY-STD-0400: (0.064" - 0.094")
G11-PRY-STD-0500: (0.095" - 0.125")



155 PRAIRIE LAKE RD, SUITE A
 EAST DUNDEE, IL 60118
 847.428.7122

FILE NAME	G11-PRY-STD-0100 CAP ASM
DIRECTORY	P:\Manufacturing\PrymeFix Product Line\G11 Gage Pin Holders\G11-PRY-STD-0100\

PROPRIETARY AND CONFIDENTIAL

THE INFORMATION CONTAINED IN THIS DRAWING IS THE SOLE PROPERTY OF PRYMETECH. ANY REPRODUCTION IN PART OR AS A WHOLE WITHOUT THE WRITTEN PERMISSION OF PRYMETECH IS PROHIBITED.

1		UNLESS OTHERWISE SPECIFIED	DRAWN BY: AK	DATE: 9/5/2014
2		FRACTIONAL ± .003 ANGULAR: ± 1.0 TWO PLACE DECIMAL ± .010 THREE PLACE DECIMAL ± .003 FOUR PLACE DECIMAL ± .0005 (REAM)	TITLE: G11-PRY-STD-0100 CAP ASM	
3		HEAT TREAT N/A		
4		MATERIAL Material <not specified>	SIZE B	DWG. NO. G11-PRY-STD-XXXX Prints
5		FINISH N/A	REV 0	
REVISION HISTORY			SCALE: 3:1	WEIGHT: 0.01
			SHEET 4 OF 4	