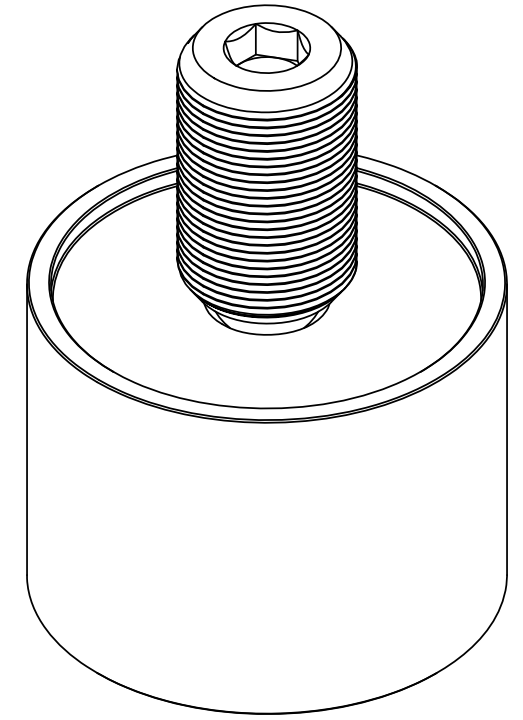
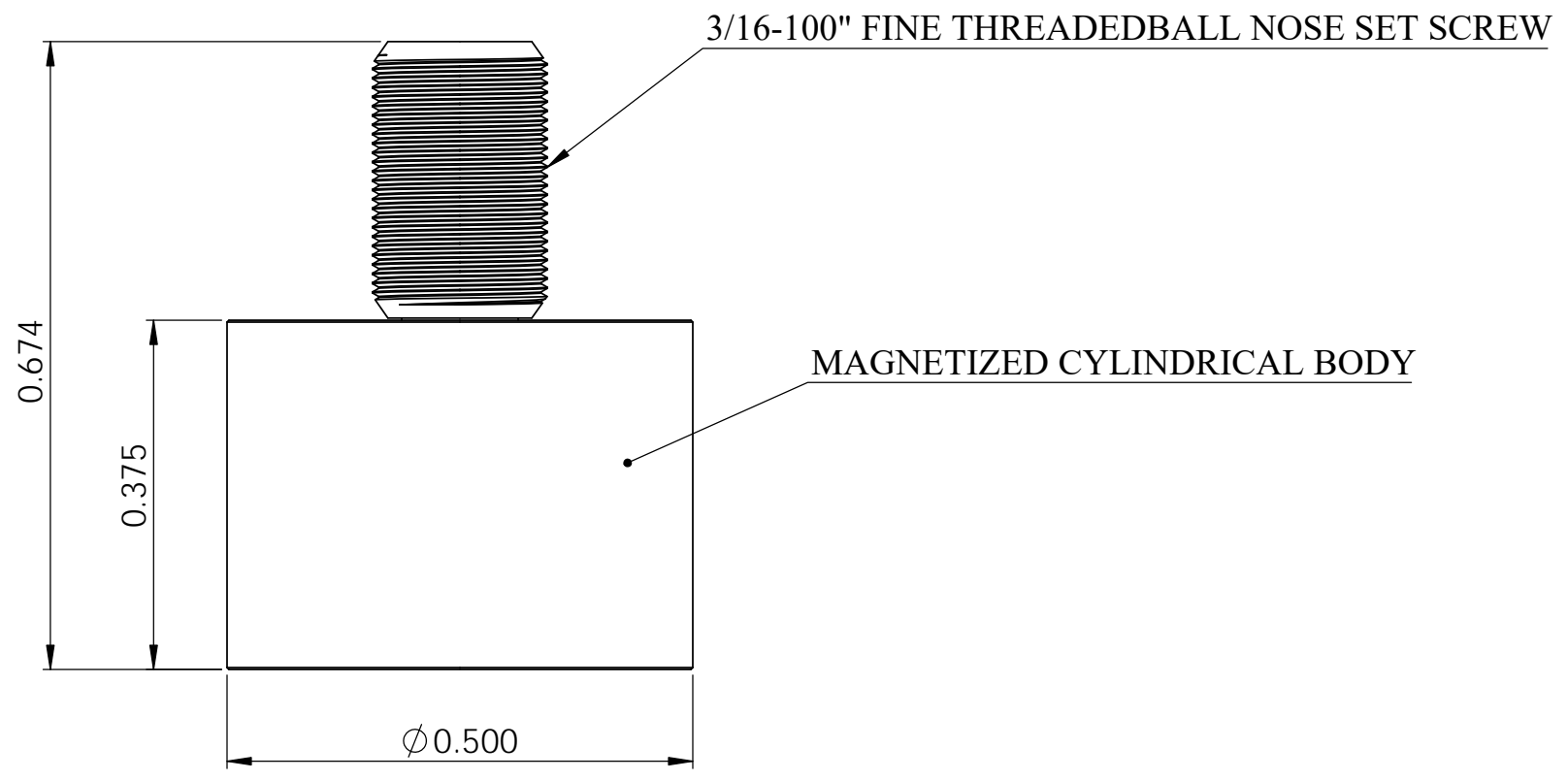


No. COMPONENTS IN ASSLY	OP1	OP2	OP3	OP4	OP5	OP6	1
1							



PrymeFix
fixturing solutions

155 PRAIRIE LAKE RD, SUITE A
EAST DUNDEE, IL 60118
847.428.7122

FILE NAME
F15-PRY-STD-001

DIRECTORY
P:\Manufacturing\PrymeFix Product Line\F11 Adjustable Foot\F15-PRY-STD-002\

PROPRIETARY AND CONFIDENTIAL

THE INFORMATION CONTAINED IN THIS DRAWING IS THE SOLE PROPERTY OF PRYMEFIX. ANY REPRODUCTION IN PART OR AS A WHOLE WITHOUT THE WRITTEN PERMISSION OF PRYMEFIX IS PROHIBITED.

1		UNLESS OTHERWISE SPECIFIED	DRAWN BY: RD	DATE 12/20/2013	
2		FRACTIONAL ± .003 ANGULAR: ± 1.0 TWO PLACE DECIMAL ± .010 THREE PLACE DECIMAL ± .003 FOUR PLACE DECIMAL ± .0005 (REAM)	TITLE: 3/16-100 FINE ADJUSTABLE FOOT		
3					
4		HEAT TREAT N/A	No Pcs to Complete Order:		
5		MATERIAL Alloy Steel (SS)			
6		FINISH POLISHED			
7			SIZE B	DWG. NO. F15-PRY-STD-001 PRINT	REV 0
REVISION HISTORY		INCH UNITS	SCALE: 5:1	WEIGHT: 0.02	SHEET 3 OF 3

D
C
B
A

D
C
B
A