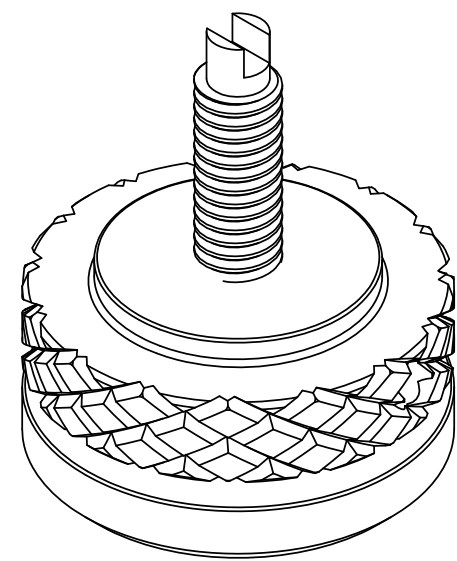
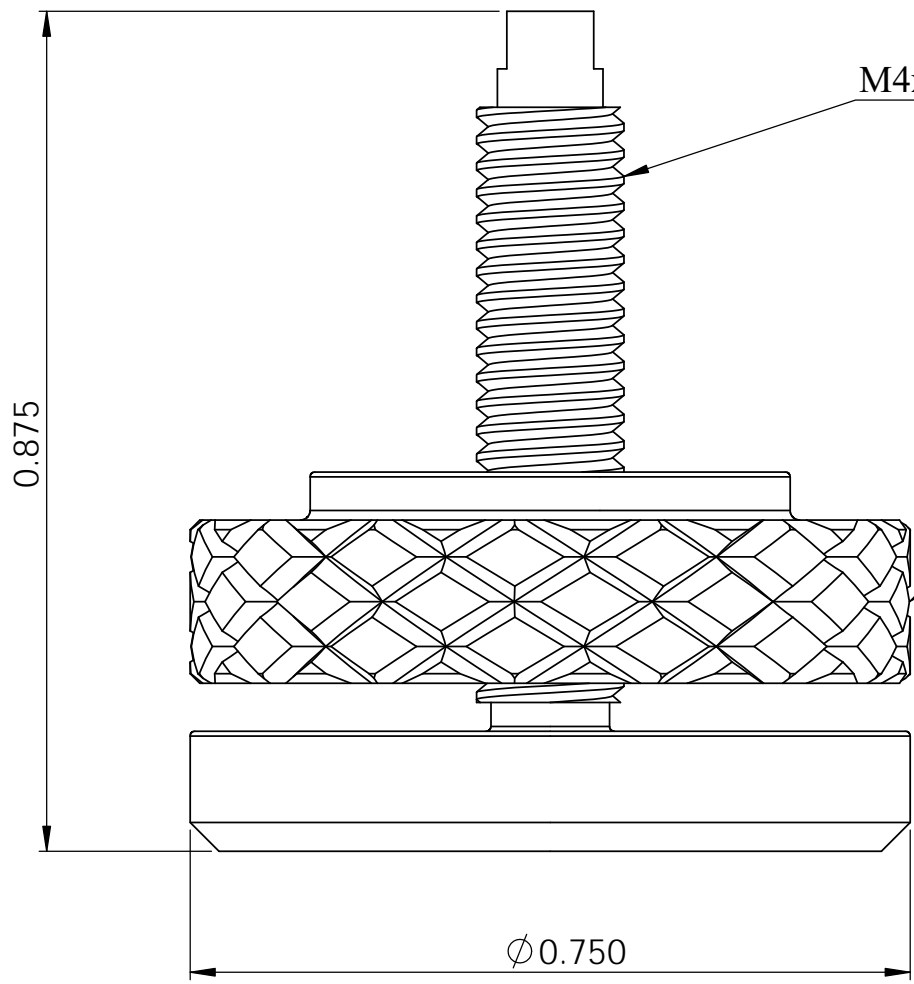


8	7	6	5	4	3	2	1
No. COMPONENTS IN ASSLY	OP1	OP2	OP3	OP4	OP5	OP6	
1							



PrymeFix
fixturing solutions

155 PRAIRIE LAKE RD, SUITE A
EAST DUNDEE, IL 60118
847.428.7122

FILE NAME
F11-PRY-STD-001

DIRECTORY
P:\Manufacturing\PrymeFix Product Line\F11 Adjustable Foot\F11-PRY-STD-001\

PROPRIETARY AND CONFIDENTIAL

THE INFORMATION CONTAINED IN THIS DRAWING IS THE SOLE PROPERTY OF PRYMEFIX. ANY REPRODUCTION IN PART OR AS A WHOLE WITHOUT THE WRITTEN PERMISSION OF PRYMEFIX IS PROHIBITED.

1	CHANGED THREAD TO 3/16-100 FINE	UNLESS OTHERWISE SPECIFIED	DRAWN BY: RD	DATE 7/30/2013	
2	BACK TO M4, AND 3/4" L	FRACTIONAL ± .003 ANGULAR: ± 1.0 TWO PLACE DECIMAL ± .010 THREE PLACE DECIMAL ± .003 FOUR PLACE DECIMAL ± .0005 (REAM)	TITLE: PRYMEFIX M4 FINE AJUSTABLE FOOT		
3					
4		HEAT TREAT N/A	No Pcs to Complete Order:		
5		MATERIAL SS			
6		FINISH N/A			
7			SIZE B	DWG. NO. F11-PRY-STD-001 PRINTS	REV 2
REVISION HISTORY			SCALE: 2:1	WEIGHT: 0.02	SHEET 4 OF 4