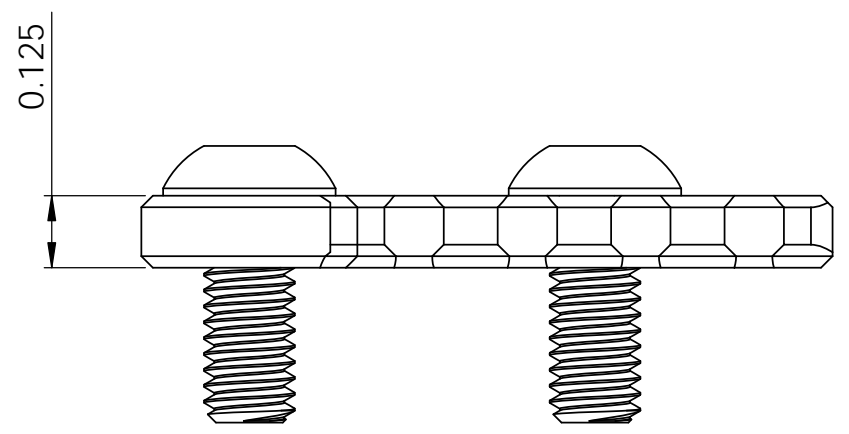
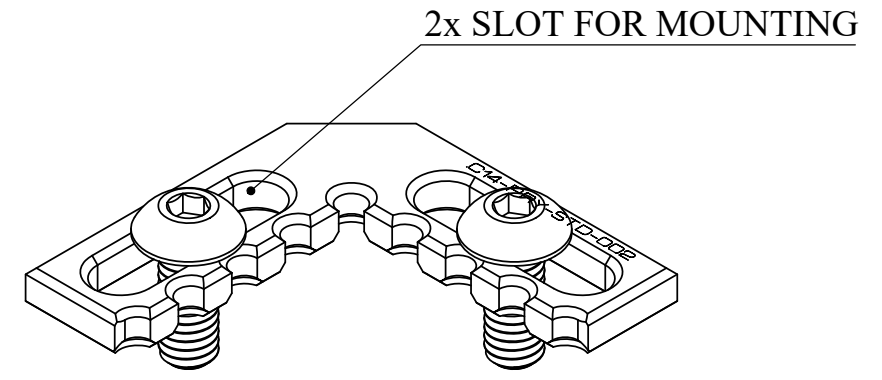
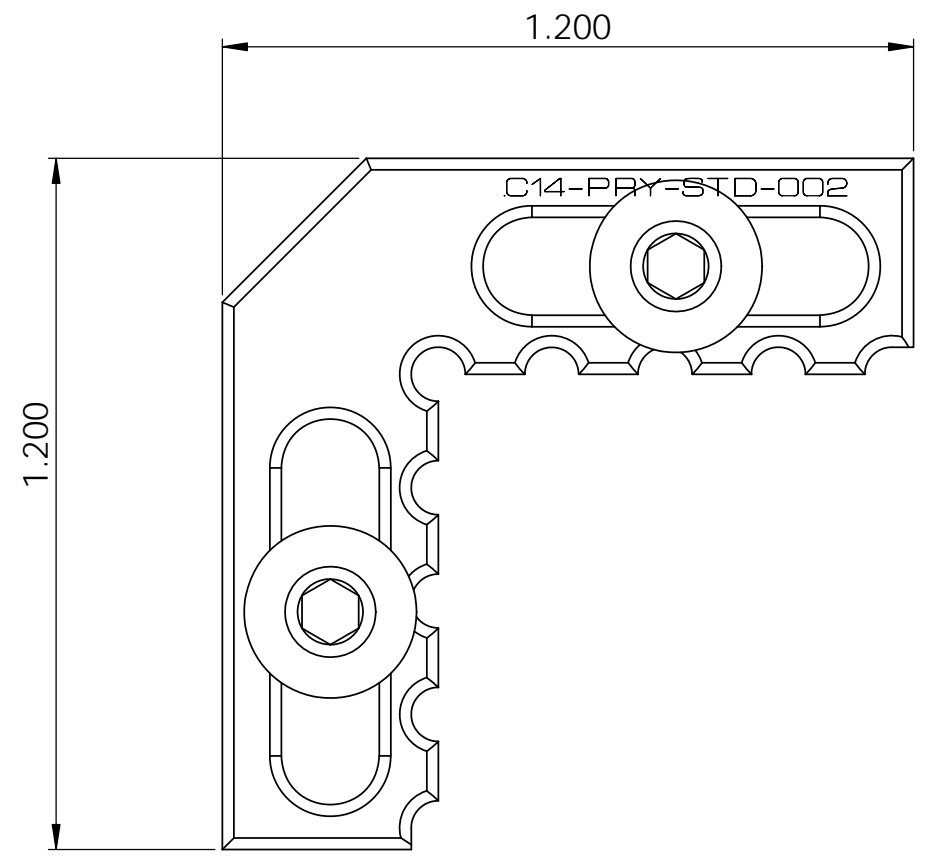


No. COMPONENTS IN ASSLY	OP1	OP2	OP3	OP4	OP5	OP6	1
1							



PrymeFix
fixturing solutions

155 PRAIRIE LAKE RD, SUITE A
EAST DUNDEE, IL 60118
847.428.7122

FILE NAME
C14-PRY-STD-002 (M4)

DIRECTORY
P:\Manufacturing\PrymeFix Product Line\C11 & N11 Corner Inserts & Nests\C14-PRY-STD-001 MICRO CORNERS\

PROPRIETARY AND CONFIDENTIAL

THE INFORMATION CONTAINED IN THIS DRAWING IS THE SOLE PROPERTY OF PRYMETECH. ANY REPRODUCTION IN PART OR AS A WHOLE WITHOUT THE WRITTEN PERMISSION OF PRYMETECH IS PROHIBITED.

1		UNLESS OTHERWISE SPECIFIED	DRAWN BY: RD	DATE: 10/10/2013
2			TITLE: M4 MICRO CORNER	
3		HEAT TREAT N/A	No Pcs to Complete Order:	
4				
5		MATERIAL 6061 Alloy	SIZE B	DWG. NO. C14-PRY-STD-XXX PRINTS
6		FINISH BLACK ANODIZED		REV 0
7			SCALE: 2:1	WEIGHT: 0.01
REVISION HISTORY		INCH UNITS	SHEET 3 OF 3	