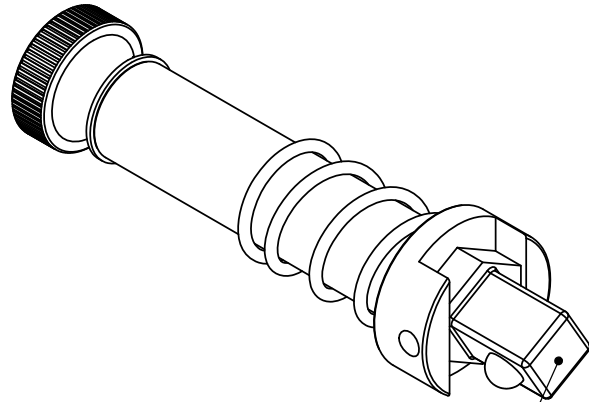
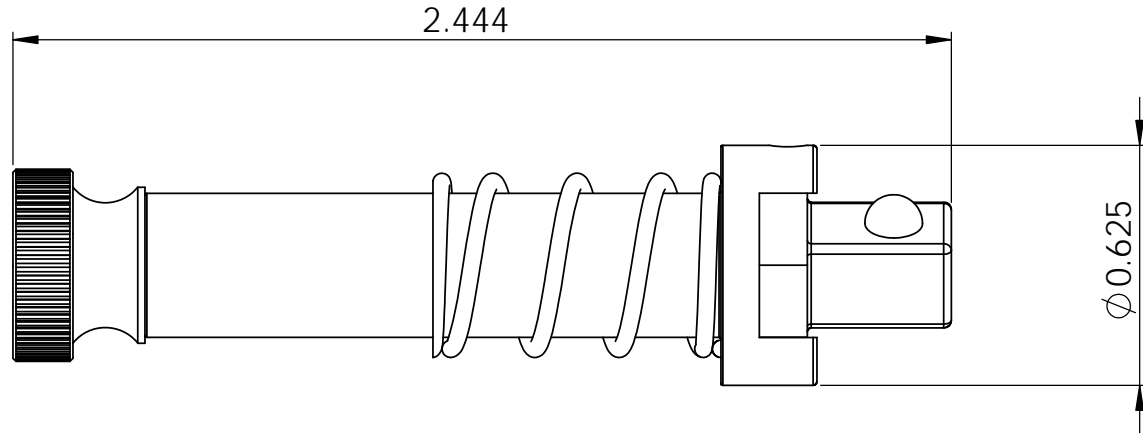


No. COMPONENTS IN ASSLY	OP1	OP2	OP3	OP4	OP5	OP6
1						



1/4" SQUARE DRIVE

**PrymeFix**  
fixturing solutions

155 PRAIRIE LAKE RD, SUITE A  
EAST DUNDEE, IL 60118  
847.428.7122

FILE NAME  
I41-PRY-STD-008

DIRECTORY  
P:\Manufacturing\PrymeFix Product Line\I11 Inserts\I41-PRY-STD-001 CENTERS INSERT\

**PROPRIETARY AND CONFIDENTIAL**

THE INFORMATION CONTAINED IN THIS DRAWING IS THE SOLE PROPERTY OF PRYMEFIX. ANY REPRODUCTION IN PART OR AS A WHOLE WITHOUT THE WRITTEN PERMISSION OF PRYMEFIX IS PROHIBITED.

1		UNLESS OTHERWISE SPECIFIED	DRAWN BY: <b>JO</b>	DATE 7/9/2018
2		FRACTIONAL $\pm .003$ ANGULAR: $\pm 1.0$ TWO PLACE DECIMAL $\pm .010$ THREE PLACE DECIMAL $\pm .003$ FOUR PLACE DECIMAL $\pm .0005$ (REAM)	TITLE: <b>ANVIL STYLE: 008</b>	
3		HEAT TREAT <b>N/A</b>		
4		MATERIAL <b>Alloy Steel (SS)</b>	SIZE <b>B</b>	DWG. NO. I42-PRY-STD-001 CENTERS INSERT TECHNICAL DRAWING
5		FINISH <b>POLISHED</b>		
6			SCALE: 1:2	WEIGHT: 0.08
7			SHEET 4 OF 5	
REVISION HISTORY			INCH UNITS	

D  
C  
B  
A

D  
C  
B  
A

8      7      6      5      4      3      2      1