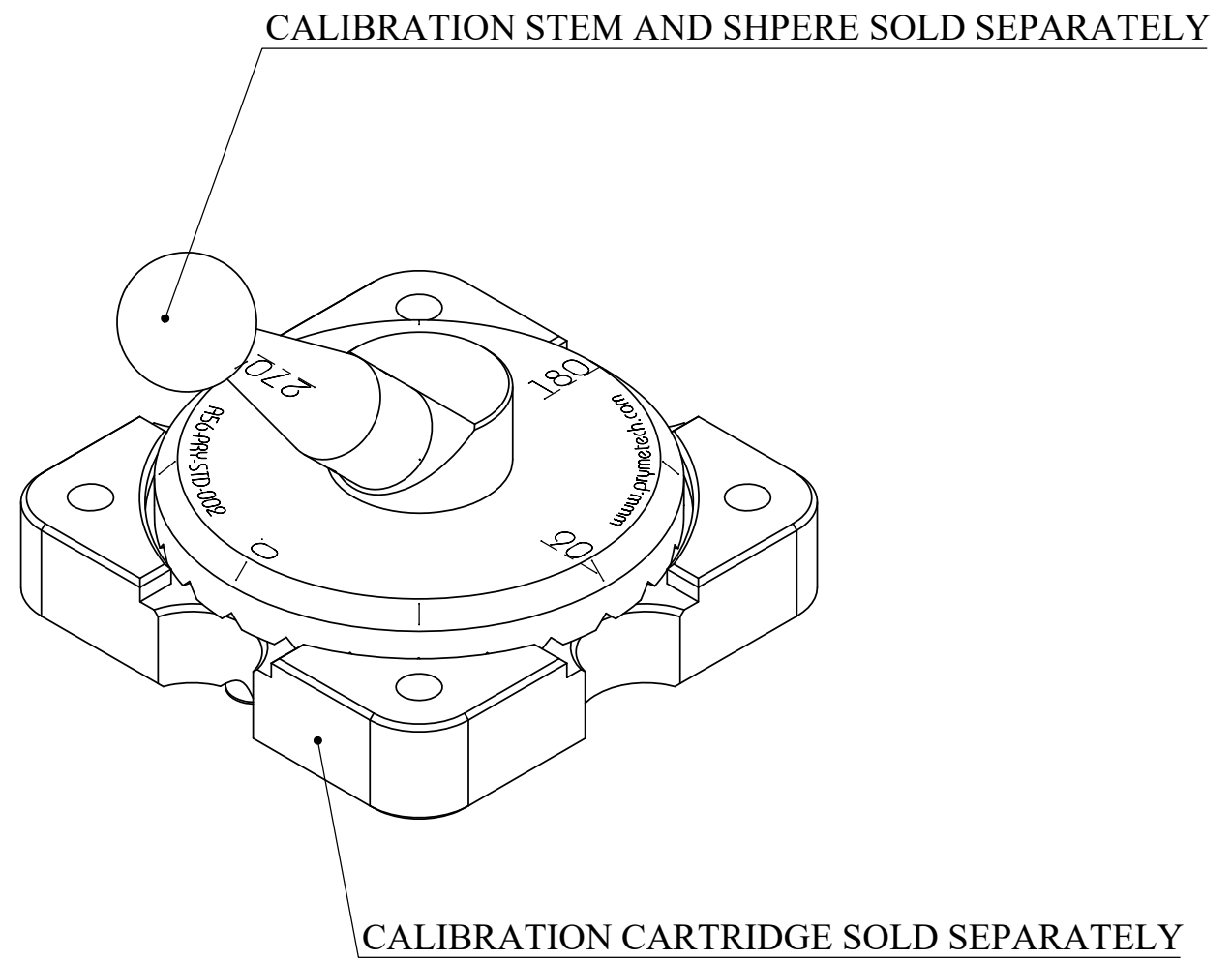
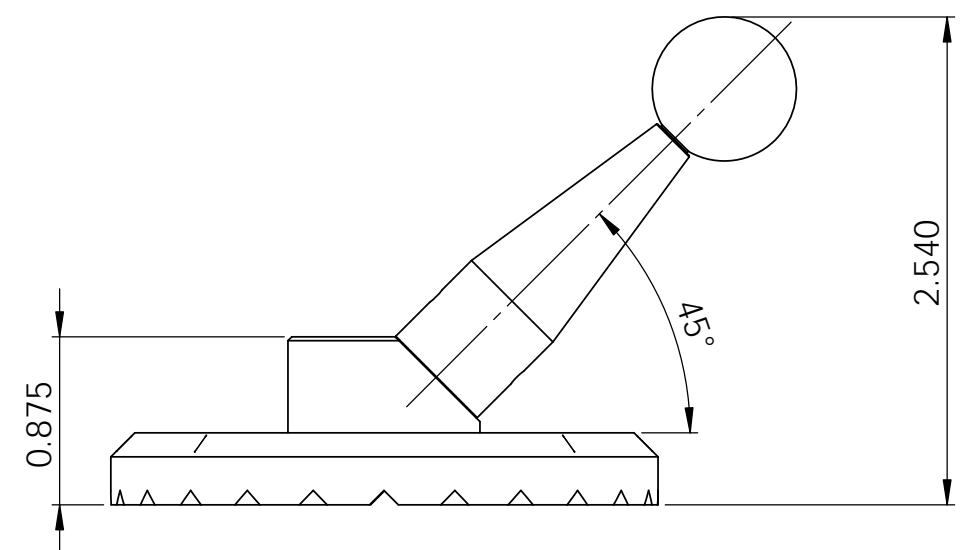
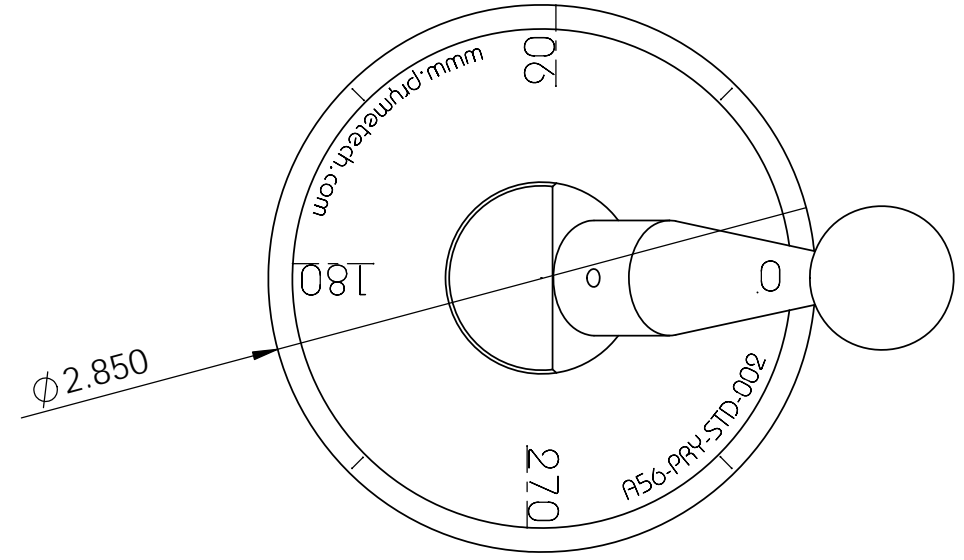


8	7	6	5	4	3	2	1
No. COMPONENTS IN ASSLY	OP1	OP2	OP3	OP4	OP5	OP6	
1							



**PrymeFix**  
fixturing solutions

155 PRAIRIE LAKE RD, SUITE A  
EAST DUNDEE, IL 60118  
847.428.7122

FILE NAME  
A56-PRY-STD-002

DIRECTORY  
P:\Manufacturing\PrymeFix Product Line\A60 Calibration Inserts\A56-PRY-STD-002 45 Deg Base\

**PROPRIETARY AND CONFIDENTIAL**

THE INFORMATION CONTAINED IN THIS DRAWING IS THE SOLE PROPERTY OF PRYMETECH. ANY REPRODUCTION IN PART OR AS A WHOLE WITHOUT THE WRITTEN PERMISSION OF PRYMETECH IS PROHIBITED.

1		UNLESS OTHERWISE SPECIFIED  FRACTIONAL: ± .003 ANGULAR: ± 1.0 TWO PLACE DECIMAL: ± .010 THREE PLACE DECIMAL: ± .003 FOUR PLACE DECIMAL: ± .0005 (REAM)	DRAWN BY: <b>RD</b>	DATE: <b>7/30/2013</b>	
2			TITLE: <b>A56-PRY-STD-002          45° CALIBRATION STEM          BASE</b>		
3					
4			HEAT TREAT: <b>N/A</b>	No Pcs to Complete Order:	
5			MATERIAL: <b>1117 STEEL</b>		
6			FINISH: <b>GREY POWDER</b>		
7				SIZE: <b>B</b>	DWG. NO.: <b>A56-PRY-STD-002 PRINT</b>
REVISION HISTORY		INCH UNITS	SCALE: 1:1	WEIGHT: 0.98	SHEET 2 OF 2