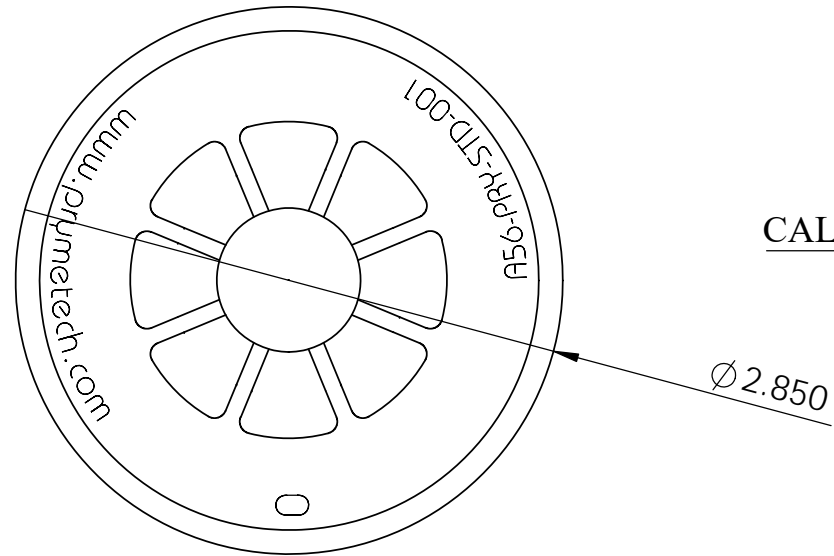
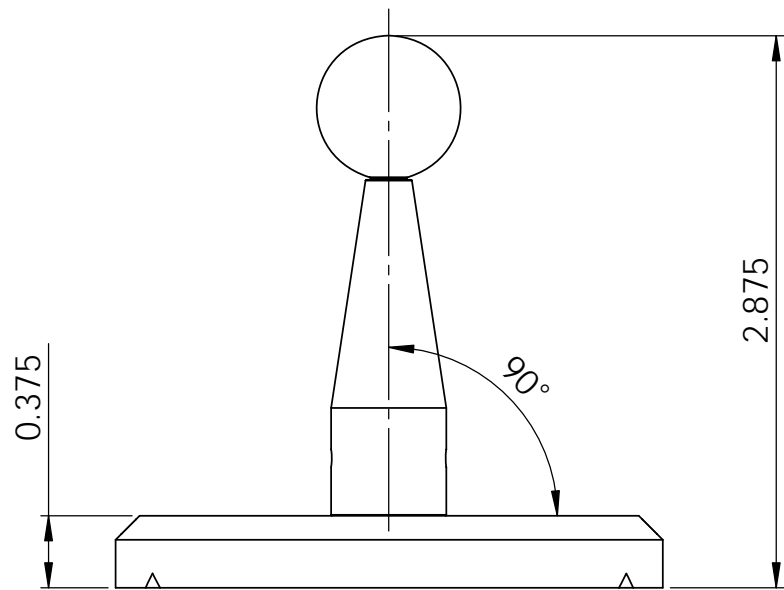


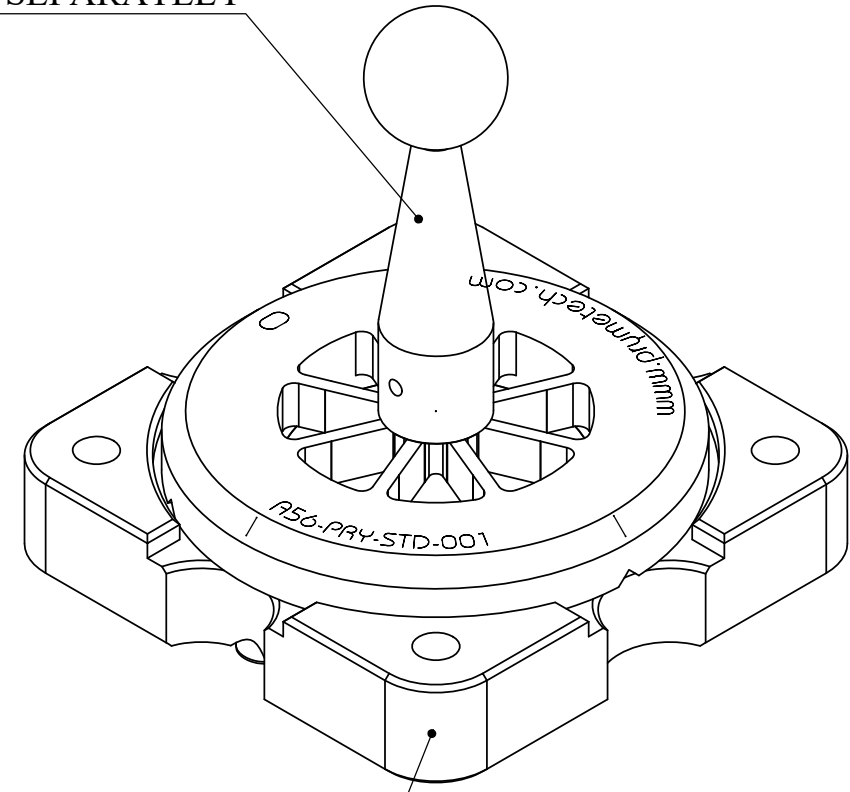
8	7	6	5	4	3	2	1
No. COMPONENTS IN ASSLY	OP1	OP2	OP3	OP4	OP5	OP6	
1							



CALIBRATION STEM AND SPHERE SOLD SEPARATELY



CALIBRATION CARTRIDGE SOLD SEPARATELY



PrymeFix
fixturing solutions

155 PRAIRIE LAKE RD, SUITE A
EAST DUNDEE, IL 60118
847.428.7122

FILE NAME
A56-PRY-STD-001 ZERO DEG

DIRECTORY
P:\Manufacturing\PrymeFix Product Line\A60 Calibration Inserts\A56-PRY-STD-001 Zero Deg Base\

PROPRIETARY AND CONFIDENTIAL

THE INFORMATION CONTAINED IN THIS DRAWING IS THE SOLE PROPERTY OF PRYMEFIX. ANY REPRODUCTION IN PART OR AS A WHOLE WITHOUT THE WRITTEN PERMISSION OF PRYMEFIX IS PROHIBITED.

1		UNLESS OTHERWISE SPECIFIED	DRAWN BY: RD	DATE: 7/30/2013
2			TITLE: A56-PRY-STD-001 90° CALIBRATION STEM BASE	
3		HEAT TREAT N/A	No Pcs to Complete Order:	
4				
5		MATERIAL 1117 Steel	SIZE B	DWG. NO. A56-PRY-STD-000 CAL SPHERE PRINTS
6		FINISH GREY POWDER		REV 0
7		REVISION HISTORY	SCALE: 1:1	WEIGHT: 0.77
			INCH UNITS	SHEET 5 OF 5